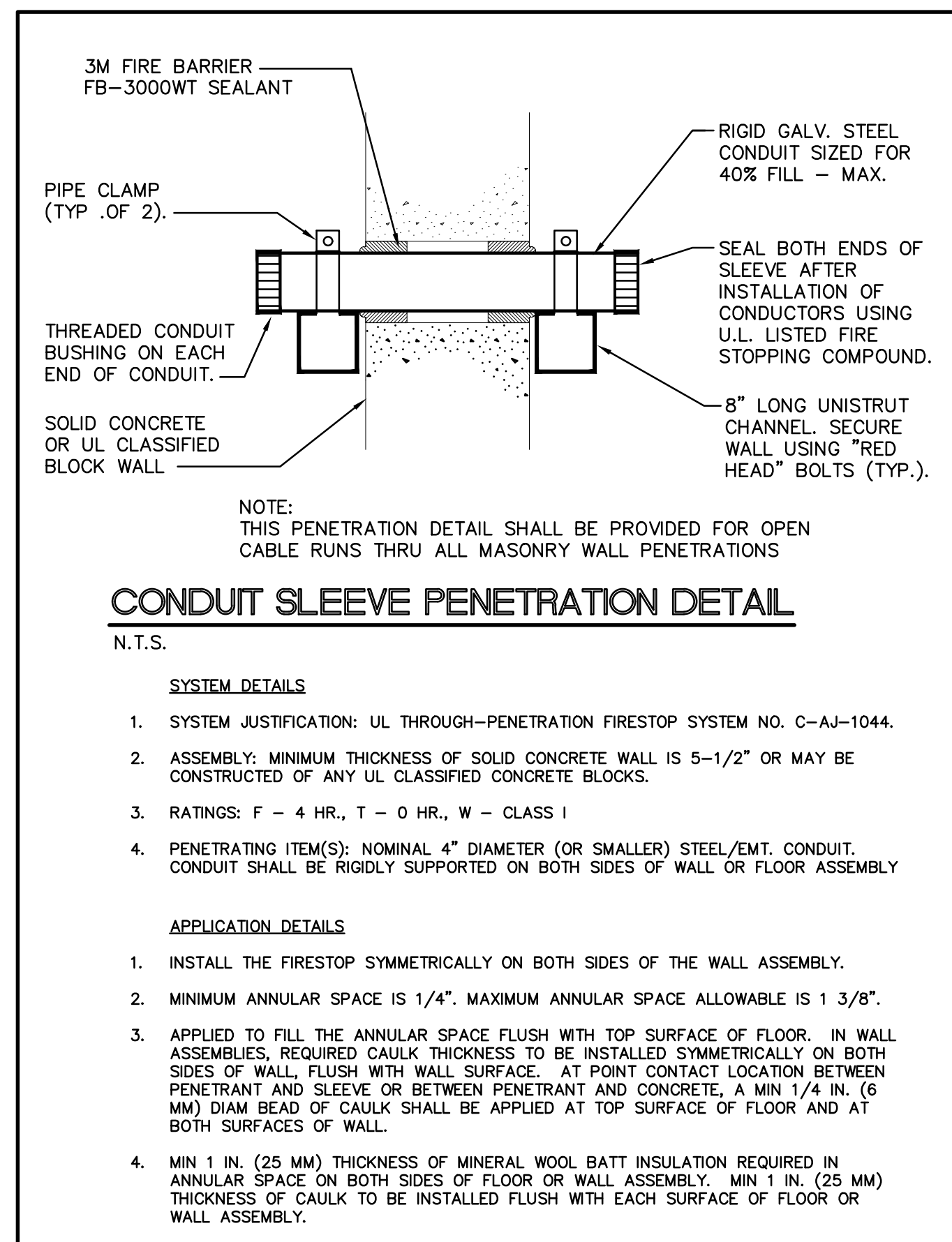


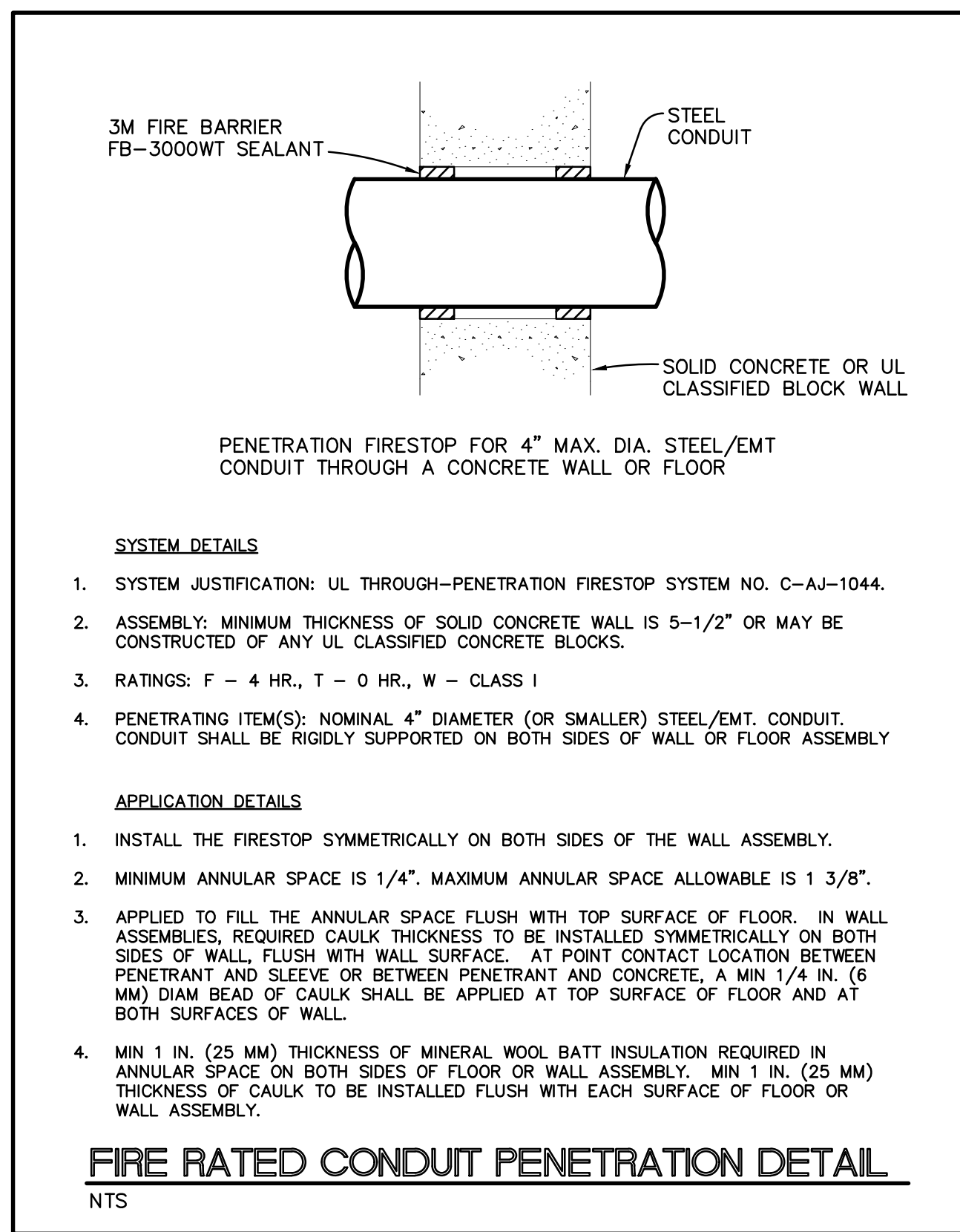
- ### GENERAL ELECTRICAL INSTALLATION NOTES
1. THE ENCLOSURE MOUNTING HARDWARE PROVIDE W/THE CONTROL PANEL SHALL BE UTILIZED TO MAINTAIN THE ENCLOSURE RATING (NEMA TYPE 4 STANDARD).
 2. ALL CONDUIT CONNECTIONS TO THE CONTROL PANEL SHOULD ENTER THROUGH THE BOTTOM OF THE ENCLOSURE. ANY CONDUIT ENTRIES IN THE SIDE OR TOP OF THE ENCLOSURE WILL VOID THE WARRANTY.
 3. UTILIZE SHIELDED CABLE WHERE INDICATED ON THE SCHEMATIC PROVIDED WITH THE DOOR. FAILURE TO USE SHIELDED CABLE MAY RESULT IN IMPROPER OPERATION OR PREMATURE FAILURE AND WILL VOID WARRANTY.
 4. INSTALL ALL LOW VOLTAGE (< 50V) WIRING IN METALLIC CONDUIT SEPARATE FROM MOTOR/BRAKE AND OTHER HIGH VOLTAGE WIRING. FAILURE TO SEPARATE HIGH AND LOW VOLTAGE WILL VOID WARRANTY.
 5. DOOR PROVIDED WITH 20 FT SHIELD MOTOR CABLE AND 50 FT SHIELDED ENCODER CABLE (STANDARD).
 6. IF SPLICING OF ENCODER CABLE IS NECESSARY, MAINTAIN SHIELDING AT SPLICE.
 7. THIS DETAIL OUTLINES THE GENERAL ELECTRICAL REQUIREMENTS FOR THE "HSRD" TYPE. REFER TO ELECTRICAL SCHEMATIC PROVIDED WITH THE DOOR FOR COMPLETE REQUIREMENTS.

TYPICAL "HSRD" ELECTRICAL SCHEMATIC
SCALE: N.T.S.



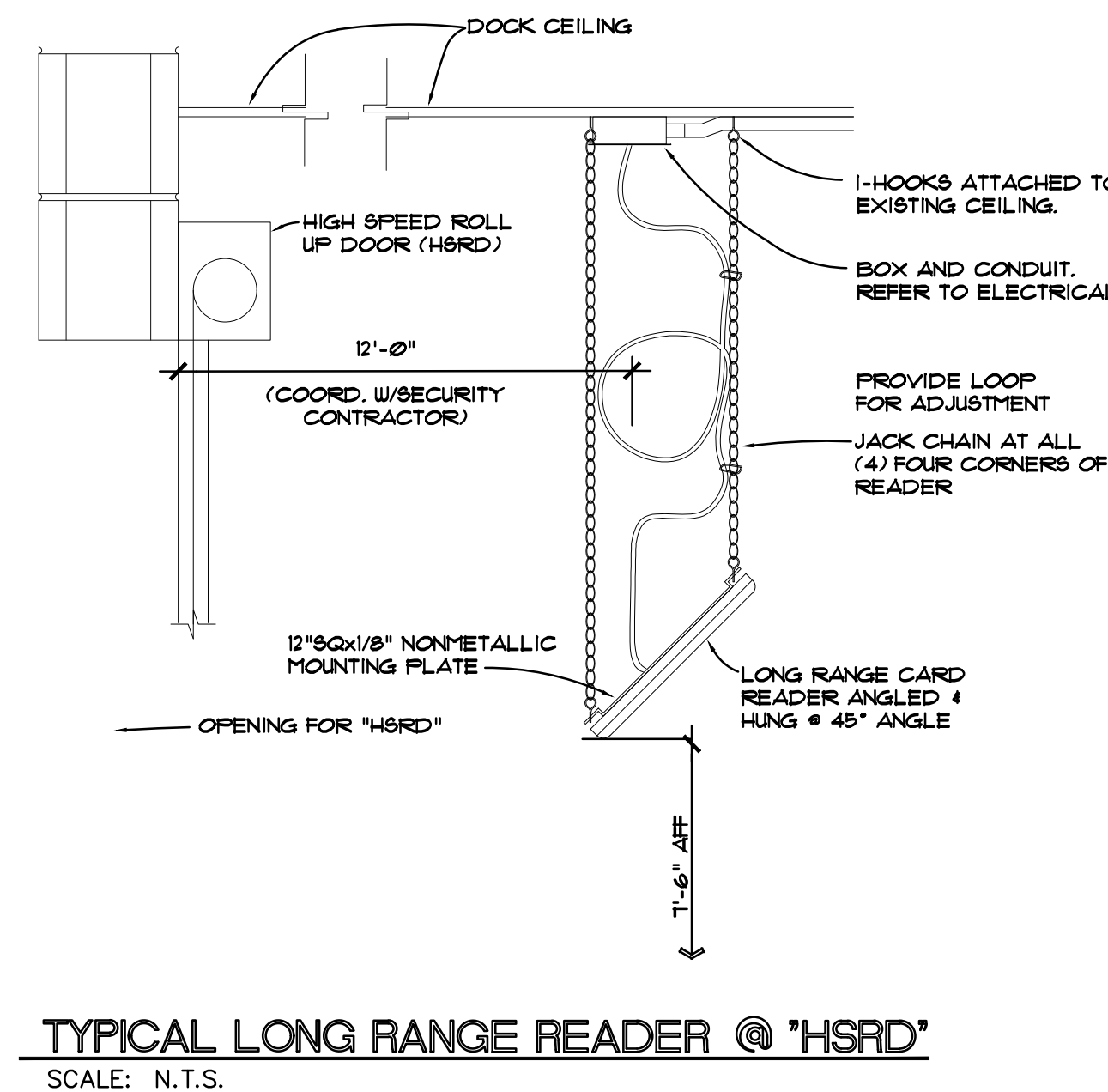
CONDUIT SLEEVE PENETRATION DETAIL

- N.T.S.
- SYSTEM DETAILS**
1. SYSTEM JUSTIFICATION: UL THROUGH-PENETRATION FIRESTOP SYSTEM NO. C-AJ-1044.
 2. ASSEMBLY: MINIMUM THICKNESS OF SOLID CONCRETE WALL IS 5-1/2" OR MAY BE CONSTRUCTED OF ANY UL CLASSIFIED CONCRETE BLOCKS.
 3. RATINGS: F - 4 HR., T - 0 HR., W - CLASS I
 4. PENETRATING ITEM(S): NOMINAL 4" DIAMETER (OR SMALLER) STEEL/EMT. CONDUIT. CONDUIT SHALL BE RIGIDLY SUPPORTED ON BOTH SIDES OF WALL OR FLOOR ASSEMBLY.
- APPLICATION DETAILS**
1. INSTALL THE FIRESTOP SYMMETRICALLY ON BOTH SIDES OF THE WALL ASSEMBLY.
 2. MINIMUM ANNULAR SPACE IS 1/4". MAXIMUM ANNULAR SPACE ALLOWABLE IS 1 3/8".
 3. APPLIED TO FILL THE ANNULAR SPACE FLUSH WITH TOP SURFACE OF FLOOR. IN WALL ASSEMBLIES, REQUIRED CAULK THICKNESS TO BE INSTALLED SYMMETRICALLY ON BOTH SIDES OF WALL, FLUSH WITH WALL SURFACE. AT POINT CONTACT LOCATION BETWEEN PENETRANT AND SLEEVE OR BETWEEN PENETRANT AND CONCRETE, A MIN 1/4 IN. (6 MM) DIAM BEAD OF CAULK SHALL BE APPLIED AT TOP SURFACE OF FLOOR AND AT BOTH SURFACES OF WALL.
 4. MIN 1 IN. (25 MM) THICKNESS OF MINERAL WOOL BATT INSULATION REQUIRED IN ANNULAR SPACE ON BOTH SIDES OF FLOOR OR WALL ASSEMBLY. MIN 1 IN. (25 MM) THICKNESS OF CAULK TO BE INSTALLED FLUSH WITH EACH SURFACE OF FLOOR OR WALL ASSEMBLY.

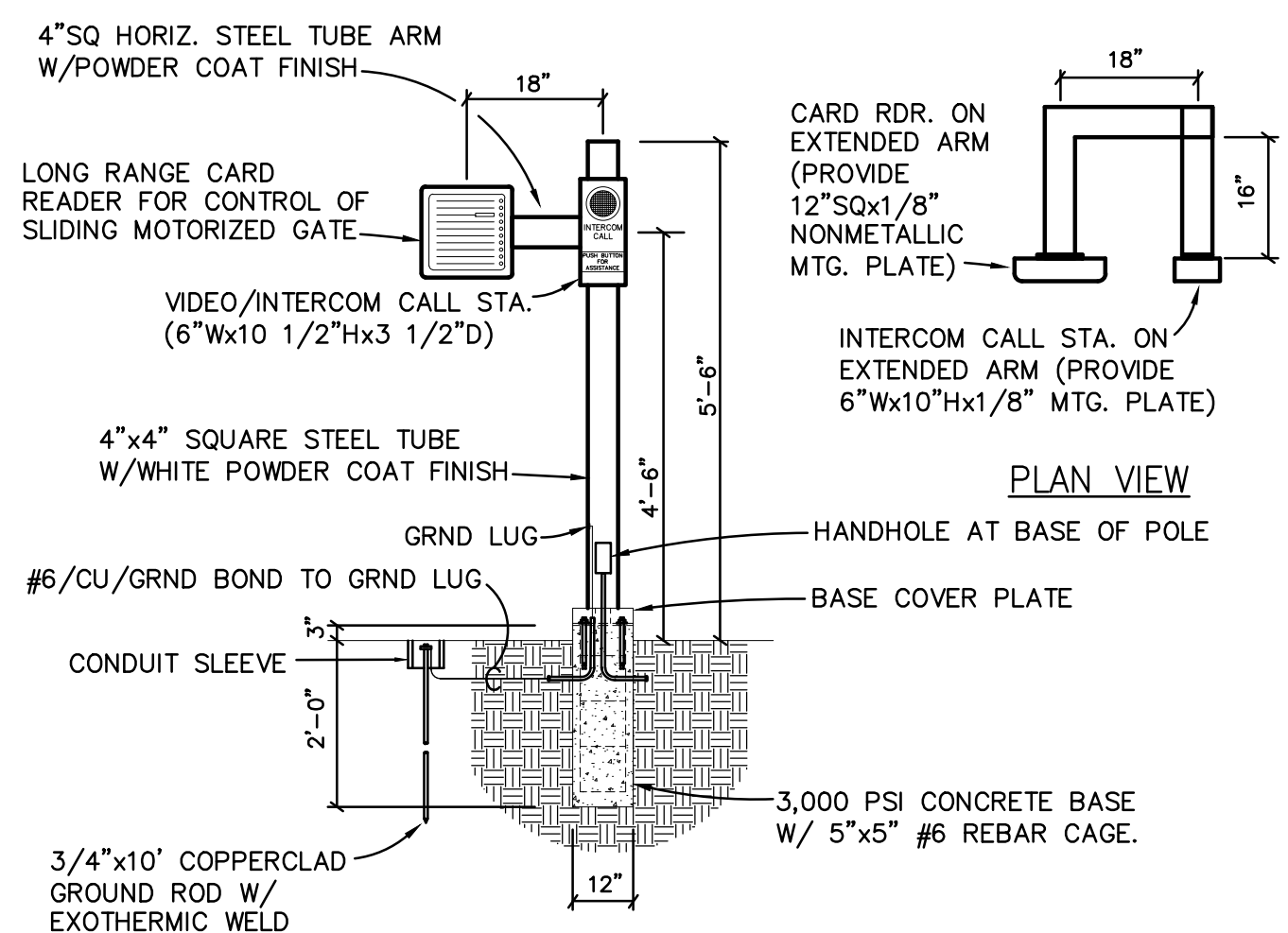


- SYSTEM DETAILS**
1. SYSTEM JUSTIFICATION: UL THROUGH-PENETRATION FIRESTOP SYSTEM NO. C-AJ-1044.
 2. ASSEMBLY: MINIMUM THICKNESS OF SOLID CONCRETE WALL IS 5-1/2" OR MAY BE CONSTRUCTED OF ANY UL CLASSIFIED CONCRETE BLOCKS.
 3. RATINGS: F - 4 HR., T - 0 HR., W - CLASS I
 4. PENETRATING ITEM(S): NOMINAL 4" DIAMETER (OR SMALLER) STEEL/EMT. CONDUIT. CONDUIT SHALL BE RIGIDLY SUPPORTED ON BOTH SIDES OF WALL OR FLOOR ASSEMBLY.
- APPLICATION DETAILS**
1. INSTALL THE FIRESTOP SYMMETRICALLY ON BOTH SIDES OF THE WALL ASSEMBLY.
 2. MINIMUM ANNULAR SPACE IS 1/4". MAXIMUM ANNULAR SPACE ALLOWABLE IS 1 3/8".
 3. APPLIED TO FILL THE ANNULAR SPACE FLUSH WITH TOP SURFACE OF FLOOR. IN WALL ASSEMBLIES, REQUIRED CAULK THICKNESS TO BE INSTALLED SYMMETRICALLY ON BOTH SIDES OF WALL, FLUSH WITH WALL SURFACE. AT POINT CONTACT LOCATION BETWEEN PENETRANT AND SLEEVE OR BETWEEN PENETRANT AND CONCRETE, A MIN 1/4 IN. (6 MM) DIAM BEAD OF CAULK SHALL BE APPLIED AT TOP SURFACE OF FLOOR AND AT BOTH SURFACES OF WALL.
 4. MIN 1 IN. (25 MM) THICKNESS OF MINERAL WOOL BATT INSULATION REQUIRED IN ANNULAR SPACE ON BOTH SIDES OF FLOOR OR WALL ASSEMBLY. MIN 1 IN. (25 MM) THICKNESS OF CAULK TO BE INSTALLED FLUSH WITH EACH SURFACE OF FLOOR OR WALL ASSEMBLY.

FIRE RATED CONDUIT PENETRATION DETAIL
N.T.S.

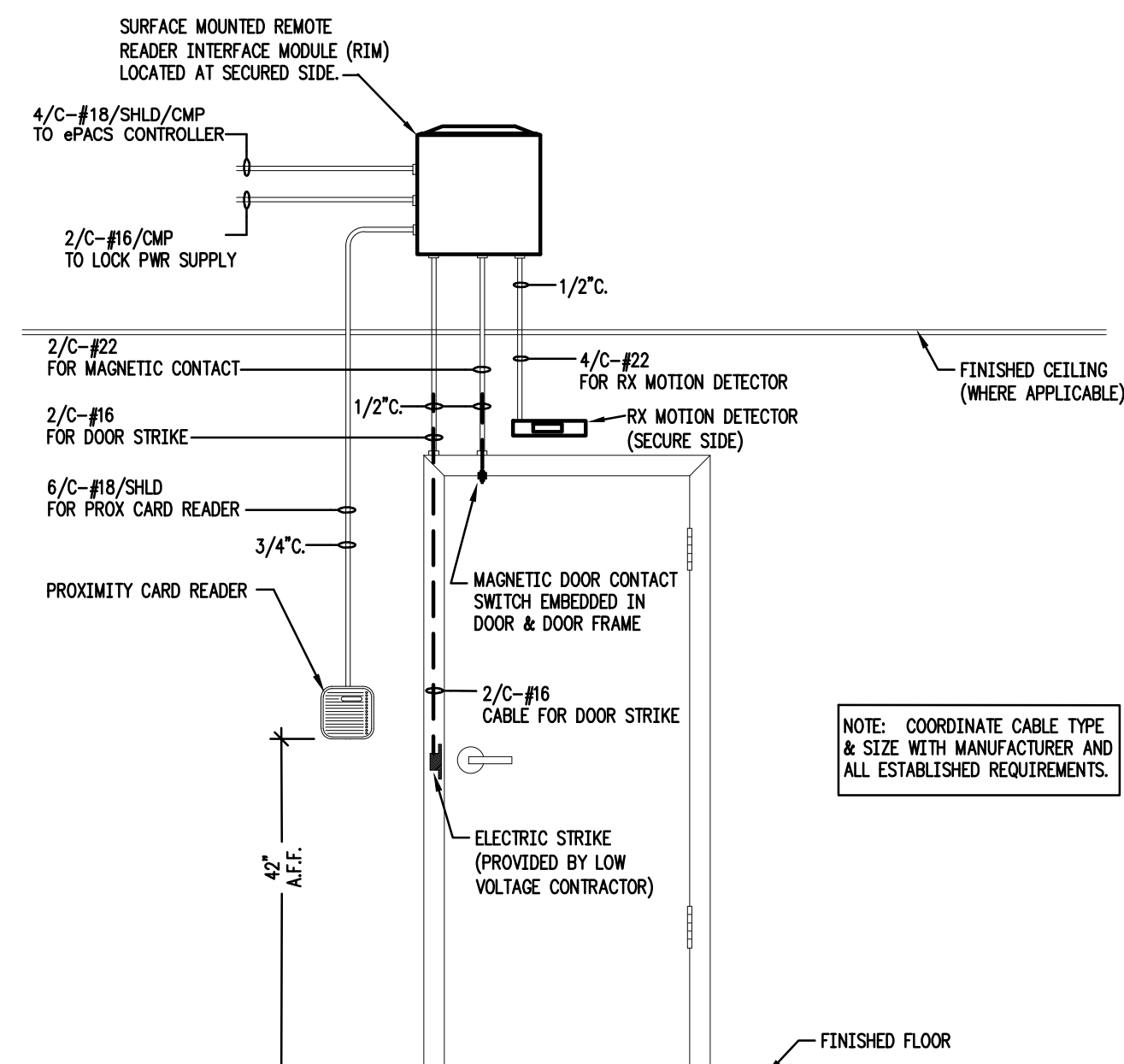


TYPICAL LONG RANGE READER @ "HSRD"
SCALE: N.T.S.



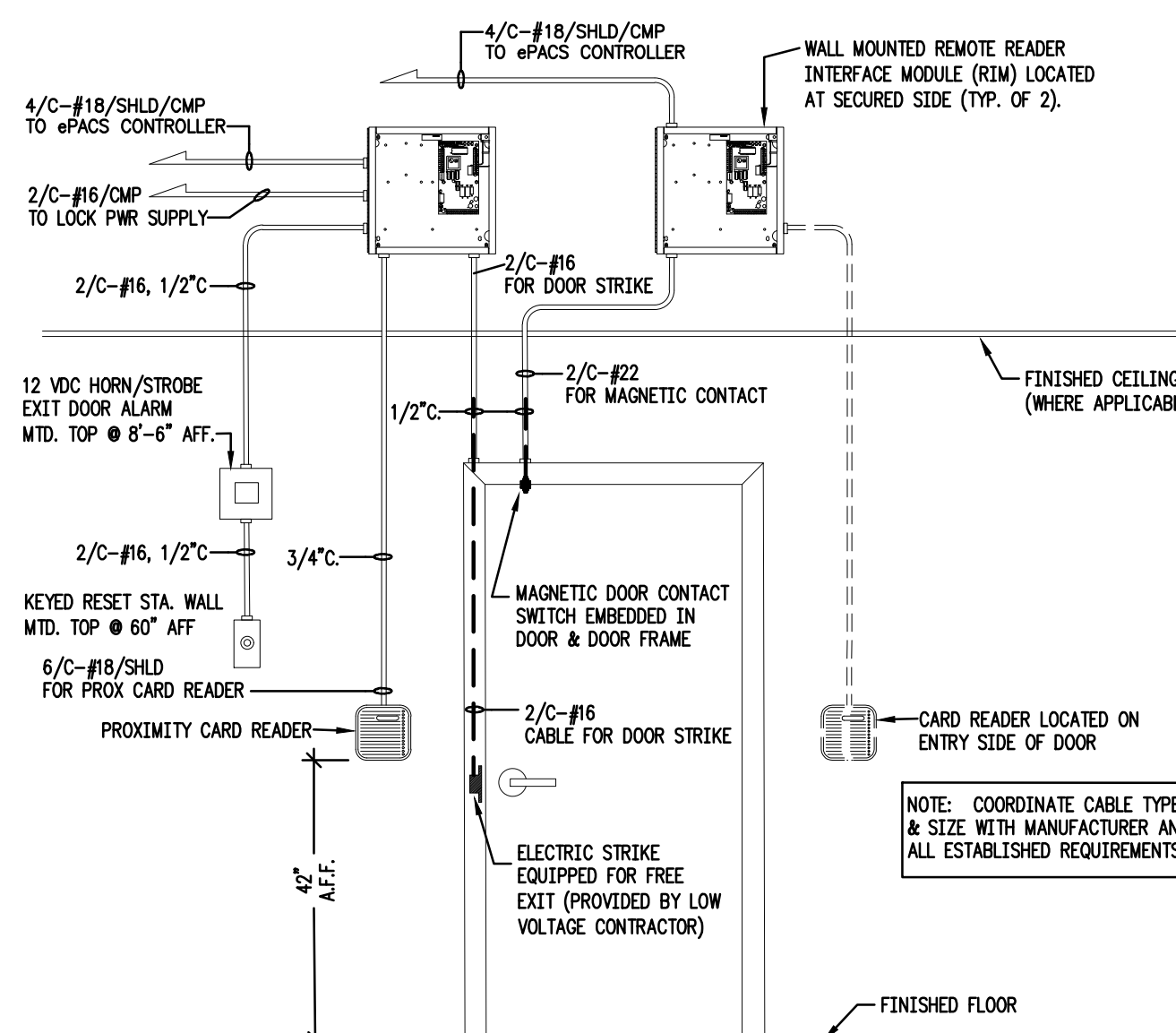
- ### NOTES
1. SUBMIT DETAILED AND COMPREHENSIVE FABRICATION DRAWINGS FOR APPROVAL. DRAWINGS SHALL INCLUDE MATERIALS, ELECT. DEVICES, DEVICE ATTACHMENT, HARDWARE SIZES, CLEARANCES, CONDUIT ENTRY, ARRANGEMENT OF ALL COMPONENTS AND OVERALL COORDINATION.
 2. ALL MOUNTING HARWARE SHALL BE STAINLESS STEEL TYPE STANDARD MACHINE THREAD. SELF-TAPPING SCREWS ARE NOT ACCEPTABLE. DRILL AND TAP ALL ATTACHMENTS.
 3. DIMENSIONS AND SIZINGS SHOWN ARE PROVIDED FOR GENERAL INTENT ONLY AND INDICATE THE RESULT TO BE ACHIEVED. ACTUAL DIMENSIONS AND SIZINGS SHALL REFLECT INDIVIDUAL SITE CONDITIONS.
 4. MOUNTING HEIGHT OF CARD RDR. & INTERCOM CALL-IN STATION ARE CRITICAL. COORDINATE THE ACTUAL MOUNTING HEIGHTS WITH ACTUAL SITE CONDITIONS.

CARD READER AT GATE "S1"
SCALE: N.T.S.



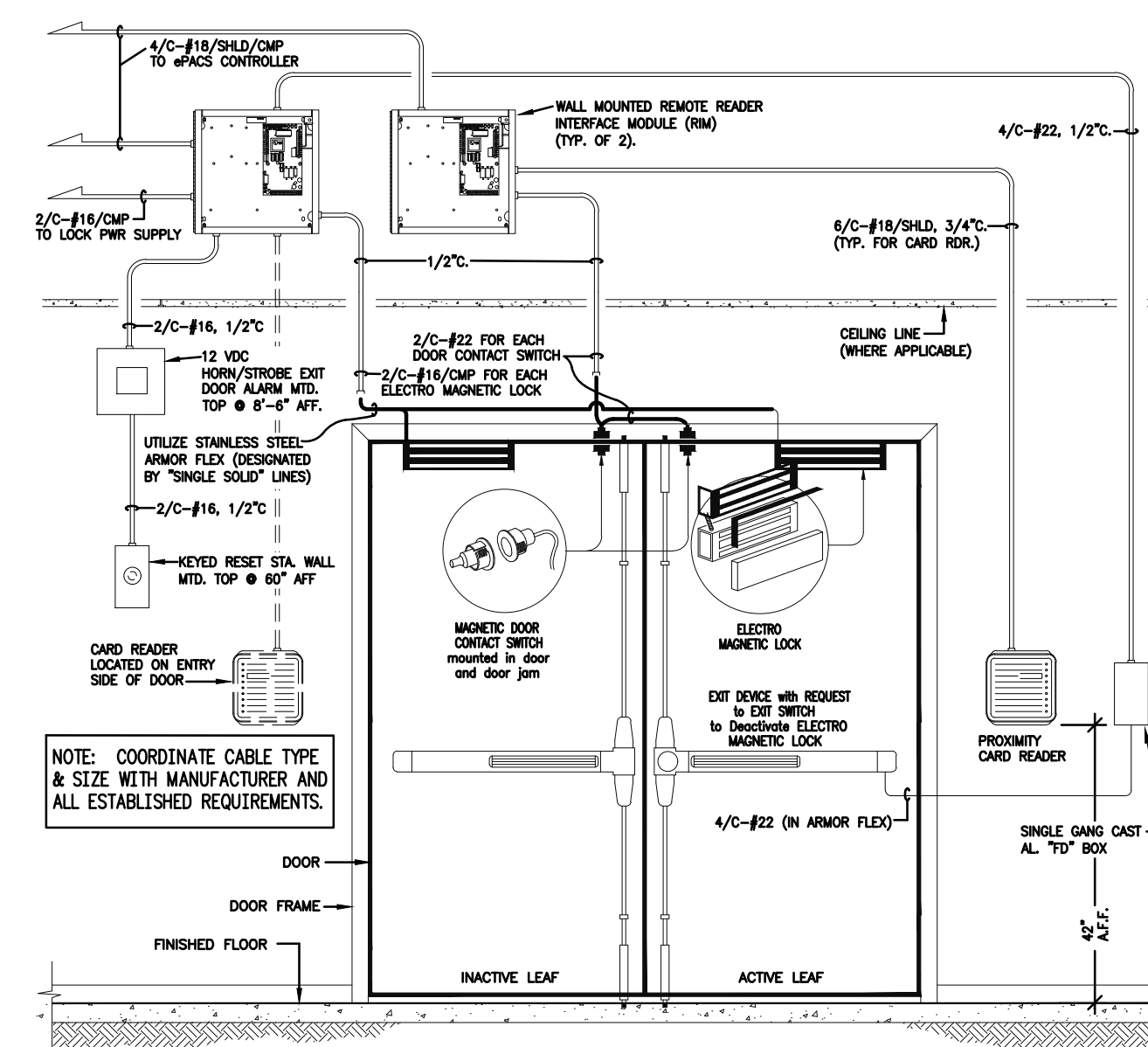
- ### NOTES
1. PROVIDE ELECTRO MAGNETIC LOCK & SURFACE MOUNTED DOOR CONTACT FOR EXIST'G. DOORS NOT PRESENTLY EQUIPPED WITH ePACS DEVICES (UNLESS OTHERWISE NOTED).

TYPICAL CARD READER - SINGLE DOOR CONFIGURATION
SCALE: N.T.S.



- ### NOTES
1. PROVIDE ELECTRO MAGNETIC LOCK & SURFACE MOUNTED DOOR CONTACT FOR EXIST'G. DOORS NOT PRESENTLY EQUIPPED WITH ePACS DEVICES (UNLESS OTHERWISE NOTED).
 2. EMERGENCY EXIT ALARM SHALL BE 12VDC, EQUIPPED WITH BATTERY BACK-UP AND PROVIDED BY THE LOW VOLTAGE SUBCONTRACTOR.

TYPICAL CARD READER - SINGLE DOOR CONFIGURATION
SCALE: N.T.S.



- ### NOTES
1. EMERGENCY EXIT ALARM SHALL BE 12VDC, EQUIPPED WITH BATTERY BACK-UP AND PROVIDED BY THE LOW VOLTAGE SUBCONTRACTOR.

TYPICAL CARD READER - DOUBLE DOOR CONFIGURATION
SCALE: N.T.S.

consultant

revisions

19013

2022-03-03

project | phase

issue date

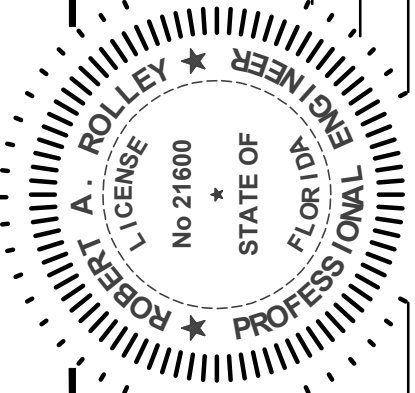
sheet name

GENERAL DETAILS

19013

2022-03-03

GENERAL DETAILS



title

FT. MYERS P&DC

SECURITY UPGRADES

14080 JETPORT LOOP

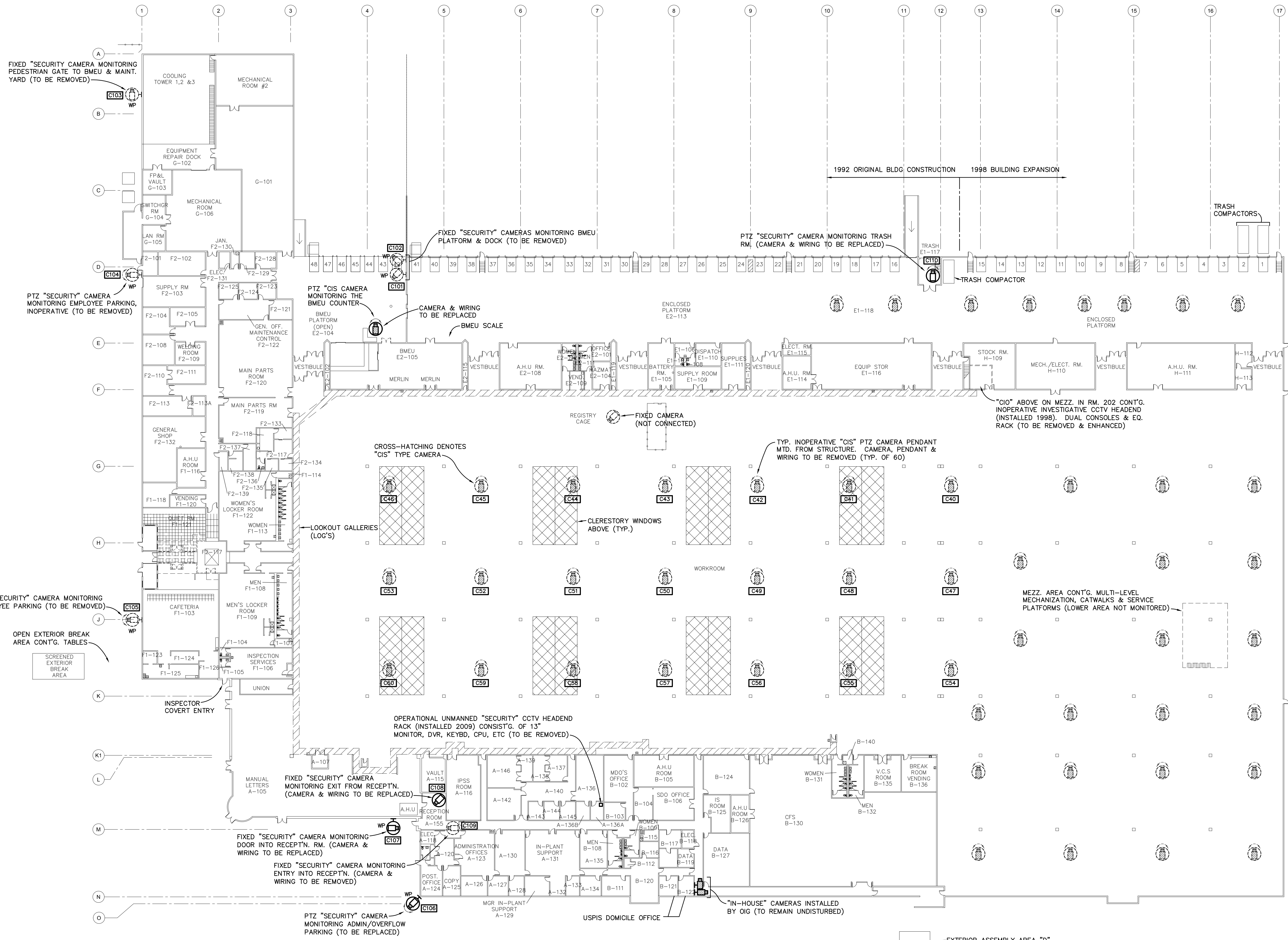
FT MYERS, FL 33913

K65332

MAG 4 INC.

1000 North Ashley Dr Suite 505 Tampa FL 33607

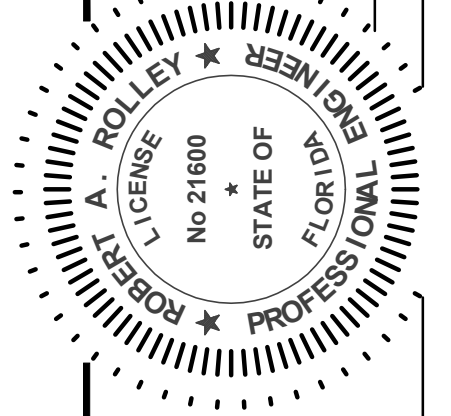
813.284.4441 ADMIN@mag4inc.com



EXISTING FLOOR PLAN - CCTV SYSTEM
 SCALE: 1" = 30'-0"

consultant
ROLLEY ENGINEERING INC.
 7759 W. Weber Avenue, Tampa, Florida 33615
 TELEPHONE: (813) 889-9333 FAX: (813) 889-9300
 www.rolley-engineering.com

revisions	project / phase	issue date	sheet name
19013		2022-03-03	EXIST'G FLOOR PLAN - CCTV

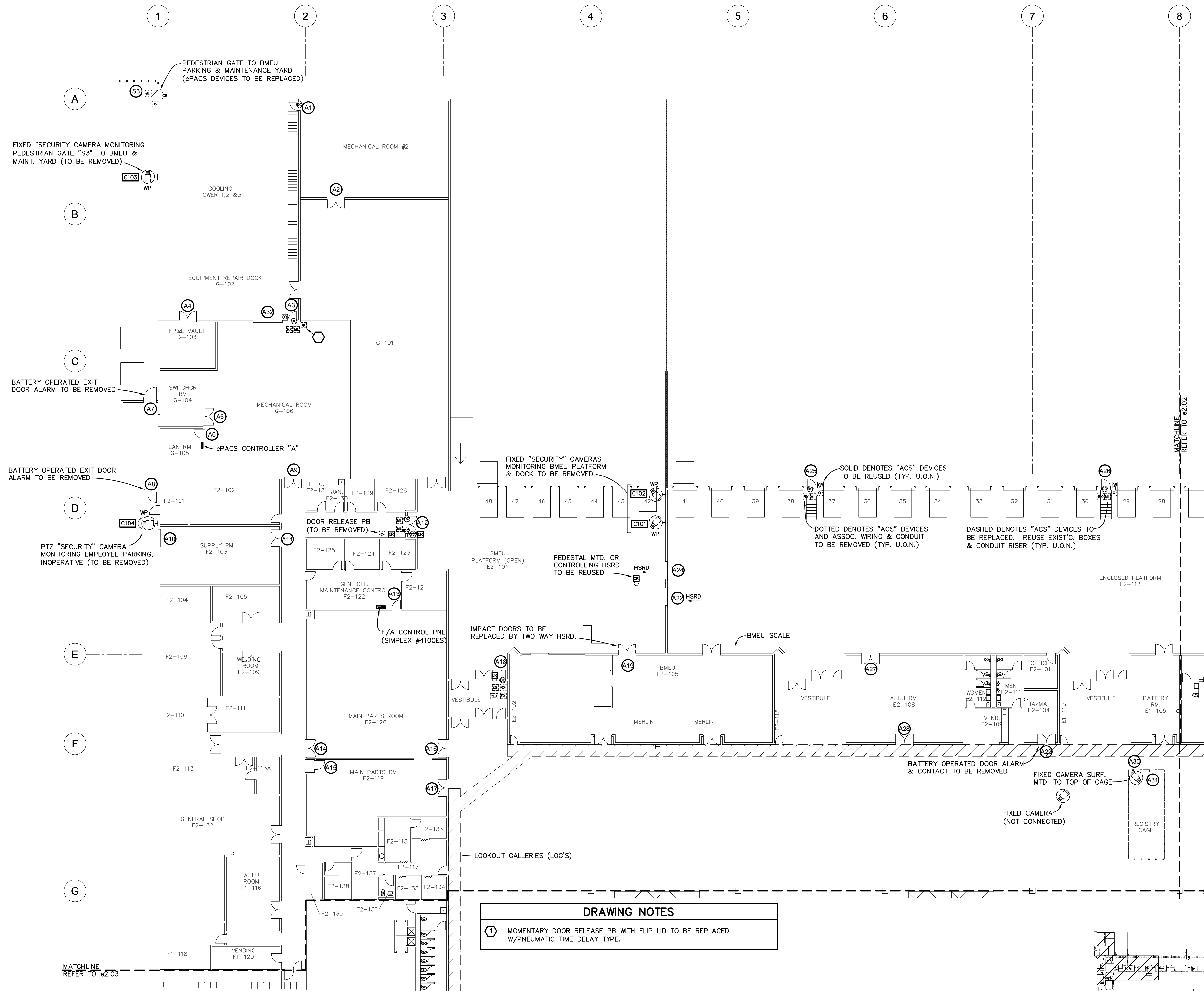


FT. MYERS P&D
SECURITY UPGRADES
 14080 JETPORT LOOP
 FT MYERS, FL 33913

title

 K65332

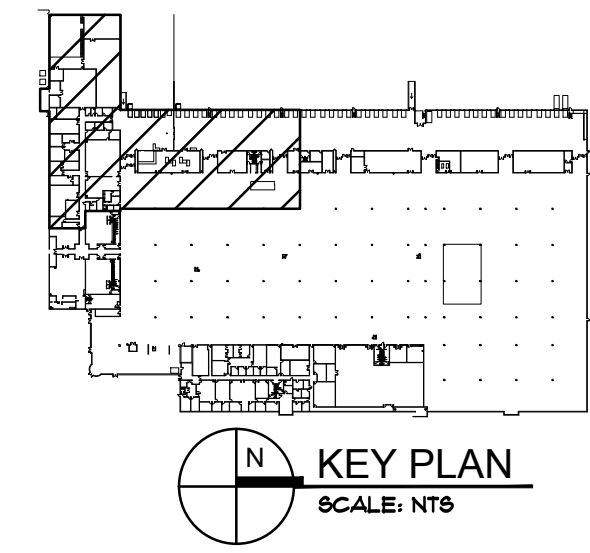
MAG 4 INC.
 1000 McMullen Highway, Suite 955 | Tampa, FL 33602
 813.284.4441 | info@mag4inc.com | fax: 813.284.1532



DRAWING NOTES

① MOMENTARY DOOR RELEASE PB WITH FLIP LID TO BE REPLACED W/PNEUMATIC TIME DELAY TYPE.

EXISTING FLOOR PLAN 'ZONE A' - ePACS & CCTV SYSTEMS
 SCALE: 1/16" = 1'-0"



consultant
ROLLEY ENGINEERING INC
 7759 W. Weber Avenue, Tampa, Florida 33615
 TELEPHONE: (813) 889-9330, FAX: 889-9300
 ROBERT A. ROLLEY, P.E., License # 10000

revisions	project / phase
19013	EXISTING ZONE A-ePACS & CCTV
2022-03-03	

issue date
 sheet name

project / phase
 issue date
 sheet name

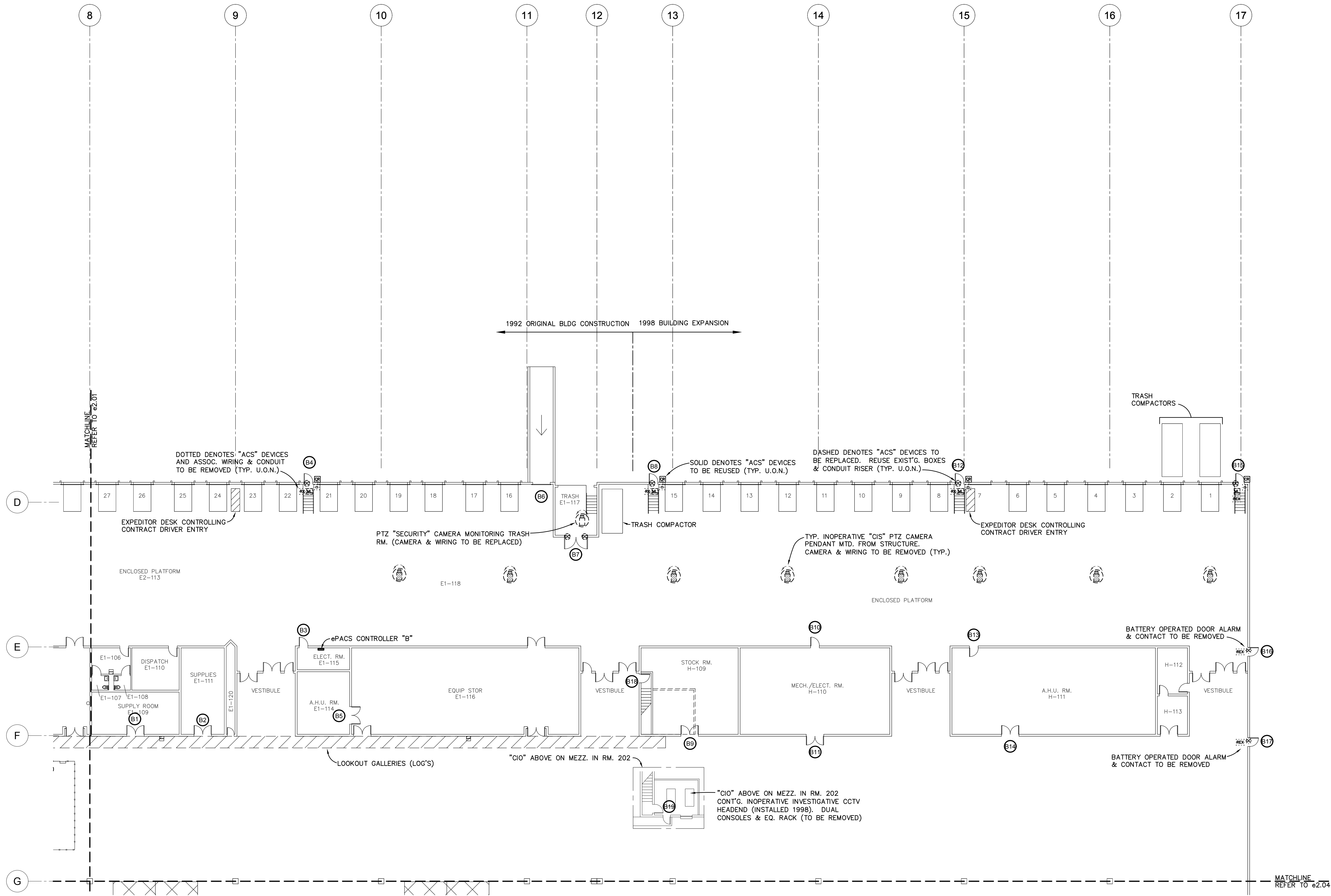
FT. MYERS P&D
SECURITY UPGRADES

14080 JETPORT LOOP
 FT MYERS, FL 33913

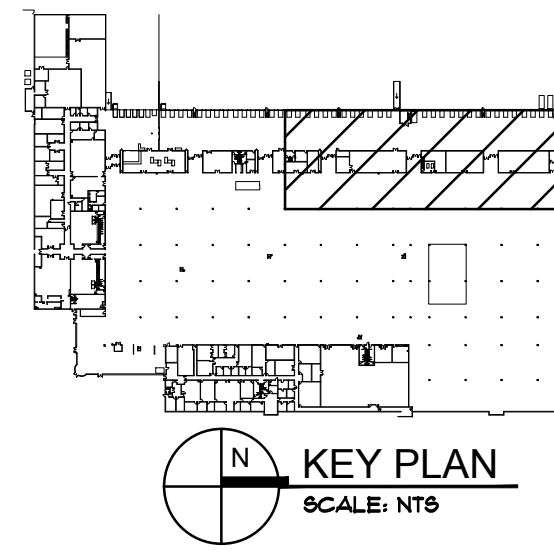
title
K653332

MAG 4 INC
 1000 McMullen Highway, Suite 967, Tampa, FL 33602
 813.284.4441 | info@magn4inc.com | 688881632

1909-a1_01.dwg March 04 2010 10:55am
 FILE LOCATION:
 LAST SAVED:



EXISTING FLOOR PLAN 'ZONE B' - ePACS & CCTV SYSTEMS
 SCALE: 1/16" = 1'-0"



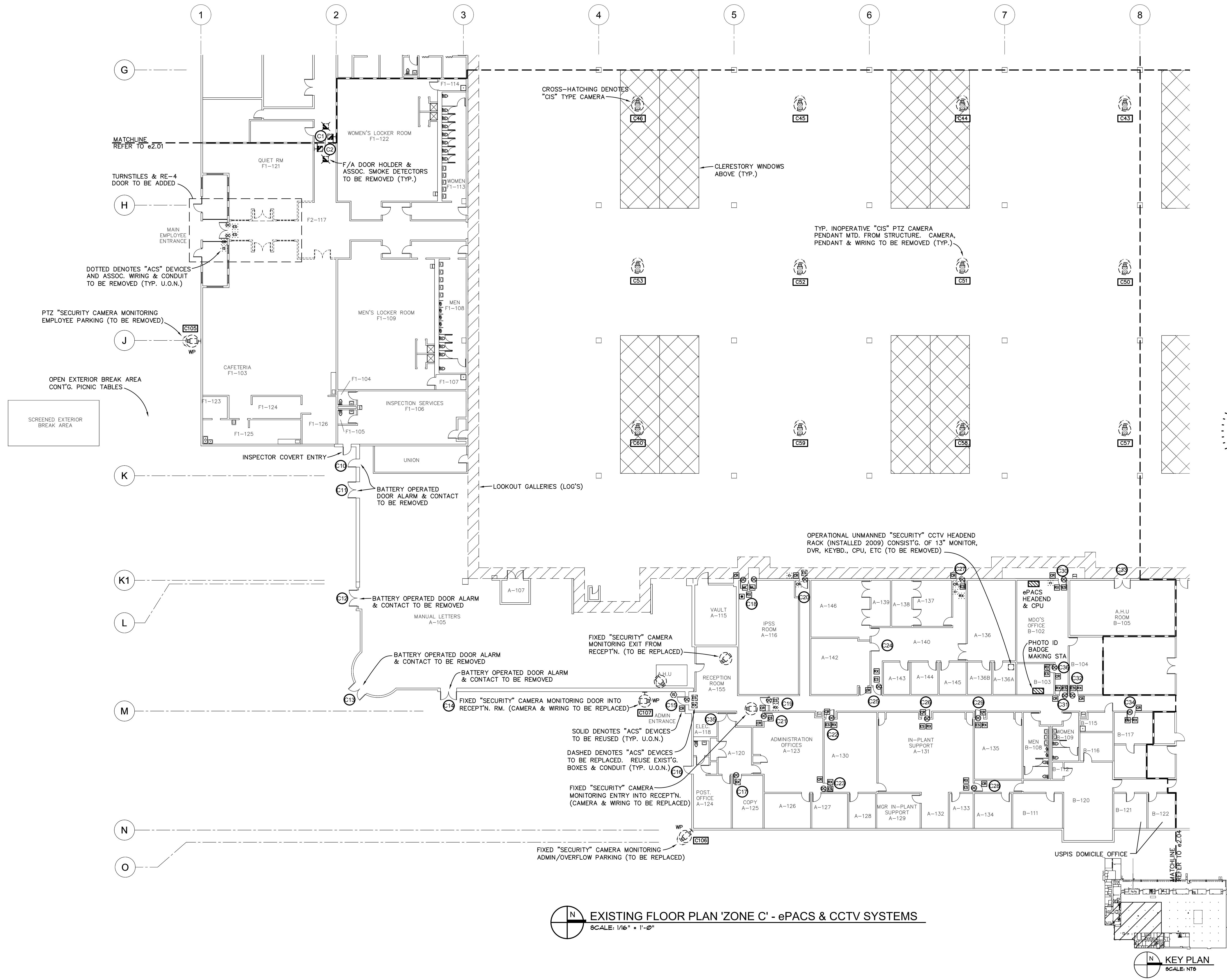
ROLLEY ENGINEERING, INC.
 Consultant
 7729 W. Wilshire Avenue, Tampa, Florida, 33619
 Robert Andrew Rolley, Florida P.E. #16160

revisions	project phase	sheet name
19013		EXIST'G ZONE B-ePACS & CCTV
2022-03-03	issue date	

FT. MYERS P&DC
 SECURITY UPGRADES
 14080 JETPORT LOOP
 FT MYERS, FL 33913

title **K65332**

MAG 4 INC.
 1000 North Ashley Dr | Suite 505 | Tampa, FL 33602
 813.264.4441 | ADMIN@mag4inc.com | aa56001052



EXISTING FLOOR PLAN 'ZONE C' - ePACS & CCTV SYSTEMS
 SCALE: 1/16" = 1'-0"

KEY PLAN
 SCALE: N76

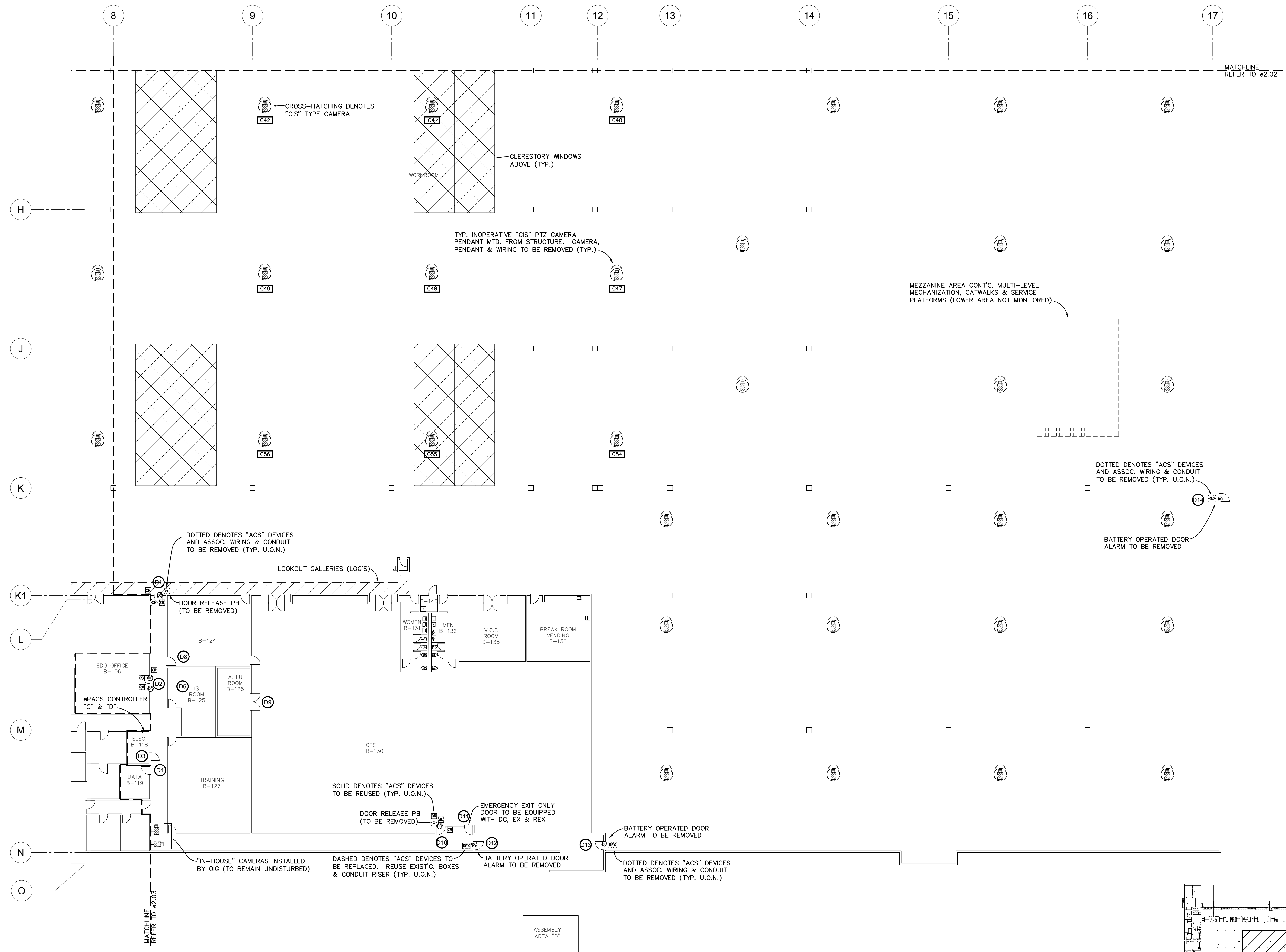
consultant
ROLLEY ENGINEERING, INC.
 7759 W. Wesley Avenue, Tampa, Florida 33615
 TELEPHONE: (813) 899-9330 FAX: (813) 899-9331
 Robert Rolley, P.E., P.L.C.
 Robert Rolley, P.E., P.L.C.

revisions	project / phase
19013	ISSUE DATE
2022-03-03	SHEET NAME
	EXIST'G ZONE C-ePACS & CCTV

title
FT. MYERS P&D
SECURITY UPGRADES
 14080 JETPORT LOOP
 FT MYERS, FL 33913
 K653332

MAG 4 INC.
 1000 North Ashley Dr | Suite 567 | Tampa, FL 33602
 813.284.4471 | info@mag4inc.com | 1-800-801-7624

1908-e101.dwg March 04, 2010 10:55am
 FILE LOCATION:
 LAST SAVED



consultant

revisions

19013	2022-03-03
-------	------------

project / phase

issue date

sheet name

EXIST'G ZONE D-ePACS & CCTV

ROBERT A. ROLLEY
 LICENSE No. 21600
 STATE OF FLORIDA
 PROFESSIONAL ENGINEER

ROLLEY ENGINEERING, INC.
 7759 W. Water Avenue, Tampa, Florida 33615
 TELEPHONE: (813) 889-9333 FAX: (813) 889-9334
 ROBERT.A.ROLLEY@REI-FLA.COM

title

FT. MYERS P&DC
 SECURITY UPGRADES

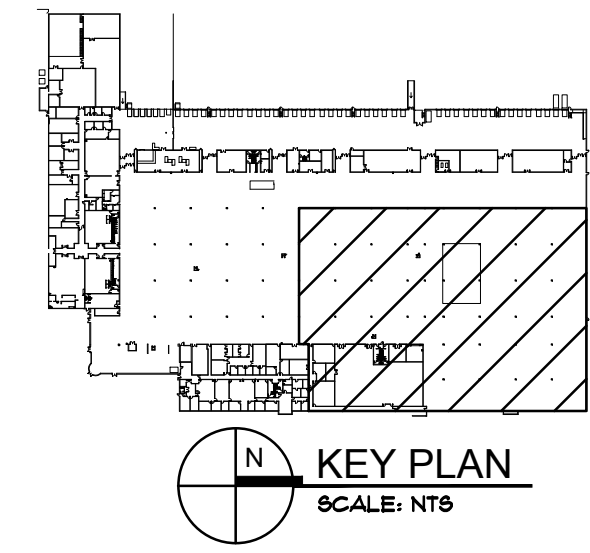
14080 JETPORT LOOP
 FT MYERS, FL 33913

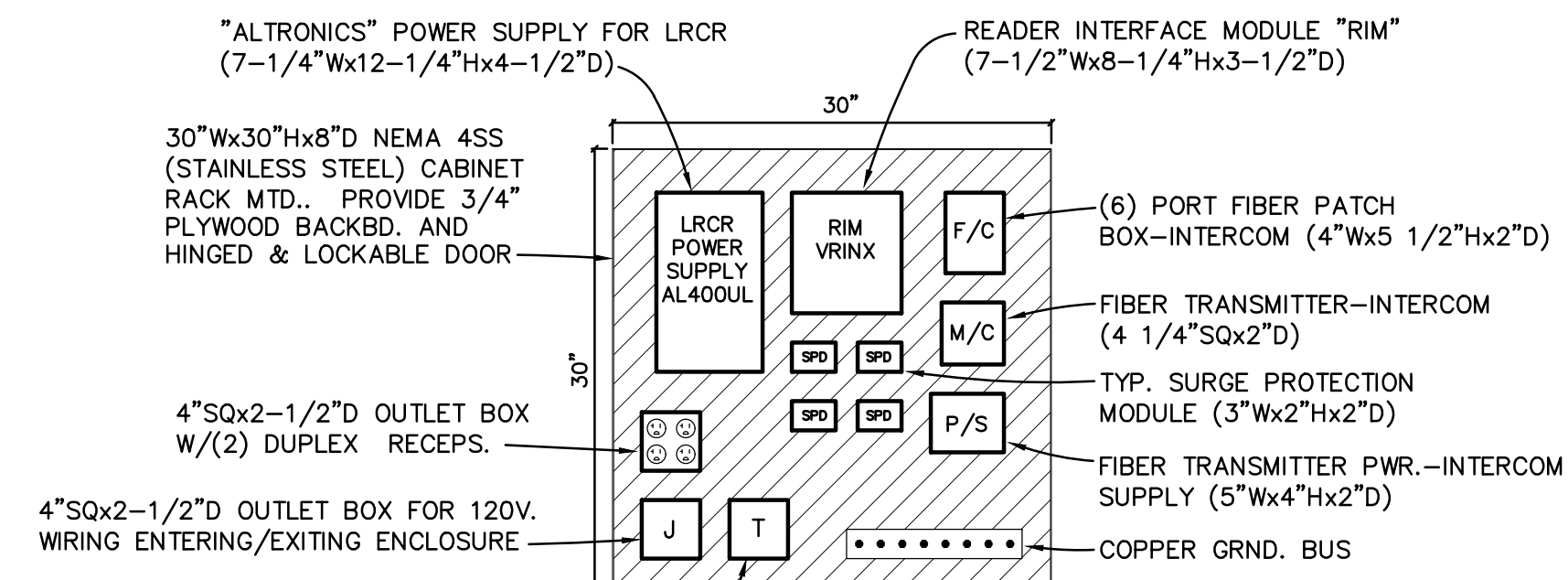
K653332

MAG 4 INC.

1000 North Ashley Drive Suite 505 Tampa, FL 33602
 813.284.4471 | info@mag4inc.com | fax:813.284.1632

EXISTING FLOOR PLAN 'ZONE D' - ePACS & CCTV SYSTEMS
 SCALE: 1/16" = 1'-0"

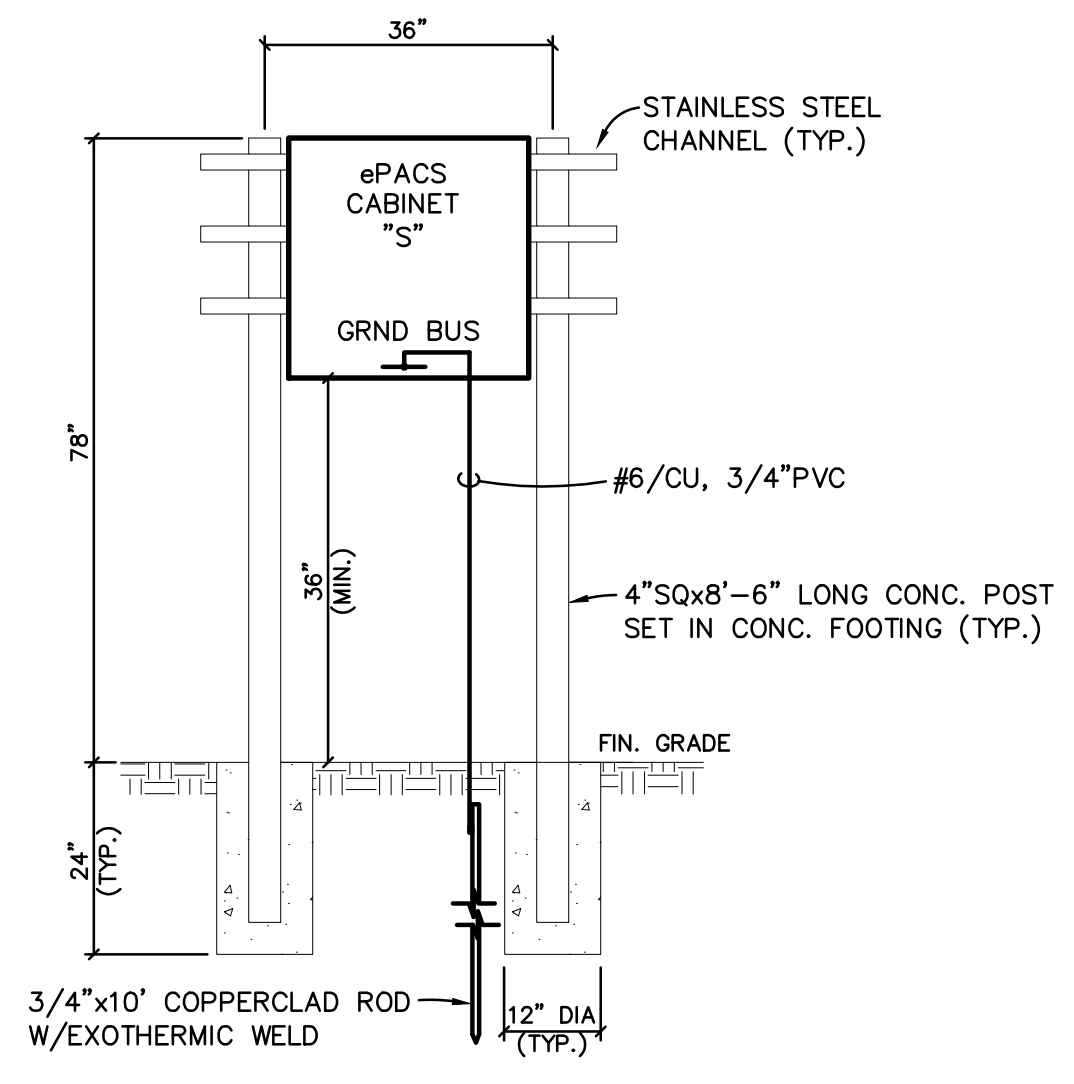




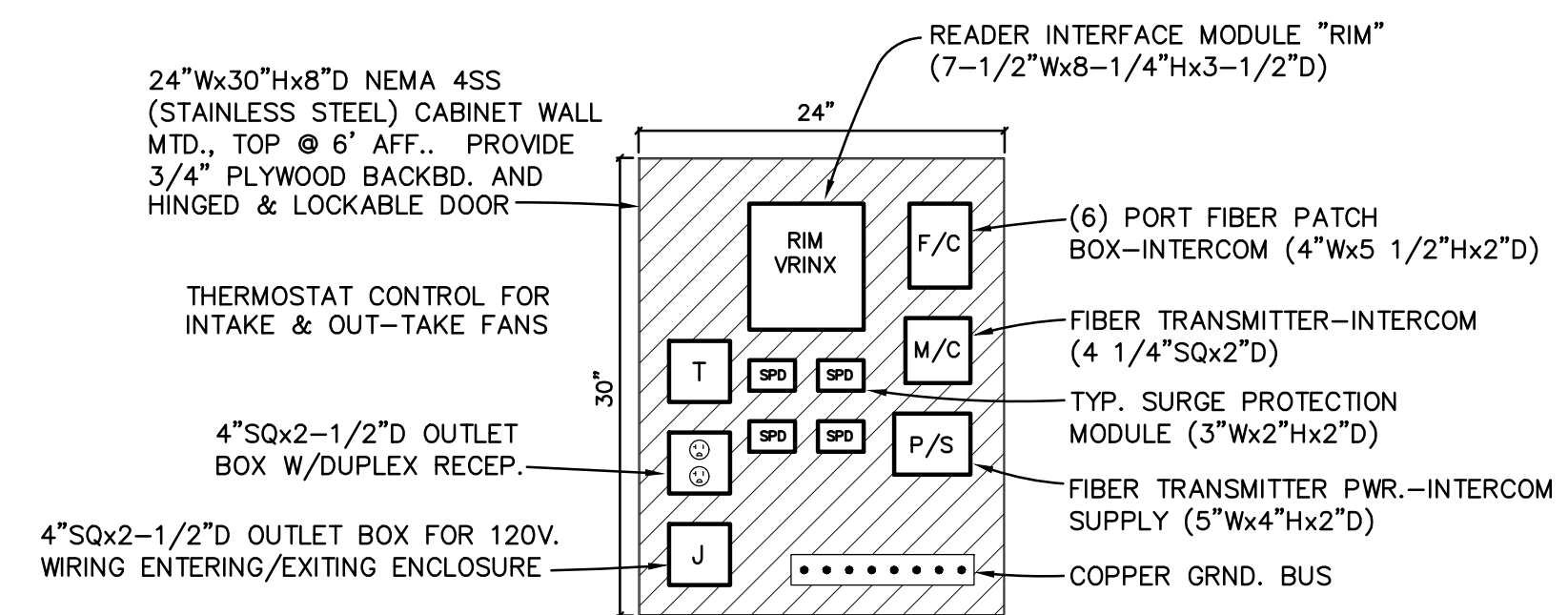
NOTES:

1. ALL COMPONENTS SHALL BE SECURELY FASTENED TO THE BACKBOARD USING FACTORY BRACKETS & APPROPRIATE WOOD SCREWS. EXCESS CABLE LENGTHS SHALL BE PROPERLY LOOPED AND SECURED USING HOOK & LOOP STRAPS; TIE-WRAPPS ARE NOT ACCEPTABLE.
2. THE 120 VOLT WIRING ROUTED W/ THE CABINET SHALL BE CONTAINED IN CONDUIT. OPEN 120 VOLT WIRING IS NOT ACCEPTABLE.
3. ePACS TERMINAL CABINETS SHALL NOT CONTAIN CCTV COMPONENTS. THE ePACS SYS. SHALL UTILIZE INDEPENDENT WIRING, RACEWAYS & CABINETS.
4. PROVIDE SURGE PROTECTION AT BOTH ENDS OF ALL LOW VOLTAGE COPPER WIRING ENTERING & EXITING THE CABINET. PROVIDE 120 VOLT SPD'S (EDCO #FAS-100F) @ QUAD. RECEP., (4) PER RECEP..

ePACS TERMINAL CABINET 'S' (INTERIOR LAYOUT) - DETAIL
SCALE: 1"=1'-0"



ePACS TERMINAL CABINET 'S' - DETAIL
SCALE: N.T.S.

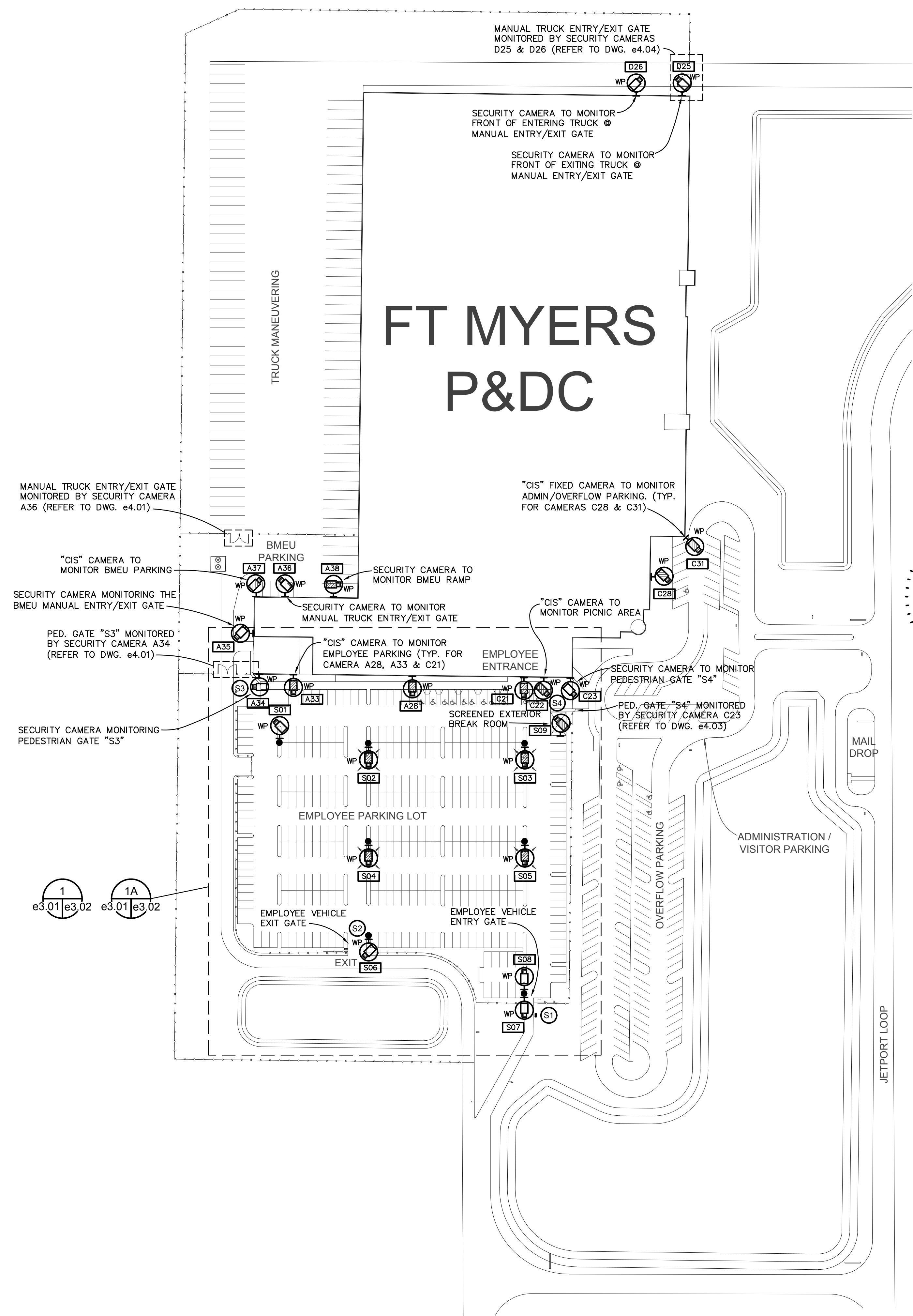


NOTES:

1. ALL COMPONENTS SHALL BE SECURELY FASTENED TO THE BACKBOARD USING FACTORY BRACKETS & APPROPRIATE WOOD SCREWS. EXCESS CABLE LENGTHS SHALL BE PROPERLY LOOPED AND SECURED USING HOOK & LOOP STRAPS; TIE-WRAPPS ARE NOT ACCEPTABLE.
2. THE 120 VOLT WIRING ROUTED W/ THE CABINET SHALL BE CONTAINED IN CONDUIT. OPEN 120 VOLT WIRING IS NOT ACCEPTABLE.
3. ePACS TERMINAL CABINETS SHALL NOT CONTAIN CCTV COMPONENTS. THE ePACS SYS. SHALL UTILIZE INDEPENDENT WIRING, RACEWAYS & CABINETS.
4. PROVIDE SURGE PROTECTION AT BOTH ENDS OF ALL LOW VOLTAGE COPPER WIRING ENTERING & EXITING THE CABINET. PROVIDE 120 VOLT SPD'S (EDCO #FAS-100F) @ DUPLEX RECEP., (2) PER RECEP..

ePACS TERMINAL CABINET 'N' (INTERIOR LAYOUT) - DETAIL
SCALE: 1"=1'-0"

- COORDINATION NOTES - EXTERIOR SITE WORK**
1. ALL UNDERGROUND CONDUIT ROUTINGS SHALL BE COORD. WITH EXIST'G U/G UTILITIES PRIOR TO INSTALLATION OF CONDUIT. SITUATIONS EXIST WHERE CONDUITS AND UTILITIES OCCUPY THE SAME AREA.
 2. PRIOR TO INSTALLATION OF CONDUIT EXISTING U/G PIPING/CONDUIT SHALL BE TRACED USING "GPR" DETECTION AND MARKED. NEW TRENCHING SHALL BE "HAND DUG" TO AVOID EXISTING UTILITIES. CONTRACTOR SHALL BE RESPONSIBLE FOR SAW CUTTING AND PATCHING OF EXISTING PAVING.
 3. PROVIDE RED DETECTABLE WARNING TAPE 12" ABOVE ALL PROPOSED U/G CONDUIT ROUTINGS. TAPE SHALL BE SUITABLE FOR DIRECT BURIAL, 6"x4MILS & DETECTABLE BY METAL DETECTOR WHEN BURIED UP TO 2'-6" DEEP.
 4. ALL UNDERGROUND CONDUITS SHALL BE BURIED, TOP @ 24" BFG, MINIMUM.
 5. ALL UNDERGROUND CONDUITS SHALL TURN UP THRU EARTH UTILIZING "RGSC" ELBOWS & RISERS.
 6. EXIST'G. ABANDONED U/G CONDUITS MAY BE REUTILIZED, IF FOUND ACCEPTABLE.
 7. SPLICES BELOW GRADE ARE NOT ACCEPTABLE.



PROPOSED SITE PLAN - CCTV (ISIP) SYSTEM & ePACS
SCALE: 1"=20'-0"

consultant
 revisions
 project / phase
 issue date
 sheet name
 19013
 2022-03-03
 SITE PLAN-CCTV & ePACS

ROLLEY ENGINEERING INC
 7759 W. Weber Avenue, Tampa, Florida 33619
 TELEPHONE: (813) 899-9333 FAX: (813) 899-9300
 www.rolley-engineering.com Project No. #0100

ROBERT A. ROLLEY
 LICENSE No. 21600
 STATE OF FLORIDA
 PROFESSIONAL ENGINEER

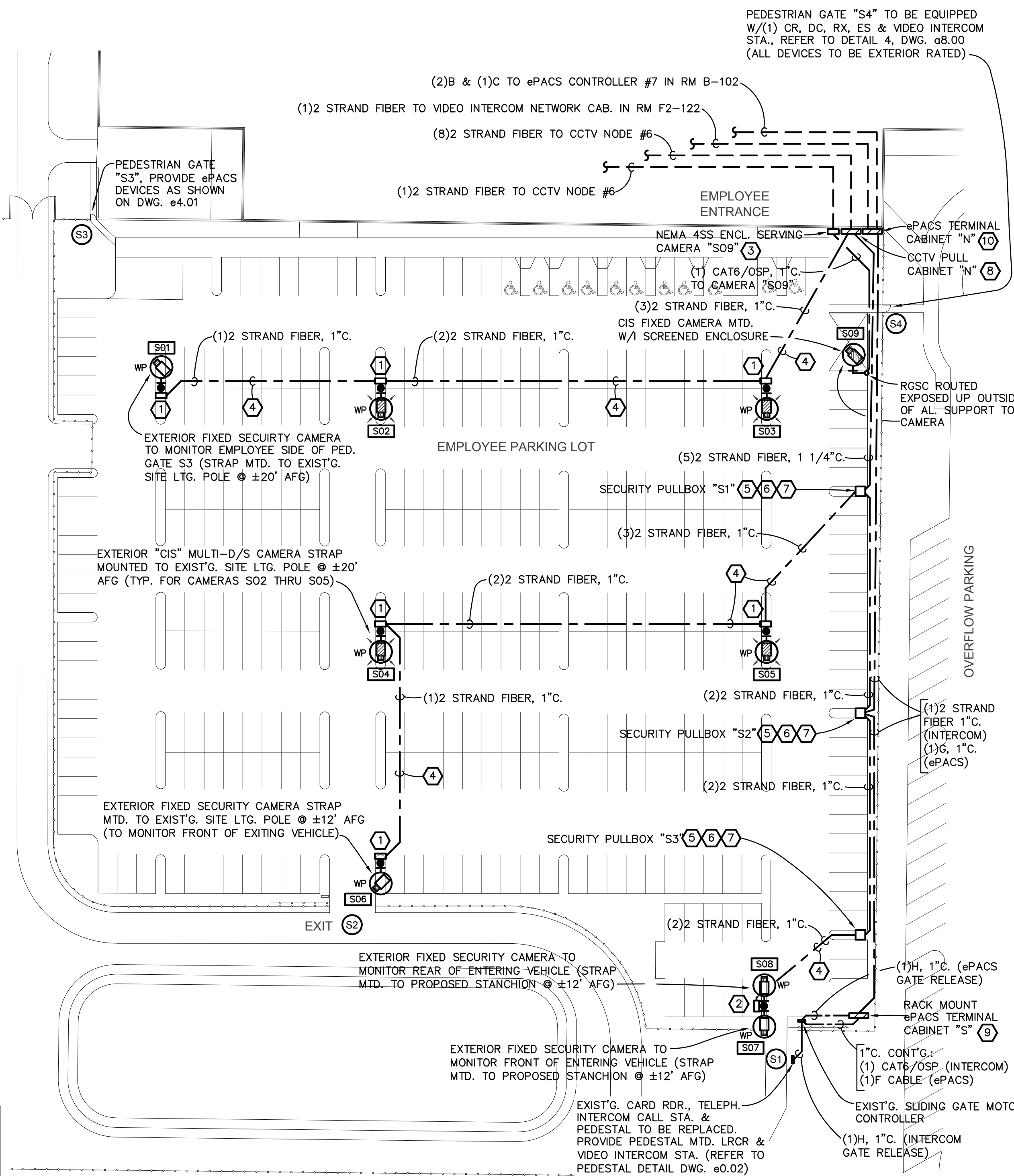
FT. MYERS P&DC SECURITY UPGRADES
 14080 JETPORT LOOP
 FT MYERS, FL 33913

title
 K65332

MAG 4 INC
 5000 North Hollywood Dr | Suite 957 | Tampa, FL 33602
 813.284.4441 | info@mag4inc.com | fac8081632

sheet
e3.01
 8 of 32

1909-e101.dwg March 04 2010 10:55am
FILE LOCATION:
LAST SAVED



1
e3.02 e3.01
N
PROPOSED PARTIAL SITE PLAN - CCTV (ISIP) SYSTEM & ePACS
SCALE: 1"=40'-0"

DRAWING NOTES

- ① 12"WX18"HX8"D NEMA 4SS ENCL. (HINGED & LOCKABLE) HOUSING RECP., FIBER PATCH PNL., FIBER CONVERTER, INJECTOR & PWR SUPPLY. STRAP MOUNT TO POLE OR STANCHION, BOTTOM @ 24" ABOVE CONC. BASE (REFER TO DETAIL DWG. e3.03).
- ② 12"WX24"HX8"D NEMA 4SS ENCL. (HINGED & LOCKABLE) HOUSING (2) RECEPS., FIBER PATCH PNLs., (2) FIBER CONVERTERS, (2) INJECTORS & (2) PWR SUPPLIES. STRAP MOUNT TO POLE OR STANCHION, BOTTOM @ 24" ABOVE CONC. BASE (REFER TO DETAIL DWG. e3.03).
- ③ 12"WX18"HX8"D NEMA 4SS ENCL. (HINGED & LOCKABLE) HOUSING RECP., FIBER PATCH PNL., FIBER CONVERTER, INJECTOR & PWR SUPPLY. WALL MTD. TOP @ 6' AFF. ADJACENT TO CCTV PULL CABINET "N" (REFER TO DETAIL DWG. e3.03).
- ④ CONDUIT SHALL BE DIRECTIONALLY BORED BELOW EXIST'G. PAVING, TOP @ 24" BFG.. PROVIDE #10/THWN/CU TRACER WIRE.
- ⑤ 17"x30"x30"D POLYMER CONC. TYPE PULLBOX W/BASE & HEAVYDUTY BOLT/DOWN COVER. QUAZITE #PG1730DA30/PG1730HA00.
- ⑥ WIRING W/ PULLBOX SHALL BE LOOPED AROUND SIDES OF PULLBOX AND NEATLY RACKED AND TIED TO SIDES OF BOX. PROVIDE 18" GALV. CABLE RACKS ON SIDES OF BOX. PROVIDE 10 FT. SERVICE LOOPS W/ PULLBOXES. WIRING LAYING ON BOTTOM OF BOX OR ROUTED ACROSS THE CENTER OF PULLBOX IS UNACCEPTABLE. SPLICING W/ PULLBOX IS NOT PERMITTED.
- ⑦ PULLBOX SHALL BE SET LEVEL W/GRADE IN 6" DEEP GRAVEL BED, 4" ALL AROUND EACH SIDE & BOTTOM. COORD. FINAL LOC'N. W/ALL U/G UTILITIES, SIDEWALKS & "USPS".
- ⑧ 18"WX24"HX8"D NEMA 4SS CCTV PULL CABINET "N" WALL MTD. TOP @ 6' AFF.. LOOP FIBER WIRING W/ CABINET W/O SPLICES. PROVIDE HINGED & LOCKABLE DOOR W/PLYWOOD BACKBD..
- ⑨ PROVIDE ePACS CABINET "S", RACK MTD. AS DESCRIBED BELOW:

QTY	PRODUCT DESCRIPTION
(1)	30"WX30"HX8"D NEMA 4SS STAINLESS STEEL ENCLOSURE W/ PLYWOOD BACKBD. AND HINGED, LOCKABLE DOOR (REFER TO DETAIL DWG. e3.01). HOFFMAN, B-LINE OR APPROVED EQUAL
(1)	FACTORY INSTALLED INTAKE FAN WITH RAIN HOOD (THERMOSTAT CONTROLLED).
(1)	FACTORY INSTALLED OUT TAKE FAN WITH RAIN HOOD (THERMOSTAT CONTROLLED).
(1)	120 VOLT QUADRAPLEX 4X4 OUTLET.
(1)	LONG RANGE READER POWER SUPPLY.
(1)	READER INTERFACE MODULE.
(1)	FIBER PATCH PNL. (INTERCOM)
(1)	FIBER TRANSMITTER & P/S (INTERCOM)
(1)	COPPER GROUND BUS

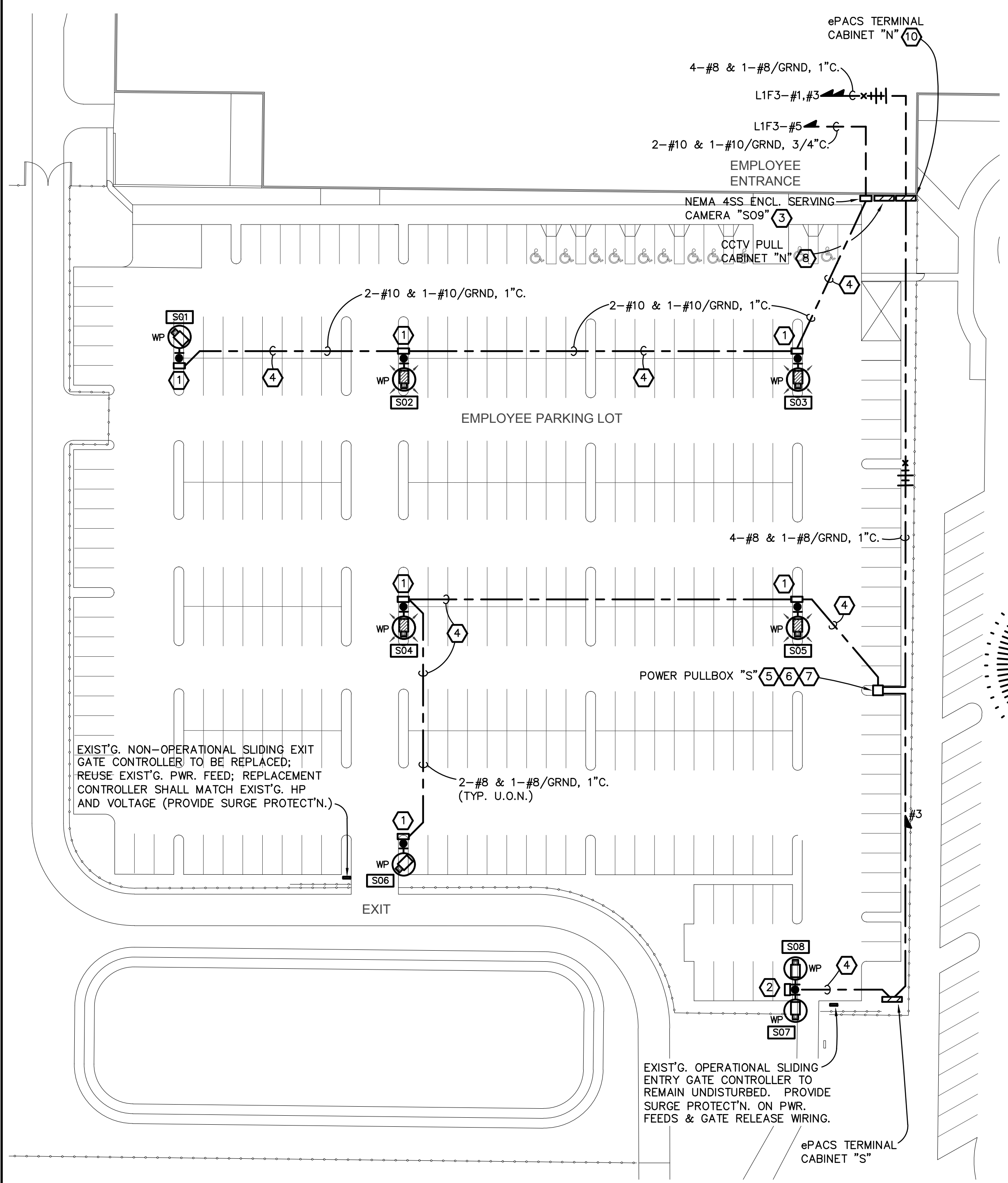
LOT SURGE PROTECTORS (ALL 120V. & LOW VOLTAGE CONDUCTORS).
LOT TERMINALS STRIPS AS NECESSARY.

DRIVE 3/4"x10' COPPERCLAD ROD W/EXOTHERMIC WELD BELOW CABINET. BOND ROD TO GROUND BUS W/ CABINET USING #4/CU/GRND..
- ⑩ PROVIDE ePACS CABINET "N", WALL MTD. TOP @ 6'-0" AFF., AS DESCRIBED BELOW:

QTY	PRODUCT DESCRIPTION
(1)	24"WX30"HX8"D NEMA 4SS STAINLESS STEEL ENCLOSURE W/ PLYWOOD BACKBD. AND HINGED, LOCKABLE DOOR (REFER TO DETAIL DWG. e3.01). HOFFMAN, B-LINE OR APPROVED EQUAL
(1)	FACTORY INSTALLED INTAKE FAN WITH RAIN HOOD (THERMOSTAT CONTROLLED).
(1)	FACTORY INSTALLED OUT TAKE FAN WITH RAIN HOOD (THERMOSTAT CONTROLLED).
(1)	120 VOLT DUPLEX 4X4 OUTLET.
(1)	READER INTERFACE MODULE.
(1)	FIBER PATCH PNL. (INTERCOM)
(1)	FIBER TRANSMITTER & P/S (INTERCOM)
(1)	COPPER GROUND BUS

LOT SURGE PROTECTORS (ALL 120V. & LOW VOLTAGE CONDUCTORS).
LOT TERMINALS STRIPS AS NECESSARY.

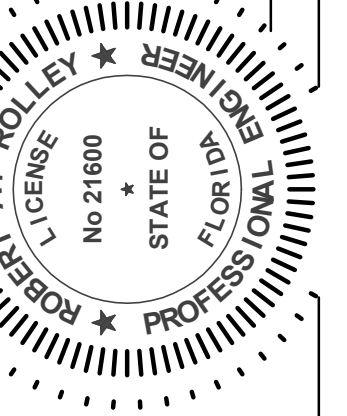
DRIVE 3/4"x10' COPPERCLAD ROD W/EXOTHERMIC WELD BELOW CABINET. BOND ROD TO GROUND BUS W/ CABINET USING #4/CU/GRND..



1A
e3.02 e3.01
N
PROPOSED PARTIAL SITE PLAN - ELECTRICAL POWER
SCALE: 1"=40'-0"

consultant
ROLLEY ENGINEERING INC.
 7759 W. Weber Avenue, Tampa, Florida 33619
 TELEPHONE: (813) 889-9333 FAX: (813) 889-9300
 www.rolley-engineering.com

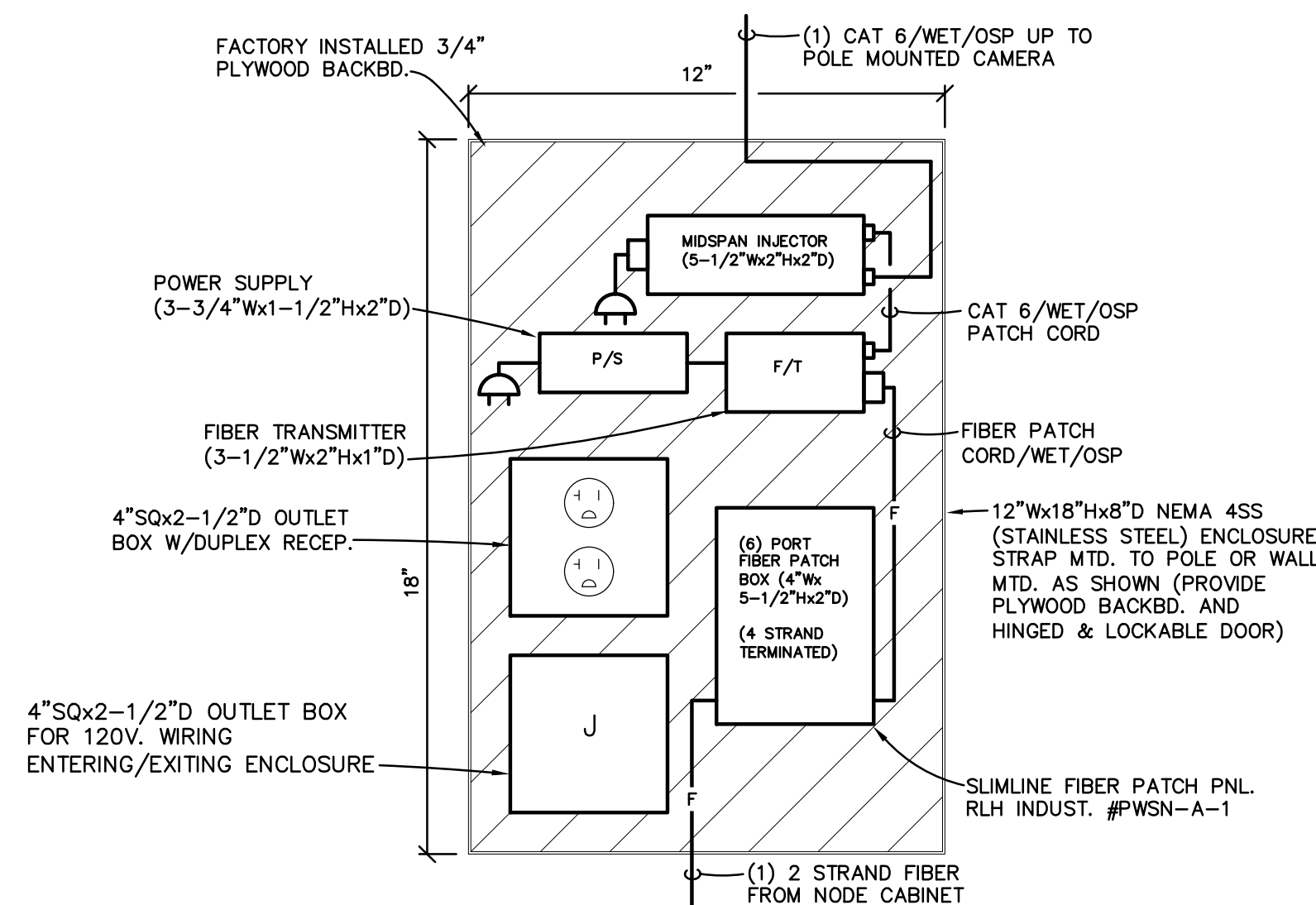
revisions	project / phase	issue date	sheet name
19013		2022-03-03	SITE PLAN-CCTV & ePACS



title
FT. MYERS P&D
SECURITY UPGRADES
 14080 JETPORT LOOP
 FT MYERS, FL 33913

K65332

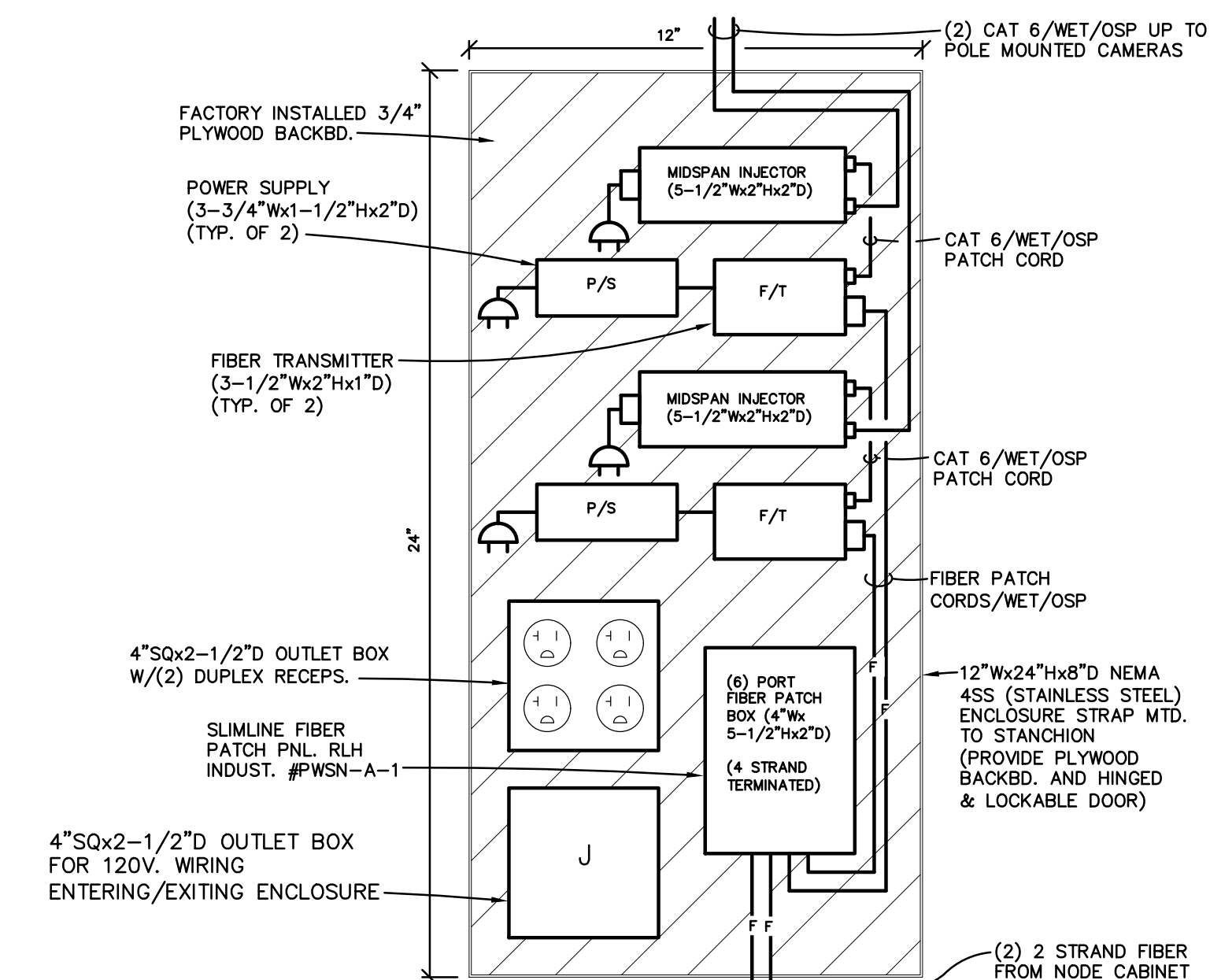




- NOTES:**
1. THE NEMA 4SS ENCLOSURE, BACKBOARD, FIBER PATCH PNL., SPD'S, RECEPS. & 120 VOLT WRING, PATCH CORDS AND CABLING SHALL BE PROVIDED BY THE CONTRACTOR. INJECTORS, FIBER TRANSMITTERS AND POWER SUPPLIES ARE FURNISHED BY THE CCTV DIRECT VENDOR.
 2. ALL COMPONENTS SHALL BE SECURELY FASTENED TO THE BACKBOARD USING FACTORY BRACKETS & APPROPRIATE WOOD SCREWS. USE OF DOUBLE SIDED, ADHESIVE HOOK & LOOP STRAPS IS NOT ACCEPTABLE.
 3. FIBER TRANSMITTERS SHALL NOT BE SECURED ATOP OF THE INJECTORS.
 4. PATCH CORDS SHALL BE AS LONG AS NECESSARY FOR THE APPLICATION, BUT AS SHORT AS POSSIBLE TO AVOID LARGE CABLE BUNDLES.
 5. EXCESS CABLE LENGTHS SHALL BE PROPERLY LOOPED AND SECURED USING HOOK & LOOP STRAPS; TIE-WRAPS ARE NOT ACCEPTABLE.
 6. THE 120 VOLT WRING ROUTED W/ THE ENCLOSURE SHALL BE CONTAINED IN CONDUIT. OPEN 120 VOLT WRING IS NOT ACCEPTABLE. PROVIDE 120 VOLT SPD'S (EDCC #FAS-100F @ RECP.)
 7. A 6 FT. FIBER OPTIC SERVICE LOOP SHALL BE INSTALLED WITHIN THE ENCLOSURE. SERVICE LOOP SHALL BE INSTALLED SUCH THAT THE MINIMUM BEND RADIUS IS NOT EXCEEDED. ONCE THE FIBER REACHES THE PATCH PANEL THERE SHALL BE NO LESS THAN 3 FEET OF UNSHEATHED FIBER INSTALLED NEATLY IN STORAGE TRAY PRIOR TO TERMINATIONS BEING INSTALLED.
 8. THIS DETAIL IS TYP. FOR THE ENCLOSURES SERVING CAMERAS S01 THRU S06 & S09.

NEMA 4SS EXTERIOR ENCLOSURE - SINGLE CAMERA POLE

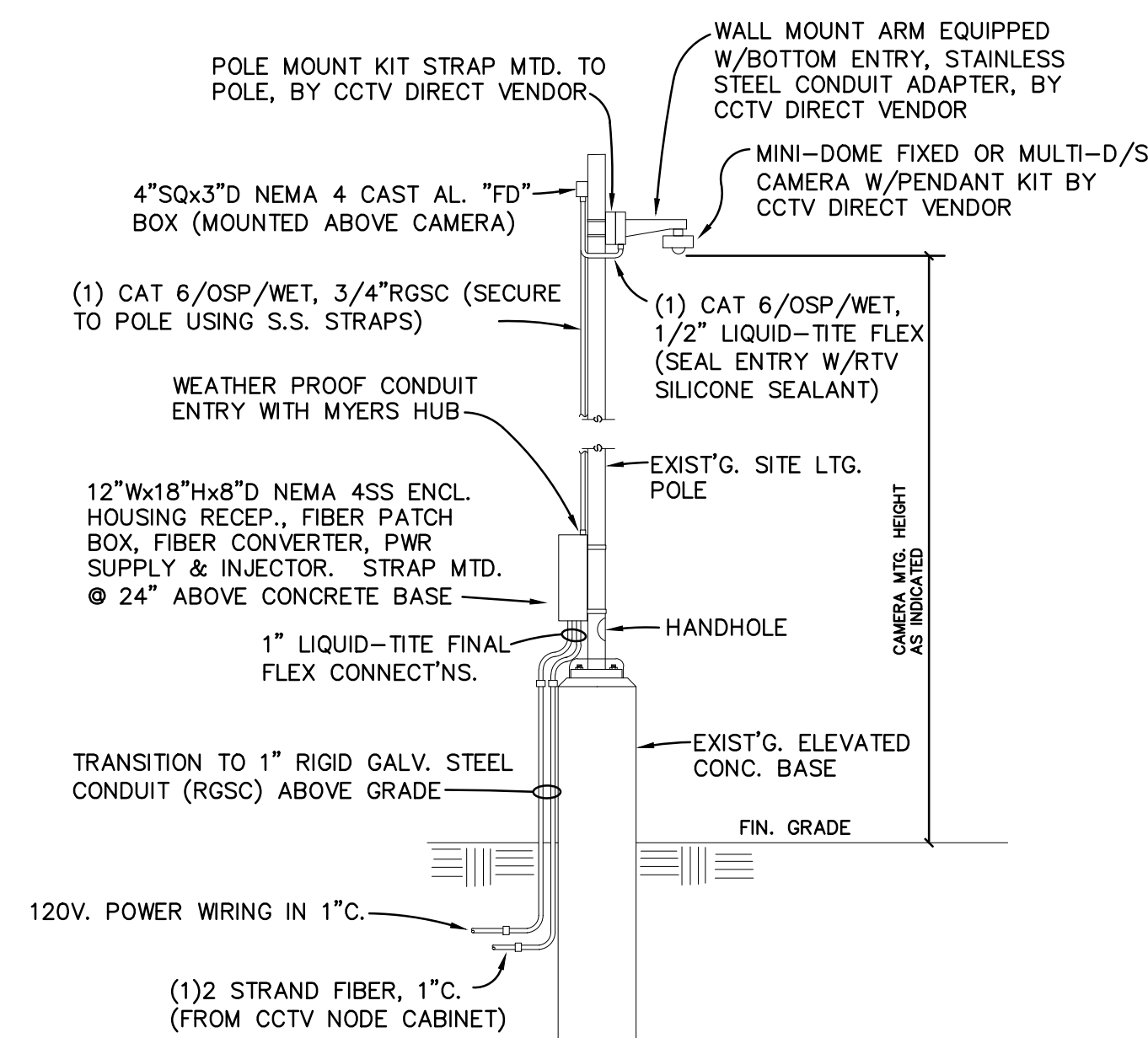
SCALE: N.T.S.



- NOTES:**
1. THE NEMA 4SS ENCLOSURE, BACKBOARD, FIBER PATCH PNL., SPD'S, RECEPS. & 120 VOLT WRING, PATCH CORDS AND CABLING SHALL BE PROVIDED BY THE CONTRACTOR. INJECTORS, FIBER TRANSMITTERS AND POWER SUPPLIES ARE FURNISHED BY THE CCTV DIRECT VENDOR.
 2. ALL COMPONENTS SHALL BE SECURELY FASTENED TO THE BACKBOARD USING FACTORY BRACKETS & APPROPRIATE WOOD SCREWS. USE OF DOUBLE SIDED, ADHESIVE HOOK & LOOP STRAPS IS NOT ACCEPTABLE.
 3. FIBER TRANSMITTERS SHALL NOT BE SECURED ATOP OF THE INJECTORS.
 4. PATCH CORDS SHALL BE AS LONG AS NECESSARY FOR THE APPLICATION, BUT AS SHORT AS POSSIBLE TO AVOID LARGE CABLE BUNDLES.
 5. EXCESS CABLE LENGTHS SHALL BE PROPERLY LOOPED AND SECURED USING HOOK & LOOP STRAPS; TIE-WRAPS ARE NOT ACCEPTABLE.
 6. THE 120 VOLT WRING ROUTED W/ THE ENCLOSURE SHALL BE CONTAINED IN CONDUIT. OPEN 120 VOLT WRING IS NOT ACCEPTABLE. PROVIDE 120 VOLT SPD'S (EDCC #FAS-100F @ E.A. RECP.)
 7. A 6 FT. FIBER OPTIC SERVICE LOOP SHALL BE INSTALLED WITHIN THE ENCLOSURE. SERVICE LOOP SHALL BE INSTALLED SUCH THAT THE MINIMUM BEND RADIUS IS NOT EXCEEDED. ONCE THE FIBER REACHES THE PATCH PANEL THERE SHALL BE NO LESS THAN 3 FEET OF UNSHEATHED FIBER INSTALLED NEATLY IN STORAGE TRAY PRIOR TO TERMINATIONS BEING INSTALLED.
 8. THIS DETAIL IS TYP. FOR THE ENCLOSURES SERVING CAMERAS S07/S08.

NEMA 4SS EXTERIOR ENCLOSURE - DUAL CAMERA POLE

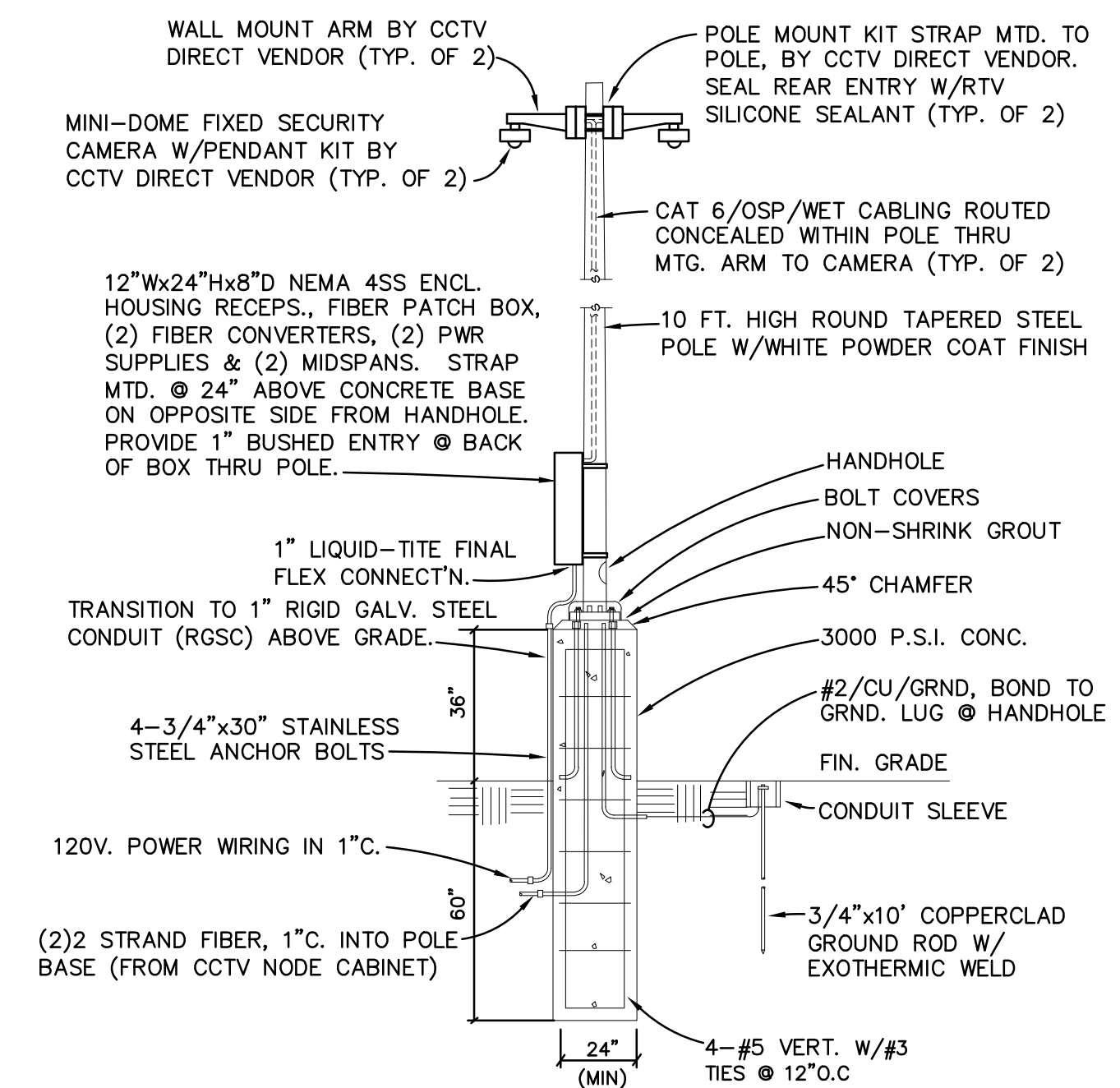
SCALE: N.T.S.



- NOTES:**
1. DETAIL DRAWN AS AN END-OF-LINE CAMERA. PROVIDE ADD'L CONDUITS FOR INTERMEDIATE CAMERA LOCATIONS REQUIRING ENTERING & EXITING CONDUITS.
 2. THIS DETAIL IS TYP. FOR POLE MOUNTED CAMERAS S01 THRU S06.

POLE MOUNTED CAMERA DETAIL - SINGLE CAMERA (EXISTING CONSTRUCTION)

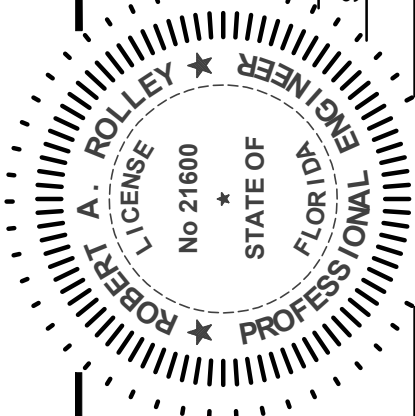
SCALE: N.T.S.



- NOTES:**
1. DETAIL DRAWN AS AN END-OF-LINE CAMERA. PROVIDE ADD'L CONDUITS FOR INTERMEDIATE CAMERA LOCATIONS REQUIRING ENTERING & EXITING CONDUITS.
 2. COMPLETE ASSEMBLY W/BASE, POLE & CAMERA SHALL WITHSTAND 180 MPH (3 SEC. GUST) OR 139 MPH BASIC WIND SPEED (FASTEST MILE). PROVIDE BOLT COVER & STAINLESS STEEL ANCHOR BOLTS.
 3. THIS DETAIL IS TYP. FOR STANCHION MTD. CAMERAS S07/S08.

POLE MOUNTED CAMERA DETAIL - DUAL CAMERA (NEW CONSTRUCTION)

SCALE: N.T.S.



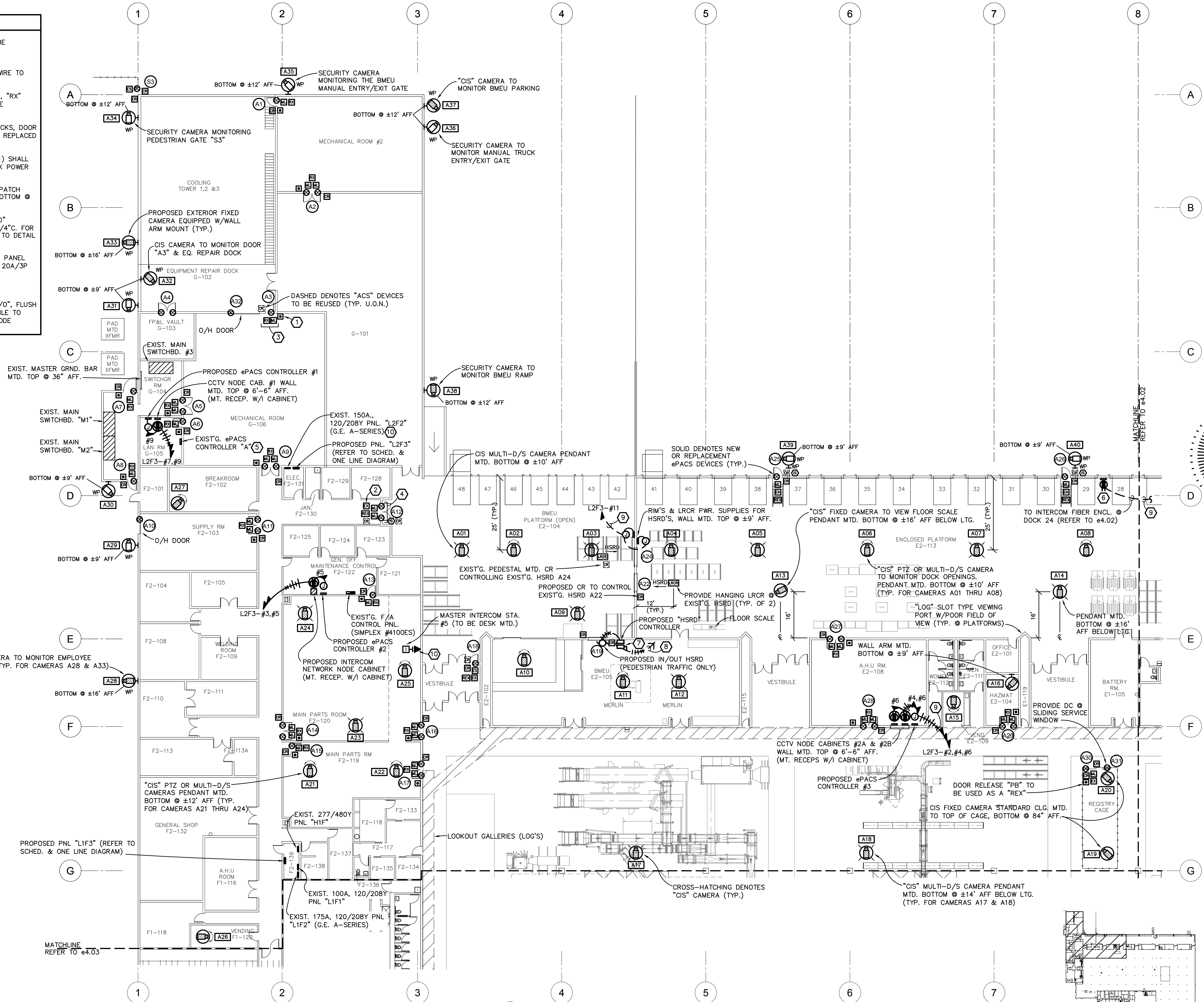
consultant	revisions	project phase	sheet name
		19013	POLE MTD. CAMERA DETAILS
		2022-03-03	

FT. MYERS P&DC
SECURITY UPGRADES
14080 JETPORT LOOP
FT MYERS, FL 33913
K65332

MAG 4 INC.
1000 North Ashby Dr Suite 505 Tampa FL 33602
813.284.4441 ADMIN@mag4inc.com (a68001052)

DRAWING NOTES

- 1 EXIST'G. MOMENTARY FLIP-LID, DOOR RELEASE PUSHBUTTON TO BE REPLACED BY PNEUMATIC TIME DELAY PUSHBUTTON. REWIRE TO REPLACEMENT "RIM".
- 2 PROVIDE 12 VDC EM. EXIT ALARM W/KEYED RESET SWITCH AND WIRE TO REPLACEMENT "RIM".
- 3 EXIST'G. DOOR LEAF TO BE REPLACED. PROVIDE NEW MAG. LOCK, "RX" SENSOR, DOOR CONTACT & ASSOC. WIRING. EXIST'G. "RIM" TO BE REPLACED AND RETERMINATED TO EXIST'G. CONTROLLER.
- 4 EXIST'G. DOOR LEAVES TO BE REPLACED. PROVIDE NEW MAG. LOCKS, DOOR CONTACTS, EXIT ALARM & ASSOC. WIRING. EXIST'G. "RIM" TO BE REPLACED AND RETERMINATED TO EXIST'G. CONTROLLER.
- 5 EXIST'G. ePACS, (16) DOOR CONTROLLER (VANDERBILT # SRCN-1) SHALL BE SERVICED TO ENSURE IT'S PROPER OPERATION. EXIST'G. LOCK POWER SUPPLIES & BATTERIES SHALL BE REPLACED.
- 6 18"SQx6"D INTERCOM ENCLOSURE CONT'G. FIBER PATCH PNL., FIBER TRANSMITTER, PWR. SUPPLY & RECEP., WALL MTD. BOTTOM @ ±12' AFF., U.O.N.. REFER TO DETAIL DWG. e7.04.
- 7 PROVIDE 3/30/10DE FUSIBLE DISC. MTD. ABOVE PROPOSED "HSRD" CONTROLLER. PROVIDE 3-#10 & 1-#10/GRND, 3/4"C. WITH 1-3/4"C. FOR CONTROLS FROM CONTROLLER TO MOTOR TERMINAL BOX. REFER TO DETAIL DWG. e0.02.
- 8 PROPOSED "HSRD" (2 HP @ 208V) SHALL BE FED FROM EXIST'G. PANEL "L2F2". REPLACE EXIST'G. 20A/1P BRKRS. #38,#40 & #42 WITH 20A/3P BRKR. NEW BRKR. TO MATCH EXIST'G..
- 9 PROVIDE #10/THWN/CU CONDUCTORS (TYP. FOR ENTIRE RUN).
- 10 PROVIDE 4"SQ. OUTLET BOX EQUIPPED W/SINGLE JACK/CAT 6 "T/O", FLUSH WALL MTD. BOTTOM @ 24" AFF. PROVIDE CAT6/CMP/PATCH CABLE TO MASTER #5. ROUTE (1) CAT 6 CABLE TO INTERCOM NETWORK NODE CABINET.



PROPOSED FLOOR PLAN 'ZONE A' - CCTV (ISIP) SYSTEM & ePACS
SCALE: 1/16" = 1'-0"



1909-e1.01.dwg March 04 2010 10:55am
FILE LOCATION:
LAST SAVED

 ROLLEY ENGINEERING INC 7759 W. Weber Avenue, Tampa, Florida 33619 TELEPHONE: (813) 889-9333, FAX: (813) 889-9300 Internet: www.rolley.com	consultant	revisions	project / phase	issue date	sheet name
		19013		2022-03-03	PROPOSED ZONE A-CCTV & ePACS

FT. MYERS P&DC
SECURITY UPGRADES

14080 JETPORT LOOP
FT MYERS, FL 33913

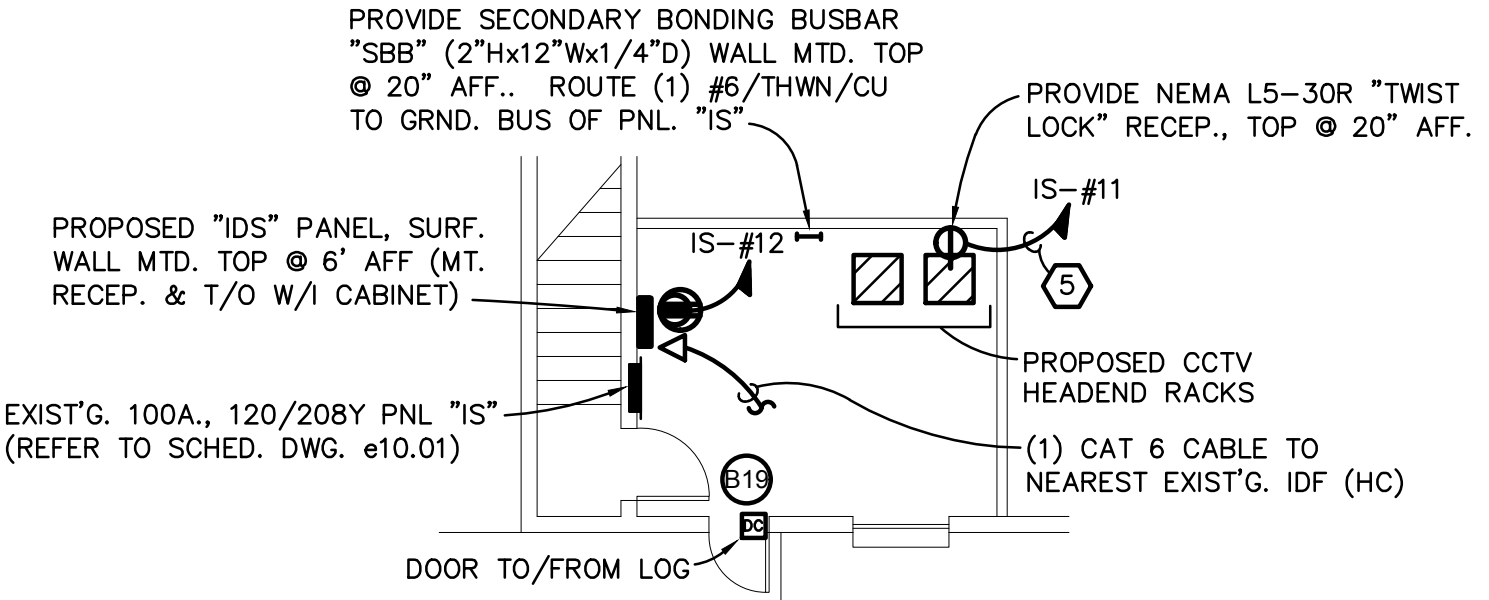
title K65332

MAG 4 INC

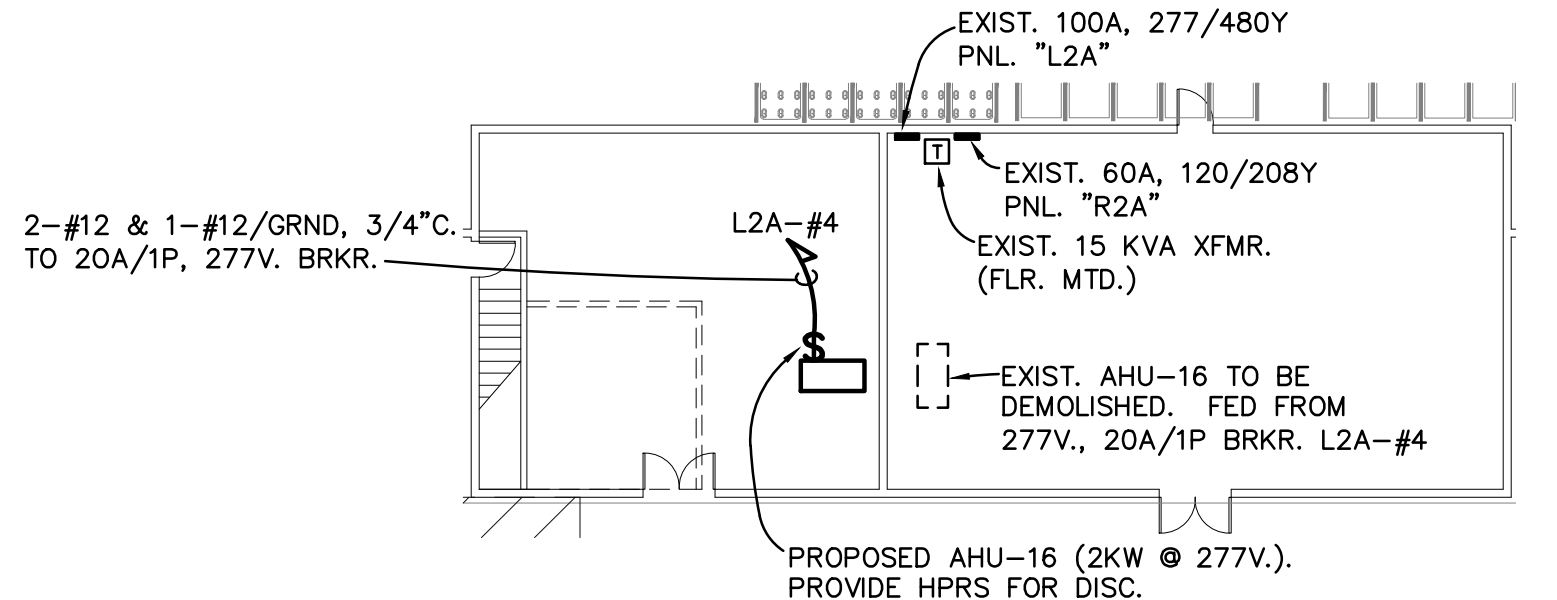
5000 North Kolony Dr | Suite 951 | Tampa, FL 33602
813.284.4441 | info@magn4inc.com | fax:813.284.4441

sheet **e4.01**
11 of 32

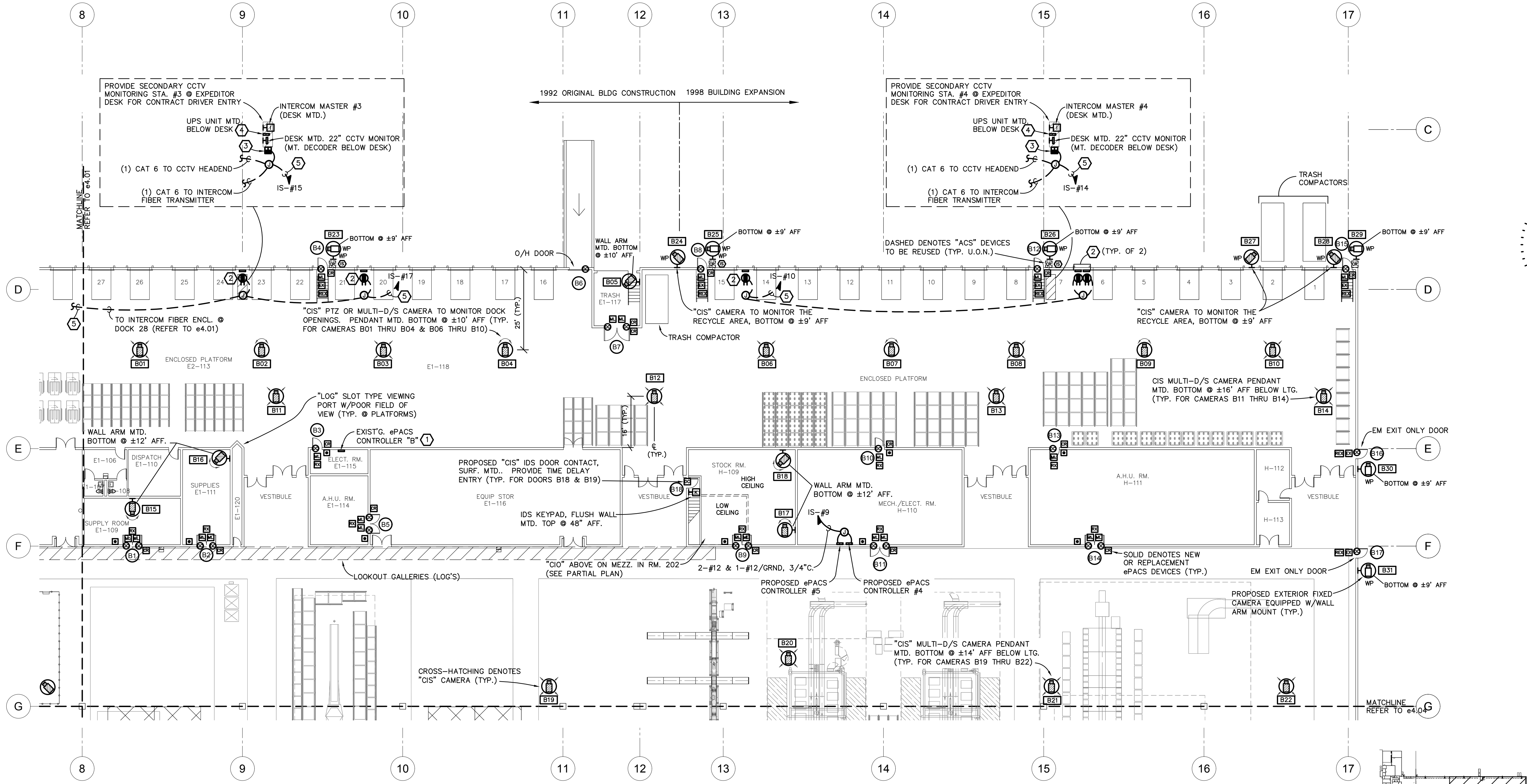
- DRAWING NOTES**
- EXIST'G. ePACS, (16) DOOR CONTROLLER (VANDERBILT # SRCNX-1) SHALL BE SERVICED TO ENSURE ITS PROPER OPERATION. EXIST'G. LOCK POWER SUPPLIES & BATTERIES SHALL BE REPLACED.
 - 18"SQx6"0 INTERIOR VIDEO INTERCOM ENCLOSURE CONT'G. FIBER PATCH PNL., FIBER TRANSMITTER, PWR. SUPPLY & RECP., WALL MTD. BOTTOM @ ±12' AFF., U.O.N.. REFER TO DETAIL DWG. e7.04.
 - PROVIDE 2-3/4"x3"x15" DUAL SECTION, STEEL DATA/PWR POLE CONT'G. (1) DUPLEX, NEMA 5-20R RECP., (2) CAT6/RJ45 JACKS. WIREMOLD #30TP-4V (GRAY).
 - PROVIDE 1000VA/900 WATT, LINE INTERACTIVE TOWER TYPE UPS W/(18) MINUTE BATTERY RESERVE @ 450 WATTS. TRIPP-LITE #SMART1000RML2U.
 - PROVIDE #10/THWN/CU CONDUCTORS (TYP. FOR ENTIRE RUN).



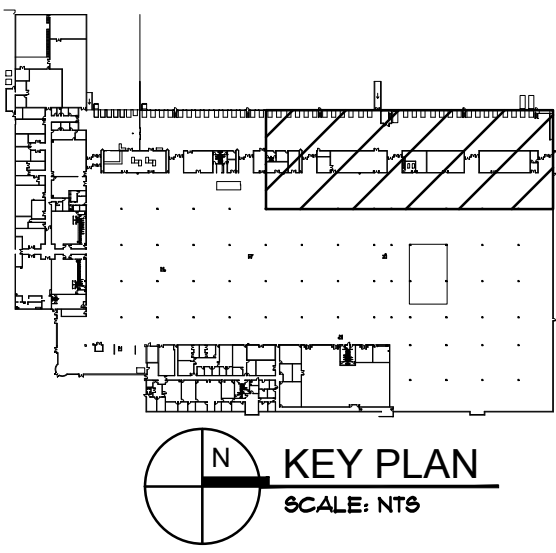
CIO ABOVE ON MEZZ. IN RM 202
SCALE: 1/8" = 1'-0"



STOCK RM H-109 & MECH/ELECT RM H-110
SCALE: 1/16" = 1'-0"



PROPOSED FLOOR PLAN 'ZONE B' - CCTV (ISIP) SYSTEM & ePACS
SCALE: 1/16" = 1'-0"



consultant
ROLLEY ENGINEERING INC.
 7759 W. Waters Avenue, Tampa, Florida 33619
 TELEPHONE: (813) 889-9830 FAX: (813) 889-9800
 www.rolley-engineering.com

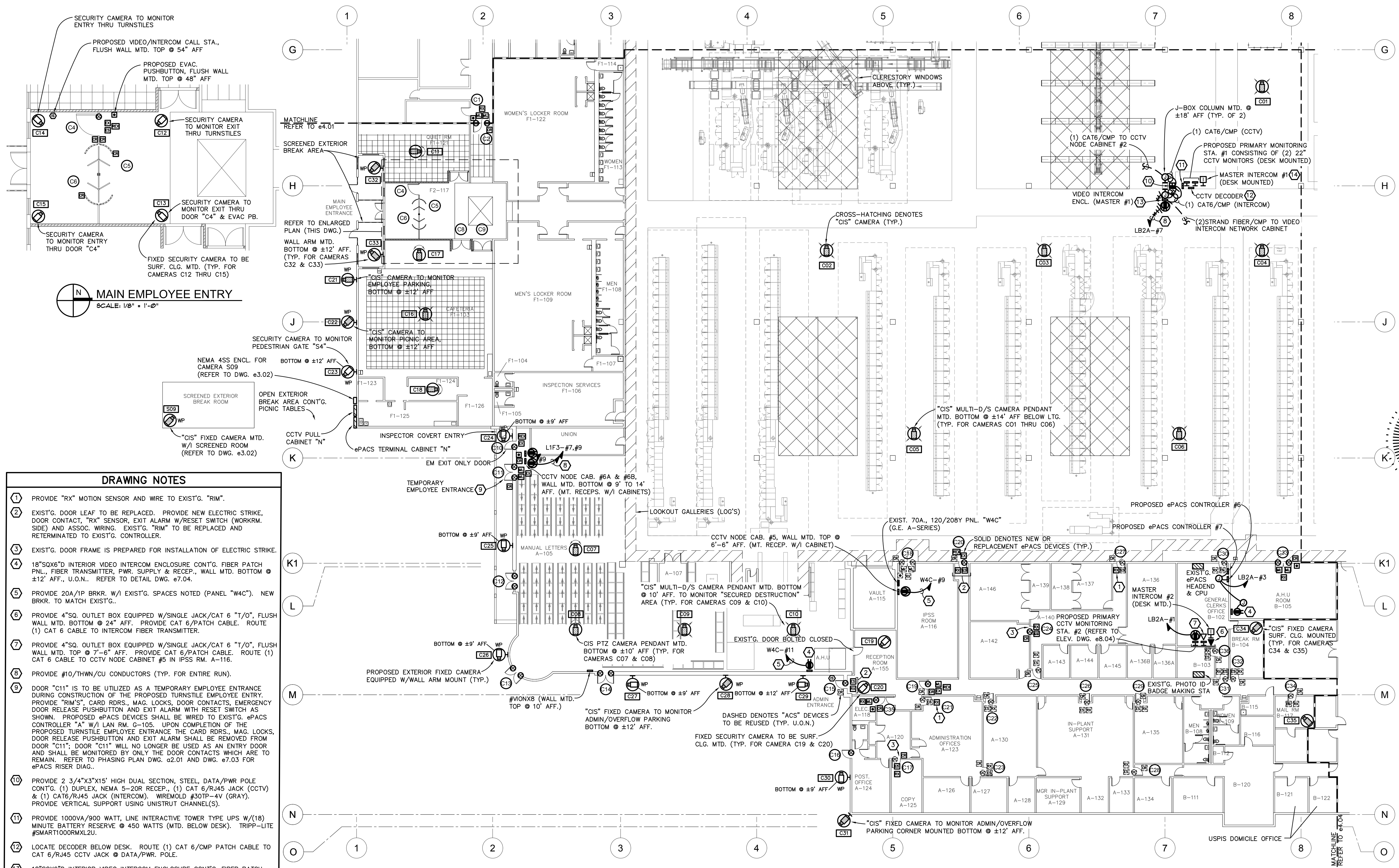
revisions	project / phase	issue date	sheet name
19013		2022-03-03	PROPOSED ZONE B-CCTV & ePACS

FT. MYERS P&D
 SECURITY UPGRADES
 14080 JETPORT LOOP
 FT MYERS, FL 33913
 K65332

MAG 4 INC.
 5000 W. Kennedy Dr | Suite 565 | Tampa, FL 33602
 813.284.4441 | info@mag4inc.com | facebook.com/mag4inc

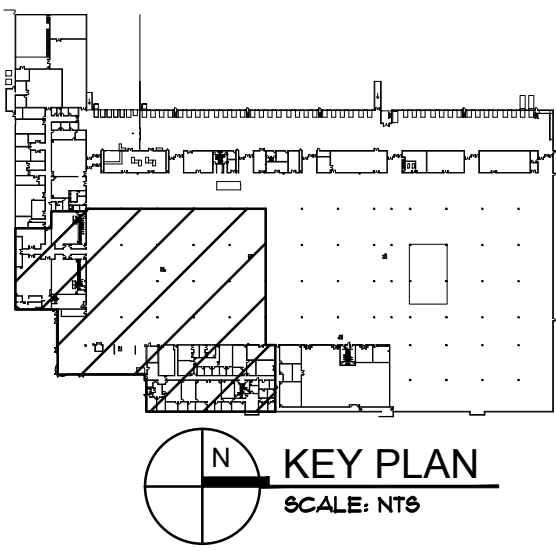
sheet
e4.02
 12 of 32

1909-e101.dwg March 04 2010 10:55am
FILE LOCATION:
LAST SAVED



- ### DRAWING NOTES
- PROVIDE "RX" MOTION SENSOR AND WIRE TO EXIST'G. "RIM".
 - EXIST'G. DOOR LEAF TO BE REPLACED. PROVIDE NEW ELECTRIC STRIKE, DOOR CONTACT, "RX" SENSOR, EXIT ALARM W/RESET SWITCH (WORKRM. SIDE) AND ASSOC. WIRING. EXIST'G. "RIM" TO BE REPLACED AND RETERMINATED TO EXIST'G. CONTROLLER.
 - EXIST'G. DOOR FRAME IS PREPARED FOR INSTALLATION OF ELECTRIC STRIKE.
 - 18"SQX6"D INTERIOR VIDEO INTERCOM ENCLOSURE CONT'G. FIBER PATCH PNL., FIBER TRANSMITTER, PWR. SUPPLY & RECEP., WALL MTD. BOTTOM @ ±12' AFF., U.O.N.. REFER TO DETAIL DWG. e7.04.
 - PROVIDE 20A/1P BRKR. W/1 EXIST'G. SPACES NOTED (PANEL "W4C"). NEW BRKR. TO MATCH EXIST'G..
 - PROVIDE 4"SQ. OUTLET BOX EQUIPPED W/SINGLE JACK/CAT 6 "T/O", FLUSH WALL MTD. BOTTOM @ 24" AFF. PROVIDE CAT 6/PATCH CABLE. ROUTE (1) CAT 6 CABLE TO INTERCOM FIBER TRANSMITTER.
 - PROVIDE 4"SQ. OUTLET BOX EQUIPPED W/SINGLE JACK/CAT 6 "T/O", FLUSH WALL MTD. TOP @ 7'-6" AFF. PROVIDE CAT 6/PATCH CABLE. ROUTE (1) CAT 6 CABLE TO CCTV NODE CABINET #5 IN IPSS RM. A-116.
 - PROVIDE #10/THWN/CU CONDUCTORS (TYP. FOR ENTIRE RUN).
 - DOOR "C11" IS TO BE UTILIZED AS A TEMPORARY EMPLOYEE ENTRANCE DURING CONSTRUCTION OF THE PROPOSED TURNSTILE EMPLOYEE ENTRY. PROVIDE "RIM'S", CARD RDRS., MAG. LOCKS, DOOR CONTACTS, EMERGENCY DOOR RELEASE PUSHBUTTON AND EXIT ALARM WITH RESET SWITCH AS SHOWN. PROPOSED ePACS DEVICES SHALL BE WIRED TO EXIST'G. ePACS CONTROLLER "A" W/1 LAN RM. G-105. UPON COMPLETION OF THE PROPOSED TURNSTILE EMPLOYEE ENTRANCE THE CARD RDRS., MAG. LOCKS, DOOR RELEASE PUSHBUTTON AND EXIT ALARM SHALL BE REMOVED FROM DOOR "C11"; DOOR "C11" WILL NO LONGER BE USED AS AN ENTRY DOOR AND SHALL BE MONITORED BY ONLY THE DOOR CONTACTS WHICH ARE TO REMAIN. REFER TO PHASING PLAN DWG. e2.01 AND DWG. e7.03 FOR ePACS RISER DIAG.
 - PROVIDE 2 3/4"x3"x15" HIGH DUAL SECTION, STEEL, DATA/PWR POLE CONT'G. (1) DUPLEX, NEMA 5-20R RECEP., (1) CAT 6/RJ45 JACK (CCTV) & (1) CAT6/RJ45 JACK (INTERCOM). WIREMOLD #30TP-4V (GRAY). PROVIDE VERTICAL SUPPORT USING UNISTRUT CHANNEL(S).
 - PROVIDE 1000VA/900 WATT, LINE INTERACTIVE TOWER TYPE UPS W/(18) MINUTE BATTERY RESERVE @ 450 WATTS (MTD. BELOW DESK). TRIPP-LITE #SMART1000RML2U.
 - LOCATE DECODER BELOW DESK. ROUTE (1) CAT 6/CMP PATCH CABLE TO CAT 6/RJ45 CCTV JACK @ DATA/PWR. POLE.
 - 18"SQX6"D INTERIOR VIDEO INTERCOM ENCLOSURE CONT'G. FIBER PATCH PNL., FIBER TRANSMITTER, PWR. SUPPLY & RECEP., COLUMN MTD. BOTTOM @ ±18' AFF.. REFER TO DETAIL DWG. e7.04.
 - ROUTE (1) CAT6/CMP PATCH CORD FROM INTERCOM MASTER TO CAT6/RJ45 INTERCOM JACK @ DATA/PWR. POLE.

PROPOSED FLOOR PLAN 'ZONE C' - CCTV (ISIP) SYSTEM & ePACS
SCALE: 1/16" = 1'-0"

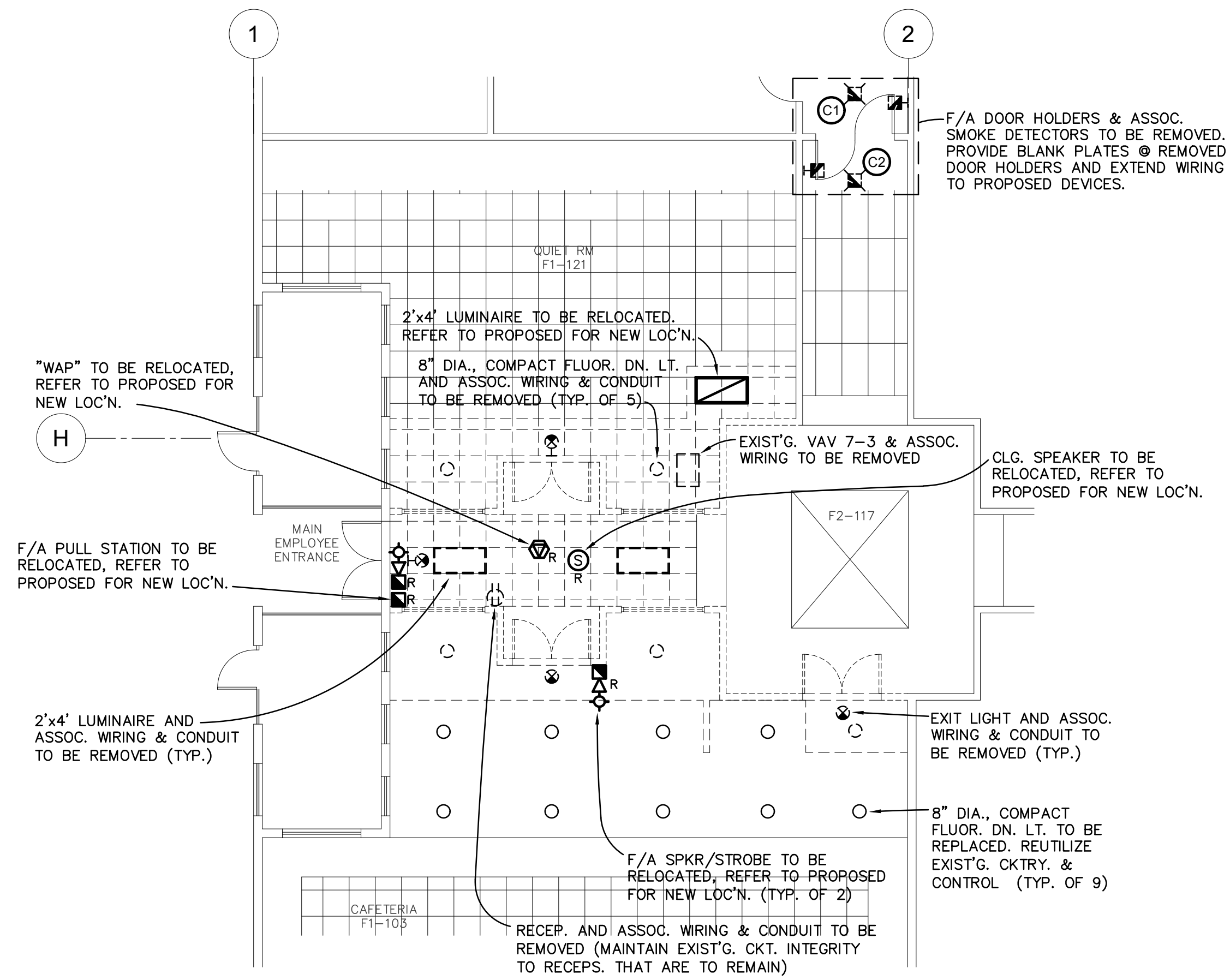


consultant
 revisions
 project | phase
 issue date
 sheet name
 consultant
 A. ROLLEY
 LICENSE
 No 21600
 STATE OF
 FLORIDA
 PROFESSIONAL ENGINEER
 PROJECT NO. 2022-03-03
 SHEET NO. 4 OF 4
 PROPOSED ZONE C-CCTV & ePACS

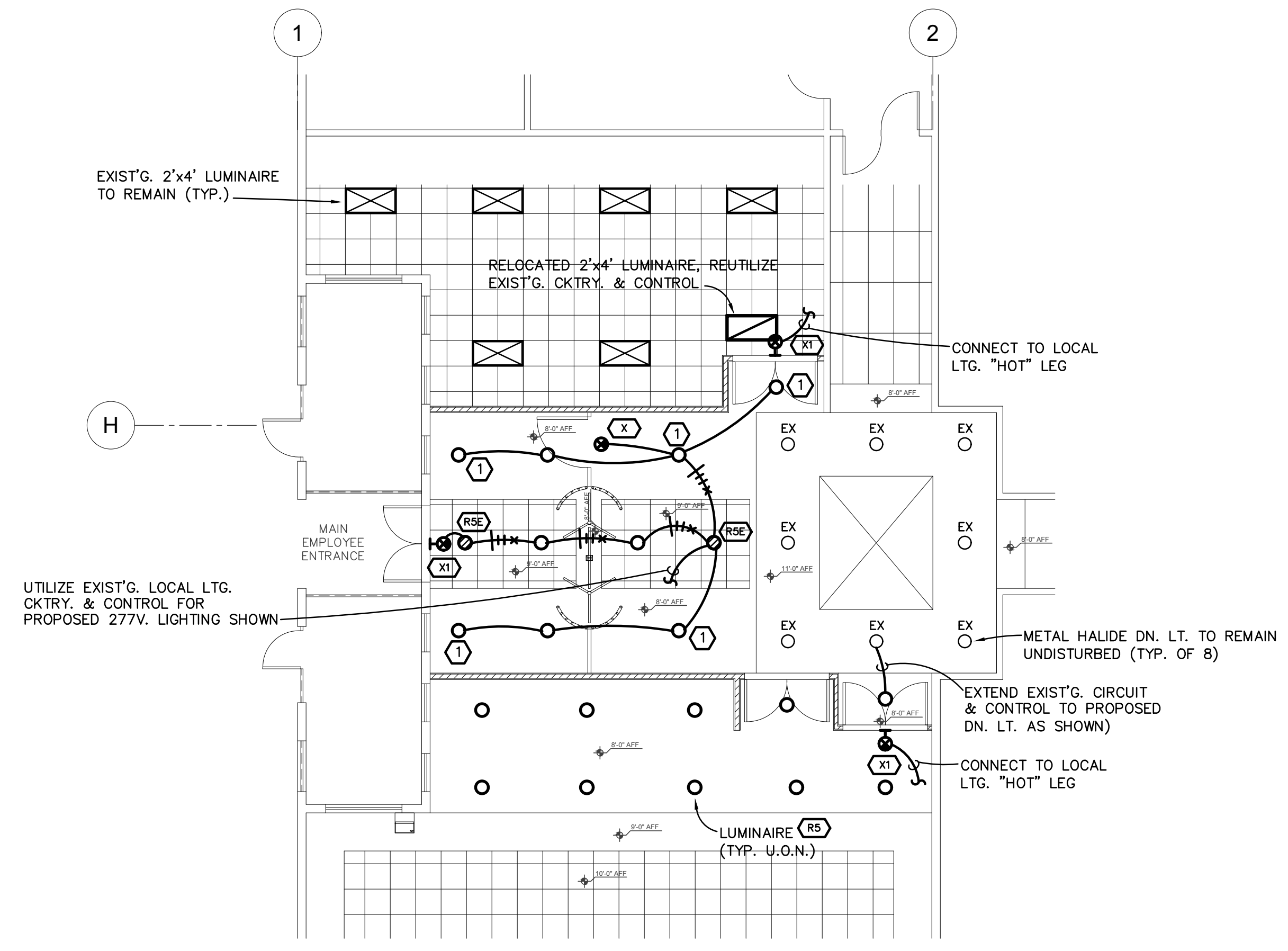
19013
 2022-03-03
 FT. MYERS P&D SECURITY UPGRADES
 14080 JETPORT LOOP
 FT MYERS, FL 33913
 K65332

title
 MAG 4 INC
 500 North Ashley Dr | Suite 505 | Tampa, FL 33602
 813.284.4441 | info@magn4inc.com | fax:800.653.2022

sheet
 e4.03
 13 of 32



MAIN EMPLOYEE ENTRY - DEMOLITION ELECTRICAL PLAN
SCALE: 1/8" = 1'-0"

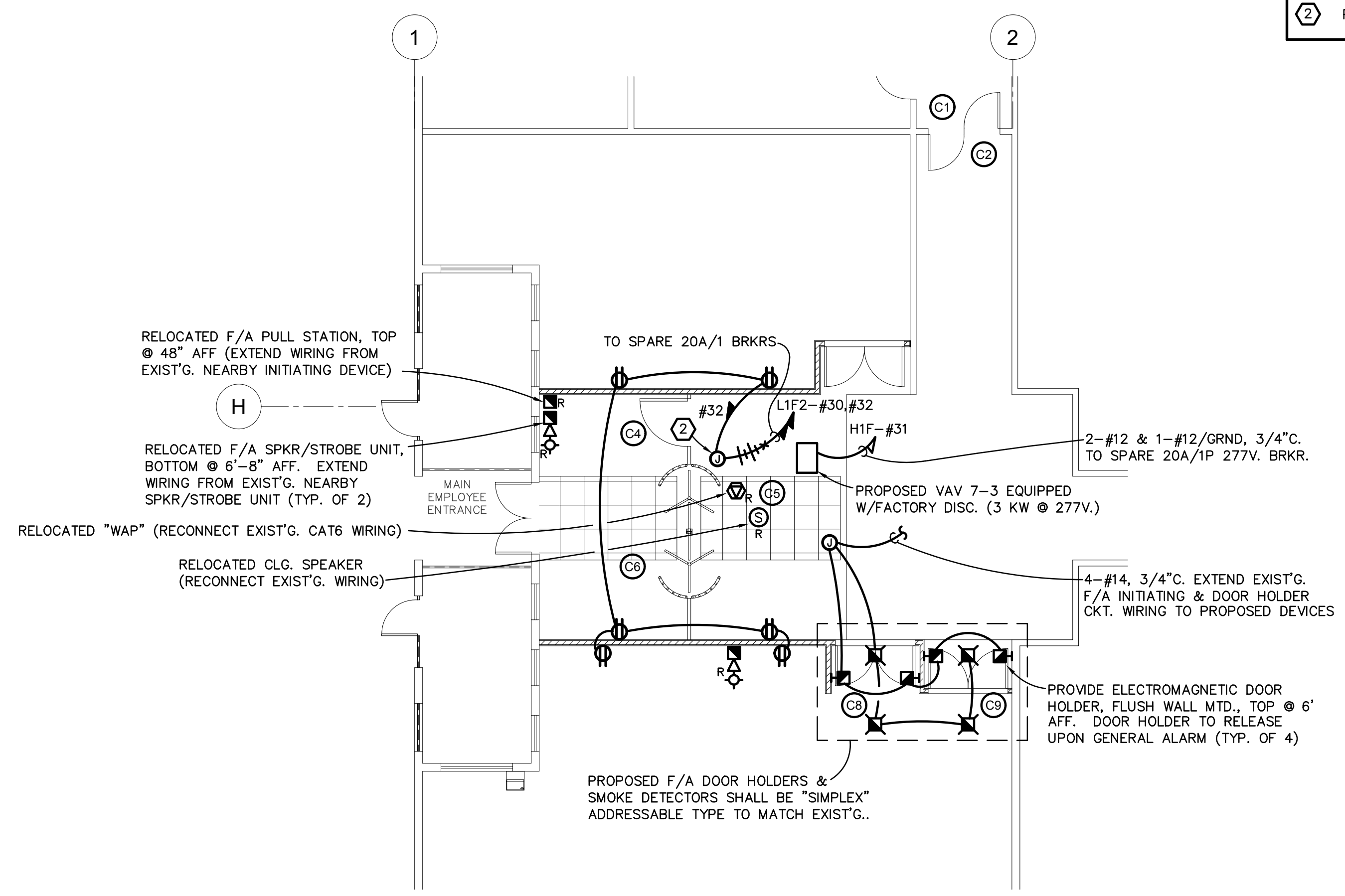


PROPOSED MAIN EMPLOYEE ENTRY - LIGHTING
SCALE: 1/8" = 1'-0"

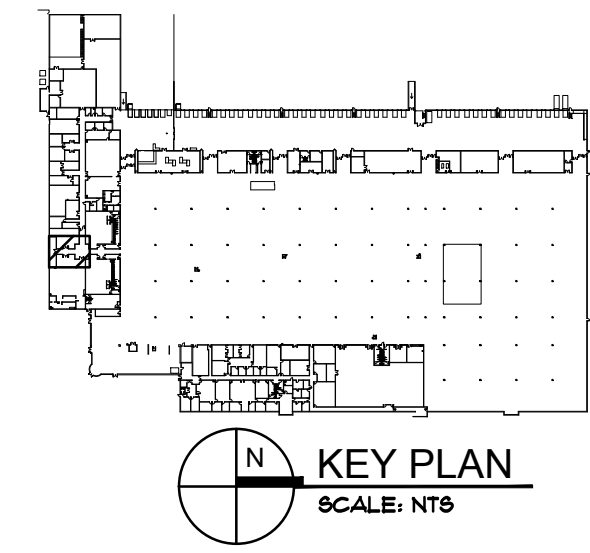
DRAWING NOTES	
①	DOWNLIGHT SHALL BE ENCASED W/ 1HR FIRE RATED, GYPSUM DRYWALL BOX.
②	PROVIDE J-BOX & 120 VOLT CKTRY. FOR PROPOSED TURNSTILE.

LUMINAIRE SCHEDULE					
MARK	WATTS	LAMP	VOLTS	DESCRIPTION	COMMENTS
RS	15	LED ARRAY (1500 LUMENS) (4000°K)	120/277V	6" OPEN "LED" DOWNLIGHT W/WHITE REFLECTOR/TRIM. GOTHAM #V06-40/15-6WR-MD-LD-MVOLT-EZ10	RECESS MTD. (SELF FLANGED)
RSE			120/277-6V	SAME AS TYPE "RS" EXCEPT EQUIPPED W/ INTEGRAL BATTERY PACK. GOTHAM #V06-40/15-WR-MD-LD-MVOLT-EZ10-EL	
X	5	LED LIGHT SOURCE		SINGLE FACE BATTERY OPERATED "LED" TYPE EXIT LIGHT W/UNIVERSAL ARROWS, RED LETTERS, NICKEL CADMIUM BATTERY, POLYCARBONATE HOUSING & WHITE FINISH. LITHONIA #LGM-S-W-3-R-120/277-ELN-SD	TOP MTD. (SUPPORT FROM STRUCTURE ABOVE)
XI				SAME AS TYPE "X" EXCEPT BACK MOUNTED. LITHONIA #LGM-S-W-3-R-120/277-ELN-SD	BACK MOUNTED ABOVE DOOR OR TOP @ 7'-6" AFF.

- NOTE:**
1. PROVIDE LUMINAIRE SUBMITTAL FOR ENGINEER'S APPROVAL, PRIOR TO INSTALLATION.
 2. ALL METAL COMPONENTS OF LUMINAIRES SHALL BE FACTORY PAINTED AFTER FABRICATION.
 3. ALL EMERG. BATTERY PACKS SHALL PROVIDE 90 MINUTES OF ILLUMINATION @ 700 LUMENS.



PROPOSED MAIN EMPLOYEE ENTRY - POWER & MISC.
SCALE: 1/8" = 1'-0"



consultant

ROLLEY ENGINEERING INC.
7759 W. Weber Avenue, Tampa, Florida 33615
TELEPHONE: (813) 889-9330 FAX: (813) 889-9331
www.rolley-engineering.com

revisions

19013	2022-03-03
-------	------------

project / phase

issue date

sheet name

MAIN EMPLOYEE ENTRY

ROBERT A. ROLLEY
LICENSE No. 21600
STATE OF FLORIDA
PROFESSIONAL ENGINEER

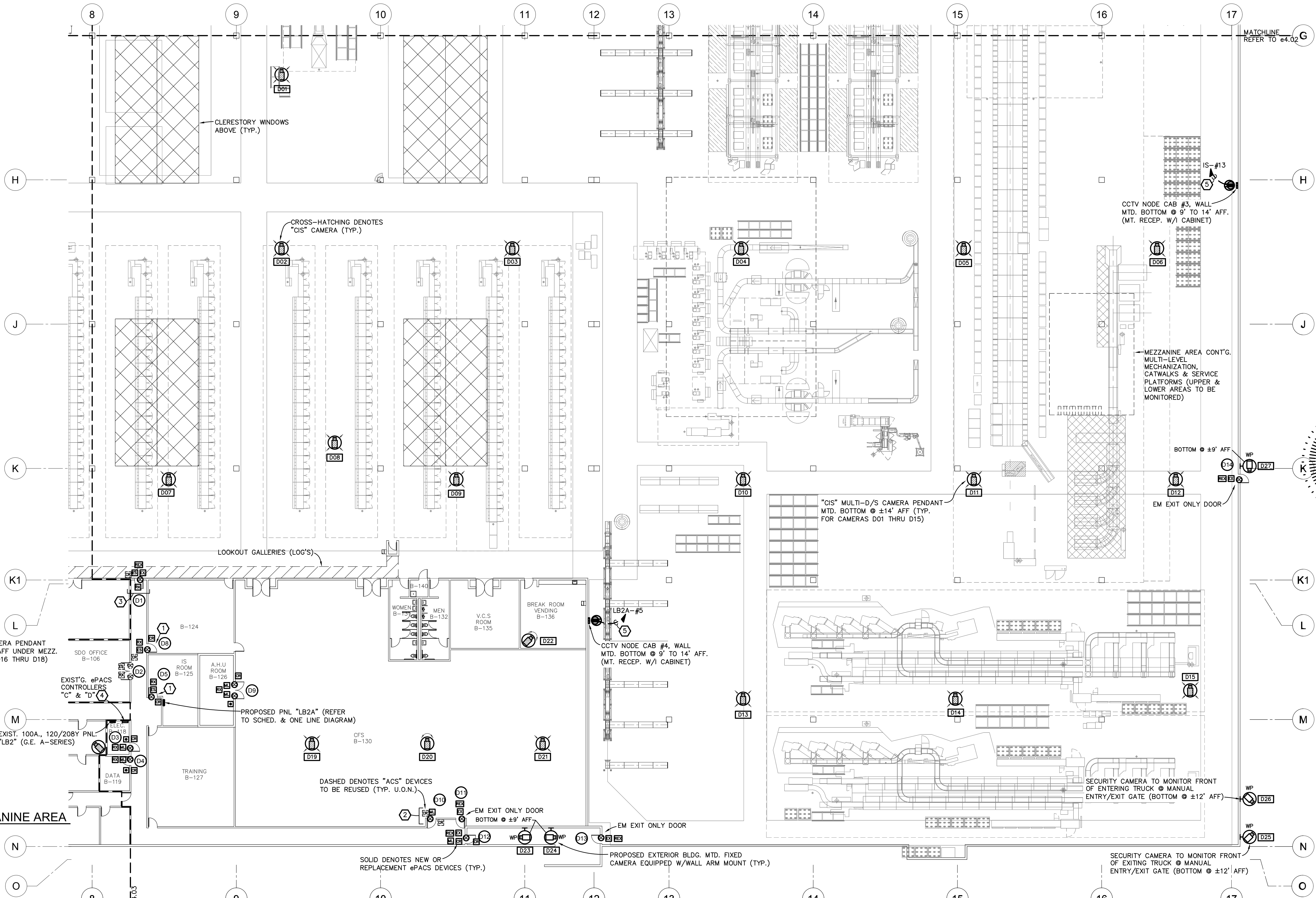
FT. MYERS P&D
SECURITY UPGRADES

14080 JETPORT LOOP
FT MYERS, FL 33913

title

K65332

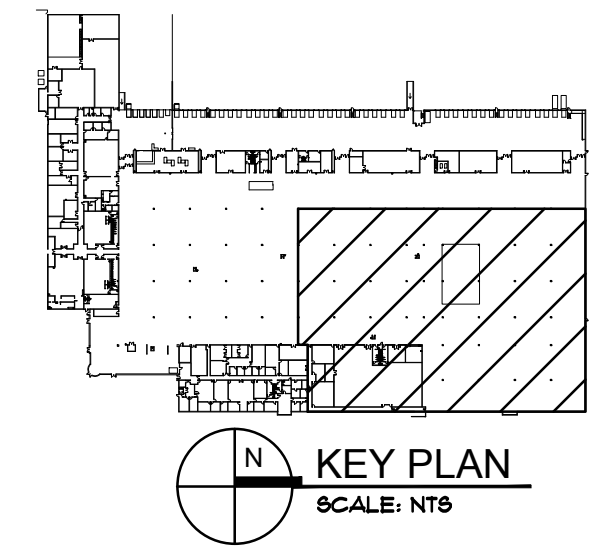
MAG 4 INC.
5000 North Ashley Dr | Suite 505 | Tampa, FL 33602
813.284.4441 | info@mag4inc.com | facebook.com/mag4inc



LOWER LEVEL MEZZANINE AREA
 SCALE: 1/16" = 1'-0"

- DRAWING NOTES**
- EXIST'G. DOOR FRAME IS PREPARED FOR INSTALLATION OF ELECTRIC STRIKE.
 - EXIST'G. DOOR LEAF TO BE REPLACED. PROVIDE NEW MAG. LOCK, DOOR CONTACT & ASSOC. WIRING. EXIST'G. "RIM" TO BE REPLACED AND RETERMINATED TO EXIST'G. CONTROLLER.
 - EXIST'G. DOOR LEAF TO BE REPLACED. PROVIDE NEW ELECTRIC STRIKE, "RM" SENSOR, DOOR CONTACT, EXIT ALARM & ASSOC. WIRING. EXIST'G. "RIM" TO BE REPLACED AND RETERMINATED TO EXIST'G. CONTROLLER.
 - EXIST'G. EPACS, (16) DOOR CONTROLLER (VANDERBILT # SRCNX-1) SHALL BE SERVICED TO ENSURE IT'S PROPER OPERATION. EXIST'G. LOCK POWER SUPPLIES & BATTERIES SHALL BE REPLACED.
 - PROVIDE #10/THWN/CU CONDUCTORS (TYP. FOR ENTIRE RUN).

PROPOSED FLOOR PLAN 'ZONE D' - CCTV (ISIP) SYSTEM & ePACS
 SCALE: 1/16" = 1'-0"



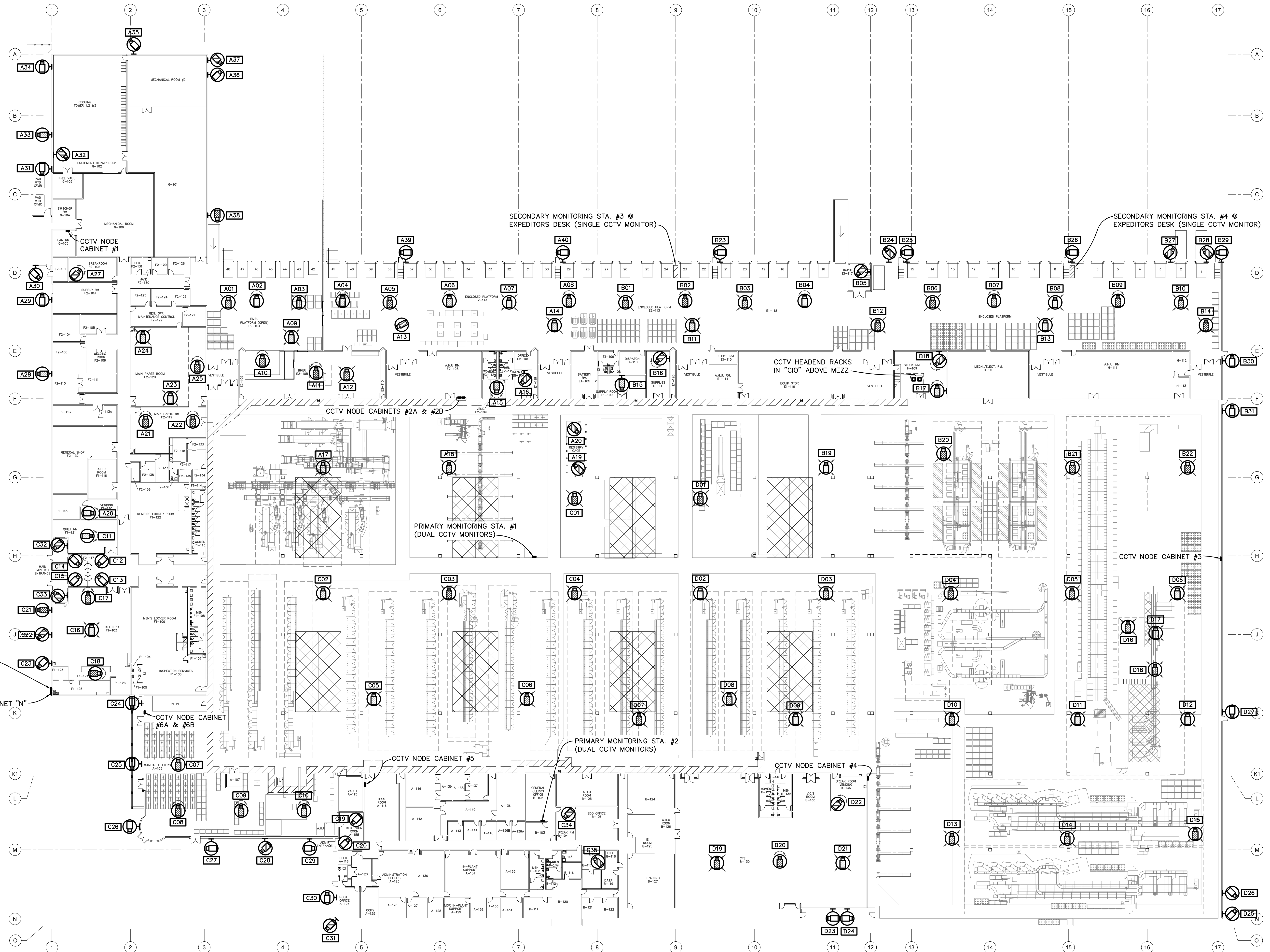
ROLLEY ENGINEERING INC.
 consultant
 7759 W. Vector Avenue, Tampa, Florida 33619
 Telephone: (813) 886-8330 Fax: (813) 886-8331
 Email: rolley@rolley.com Website: www.rolley.com

project / phase: **FT. MYERS P&D SECURITY UPGRADES**
 issue date: 19013
 2022-03-03
 sheet name: PROPOSED ZONE D-CCTV & ePACS

title: **FT. MYERS P&D SECURITY UPGRADES**
 14080 JETPORT LOOP
 FT MYERS, FL 33913
 K653332

MAG 4 INC.
 6000 N. Dale Hwy | Suite 505 | Tampa, FL 33622
 813.264.4441 | info@mag4inc.com | Fax: 813.264.1652

sheet: **e4.04**
 15 of 32



OVERALL PLAN NOTE

1. THE PROPOSED CAMERA POSITIONS HAVE BEEN LOCATED ON THIS OVERALL FLOOR PLAN. THE CONTRACTOR SHALL POST AN "AS-BUILT" COPY OF THIS OVERALL PLAN IN THE INVESTIGATIVE OFFICE. PLAN SHALL BE 36"x24" IN SIZE AND SHALL BE FRAMED AND MOUNTED UNDER GLASS.

OVERALL BUILDING PLAN - PROPOSED CAMERA POSITIONS
 SCALE: 1" = 30'-0"

consultant

ROLLEY ENGINEERING INC.
 7759 W. Weber Avenue, Tampa, Florida 33615
 TELEPHONE: (813) 889-9333 FAX: (813) 889-9300
 ROBERT A. ROLLEY, P.E. #6160

revisions

19013	2022-03-03
-------	------------

project / phase

issue date

sheet name

OVERALL BLDG PLAN - CAMERA

ROBERT A. ROLLEY
 LICENSE No 21600
 STATE OF FLORIDA
 PROFESSIONAL ENGINEER

FT. MYERS P&DC
 SECURITY UPGRADES

14080 JETPORT LOOP
 FT MYERS, FL 33913

title

MAG 4 INC.
 5000 North Skyway Dr | Suite 567 | Tampa, FL 33602
 813.284.4441 | info@mag4inc.com | fax:888.1632

K653332

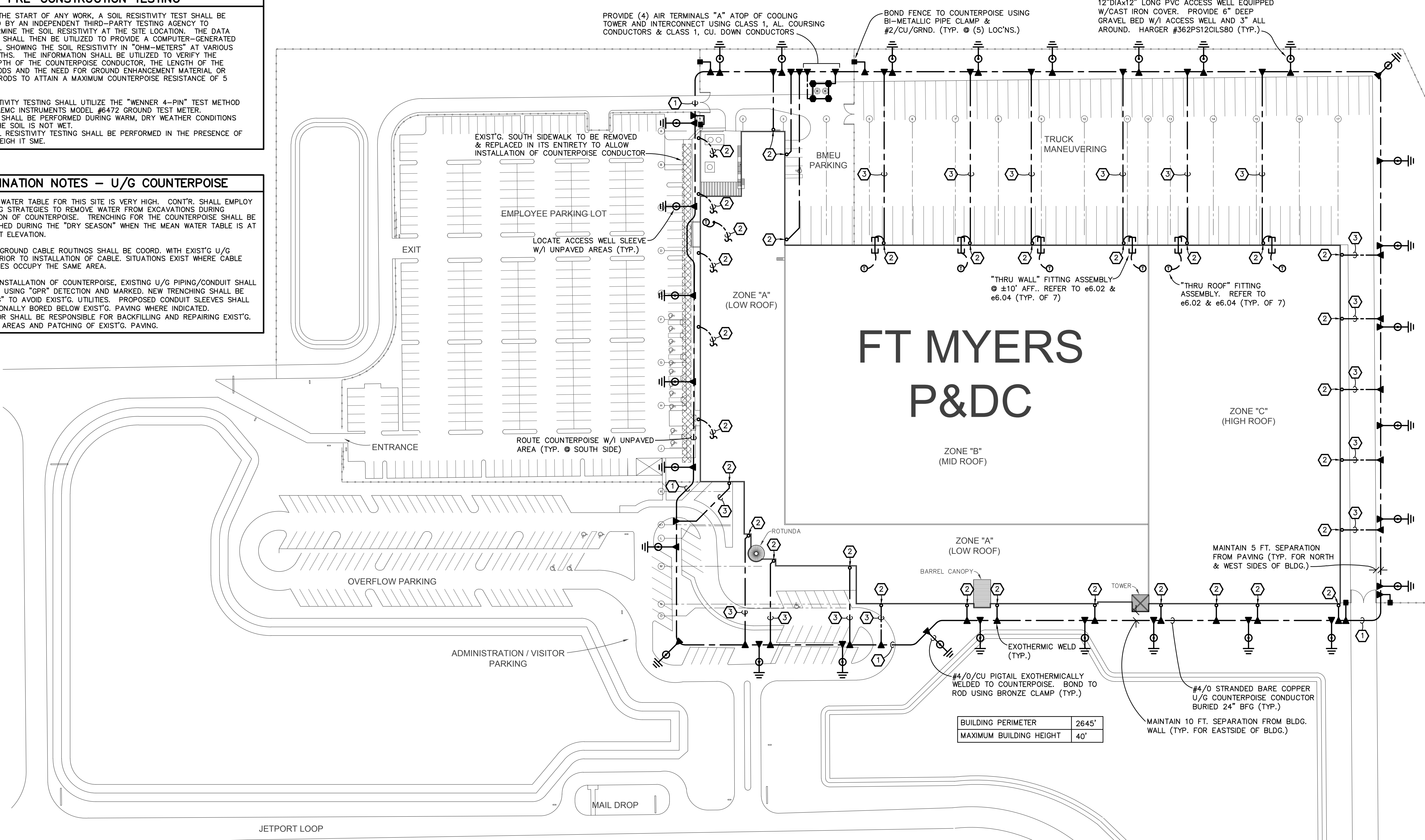
MAG 4 INC.

PRE-CONSTRUCTION TESTING

- PRIOR TO THE START OF ANY WORK, A SOIL RESISTIVITY TEST SHALL BE PERFORMED BY AN INDEPENDENT THIRD-PARTY TESTING AGENCY TO PRE-DETERMINE THE SOIL RESISTIVITY AT THE SITE LOCATION. THE DATA COLLECTED SHALL THEN BE UTILIZED TO PROVIDE A COMPUTER-GENERATED SOIL MODEL SHOWING THE SOIL RESISTIVITY IN "OHM-METERS" AT VARIOUS LAYER DEPTHS. THE INFORMATION SHALL BE UTILIZED TO VERIFY THE BURIAL DEPTH OF THE COUNTERPOISE CONDUCTOR, THE LENGTH OF THE GROUND RODS AND THE NEED FOR GROUND ENHANCEMENT MATERIAL OR CHEMICAL RODS TO ATTAIN A MAXIMUM COUNTERPOISE RESISTANCE OF 5 OHMS.
- SOIL RESISTIVITY TESTING SHALL UTILIZE THE "WENNER 4-PIN" TEST METHOD AND THE AEMC INSTRUMENTS MODEL #6472 GROUND TEST METER.
 - TESTING SHALL BE PERFORMED DURING WARM, DRY WEATHER CONDITIONS WHEN THE SOIL IS NOT WET.
 - THE SOIL RESISTIVITY TESTING SHALL BE PERFORMED IN THE PRESENCE OF THE RALEIGH IT SME.

COORDINATION NOTES - U/G COUNTERPOISE

- THE MEAN WATER TABLE FOR THIS SITE IS VERY HIGH. CONTR. SHALL EMPLOY DEWATERING STRATEGIES TO REMOVE WATER FROM EXCAVATIONS DURING INSTALLATION OF COUNTERPOISE. TRENCHING FOR THE COUNTERPOISE SHALL BE ACCOMPLISHED DURING THE "DRY SEASON" WHEN THE MEAN WATER TABLE IS AT ITS LOWEST ELEVATION.
- ALL UNDERGROUND CABLE ROUTINGS SHALL BE COORD. WITH EXIST'G U/G UTILITIES PRIOR TO INSTALLATION OF CABLE. SITUATIONS EXIST WHERE CABLE AND UTILITIES OCCUPY THE SAME AREA.
- PRIOR TO INSTALLATION OF COUNTERPOISE, EXISTING U/G PIPING/CONDUIT SHALL BE TRACED USING "GPR" DETECTION AND MARKED. NEW TRENCHING SHALL BE "HAND DUG" TO AVOID EXIST'G UTILITIES. PROPOSED CONDUIT SLEEVES SHALL BE DIRECTIONALLY BORED BELOW EXIST'G PAVING WHERE INDICATED. CONTRACTOR SHALL BE RESPONSIBLE FOR BACKFILLING AND REPAIRING EXIST'G DISTURBED AREAS AND PATCHING OF EXIST'G PAVING.

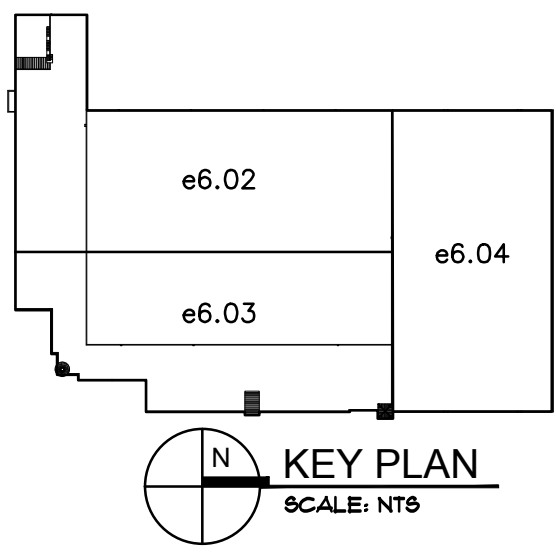


- TESTING REQUIREMENTS**
- TEST GROUND RESISTANCE OF SYSTEM WITH GROUND RESISTANCE TESTER. GROUND ROD RESISTANCE SHALL NOT EXCEED (5) OHMS. THE RESISTANCE OF THE GROUNDING SYSTEM SHALL NOT EXCEED (5) OHMS. WHERE TEST SHOW RESISTANCE-TO-GROUND IS OVER (5) OHMS, TAKE APPROPRIATE ACTION TO REDUCE RESISTANCE TO (5) OHMS, OR LESS, BY DRIVING ADDITIONAL GROUND RODS; THEN RETEST TO DEMONSTRATE COMPLIANCE.
 - METHOD FOR TESTING INDIVIDUAL GROUND RODS AND OVERALL GROUNDING SYSTEM SHALL BE ACCOMPLISHED BY THE THREE POINT METHOD PER MILITARY HANDBOOK 419. TEST PROBES SHALL BE PLACED MINIMUM OF 30 FEET AND 60 FEET FROM ROD BEING TESTED. FURNISH TYPE WRITTEN REPORT OF ALL TEST RESULTS.

- BIDDING NOTES**
- THE PROVISIONS SHOWN AND SPECIFIED FOR THE INSTALLATION OF THE BUILDING LIGHTNING PROTECTION AND COUNTERPOISE SYSTEMS (DWGS. e6.01 THRU e6.05) ARE TO BE SEPARATELY PRICED AND QUOTED AS "BID ALTERNATE No. 1".
 - THE DESIGN IS BASED ON A LIGHTNING PROTECTION & COUNTERPOISE SYSTEM UTILIZING PRODUCTS MANUFACTURED BY HARGER LIGHTNING AND GROUNDING COMPANY. THE DESIGN HAS BEEN COORDINATED WITH ALL SOUTH LIGHTNING PROTECTION LOCATED AT 4759 N.W. 103RD AVE, SUNRISE FL, 33351. SOUTH FLORIDA BRANCH MGR.: ROGER HARNEY; TEL: (954) 742-4164 email: roger@aslp.net.

- DRAWING NOTES**
- 2" PVC SLEEVE @ 24" BFG TO BE DIRECTIONALLY BORED ON EITHER SIDE OF EXIST'G PAVING FOR TRANSPORTATION OF COUNTERPOISE CONDUCTOR.
 - CLASS 1, CU. DOWN CONDUCTOR ROUTED DOWN TO U/G COUNTERPOISE EXPOSED & SECURED TO EXTERIOR WALL AND EXOTHERMICALLY WELDED TO THE COUNTERPOISE. PROVIDE NONMETALLIC "HALF PIPE" PROTECTIVE COVER AROUND CONDUCTOR UP TO 6"-6" AFG..
 - 2" PVC SLEEVE @ 24" BFG TO BE DIRECTIONALLY BORED BELOW EXIST'G PAVING FOR TRANSPORTATION OF DOWN CONDUCTOR.

PROPOSED SITE PLAN - UNDERGROUND COUNTERPOISE (ALTERNATE No.1)
SCALE: 1"=60'-0"



FT. MYERS P&DC SECURITY UPGRADES
14080 JETPORT LOOP
FT MYERS, FL 33913

title K65332

consultant **ROLLEY ENGINEERING INC.**
7759 W. Webster Avenue, Tampa, Florida 33615
TELEPHONE: (813) 889-9833 FAX: (813) 889-9800
www.rolleyeng.com Project No. #1600

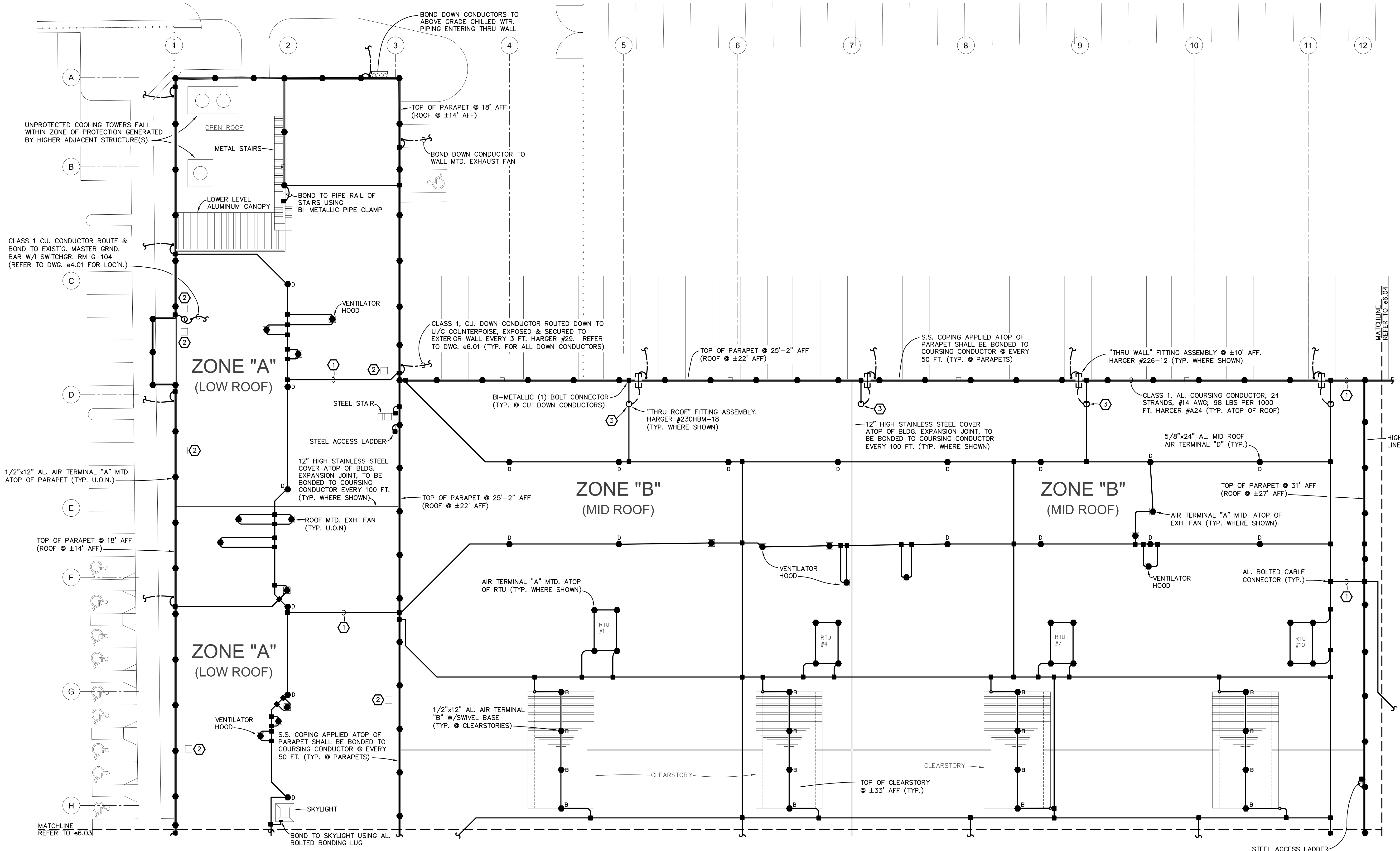
revisions

project / phase	19013
issue date	2022-03-03
sheet name	SITE PLAN - COUNTERPOISE

Professional Engineer
A. ROLLEY
No 21600
STATE OF FLORIDA
PROFESSIONAL ENGINEER

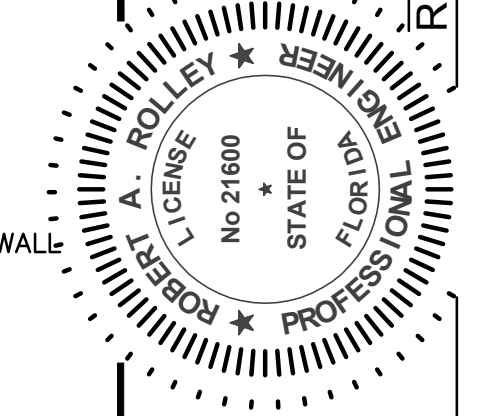
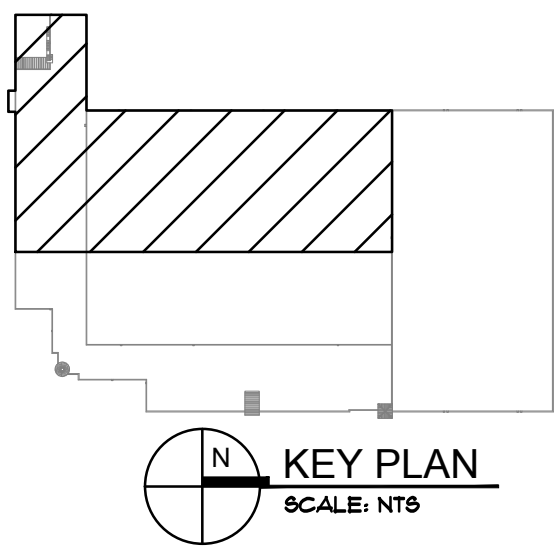
MAG 4 INC.
5000 McMullen Highway, Dr 11, Suite 967 | Tampa, FL 33602
813.284.4441 | info@mag4inc.com | fax:800.763.02

1909-e1.01.dwg March 04, 2010 10:55am
FILE LOCATION:
LAST SAVED



- DRAWING NOTES**
- ① EXPOSED CONDUCTOR ROUTED DOWN FROM ROOF LEVEL TO LOWER ROOF LEVEL. FASTEN TO WALL EVERY 3 FT..
 - ② UNPROTECTED EXHAUST FAN FALLS WITHIN ZONE OF PROTECTION GENERATED BY HIGHER ADJACENT STRUCTURE(S).
 - ③ CONSTRUCTION OF THE SOFFIT ABOVE THE TRUCK TRAILER STALLS WILL NOT PERMIT INSTALLATION OF A TOTALLY EXPOSED DOWN CONDUCTOR ROUTED TO THE U/G COUNTERPOISE. CLASS 1, CU DOWN CONDUCTOR SHALL THEREFORE BE ROUTED DOWN THRU ROOF, BONDED TO INTERIOR BLDG. STEEL AND ROUTED THRU WALL @ ±10' AFF. USING "THRU WALL" ASSEMBLY. DOWN CONDUCTOR SHALL THEN BE ROUTED EXPOSED & SECURED TO EXTERIOR WALL (SEE ELEVATION DWG. e6.04)..

PARTIAL ROOF PLAN (SOUTHWEST) - LIGHTNING PROTECTION SYSTEM (ALTERNATE No. 1)
 SCALE: 1" = 20' - 0"



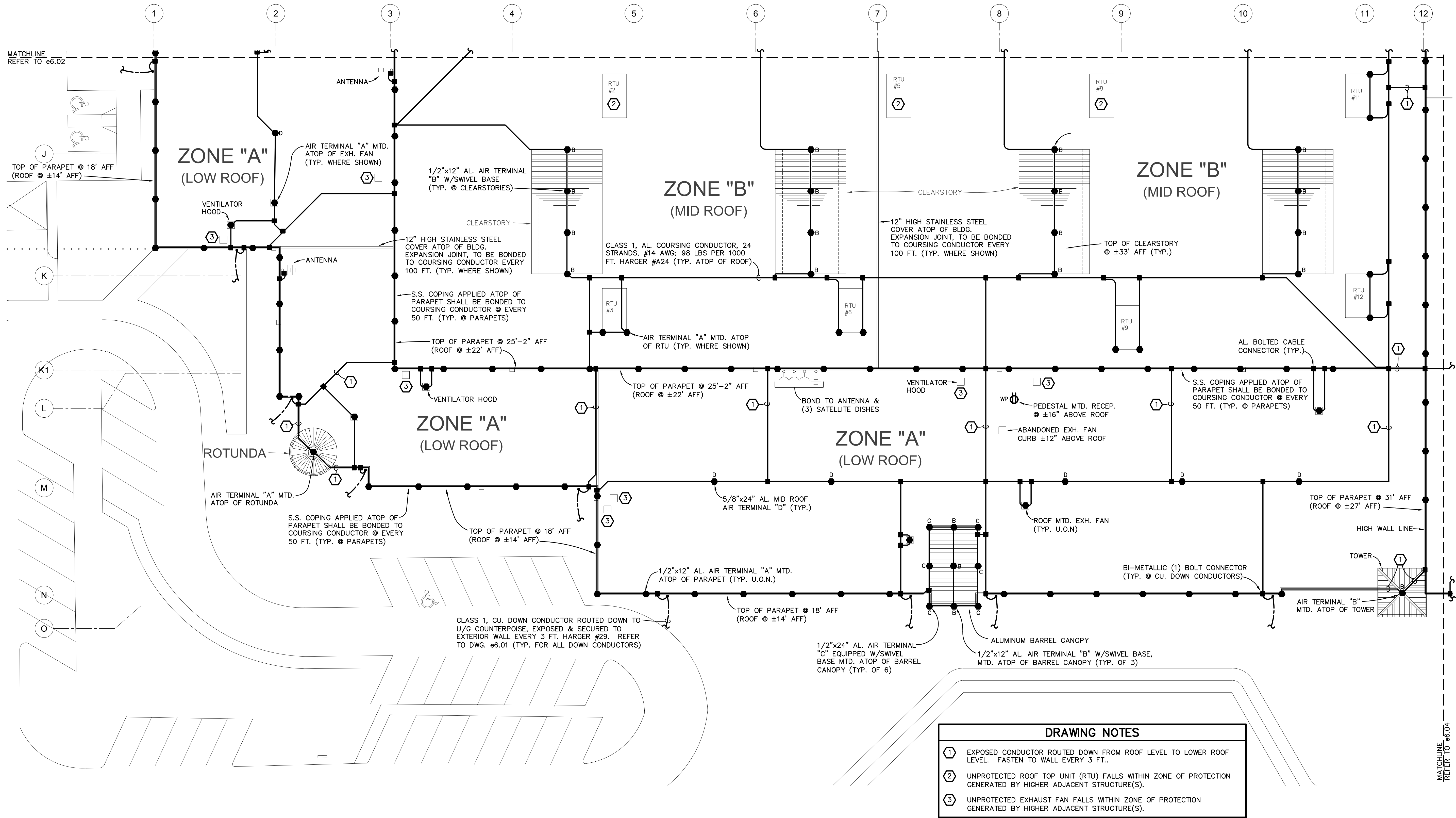
consultant
ROLLEY ENGINEERING INC.
 7759 W. Waters Avenue, Tampa, Florida 33615
 TELEPHONE: (813) 889-9330, FAX: (813) 889-0001
 Robert Rolley, License #21600

revisions	19013	2022-03-03
project / phase	ROOF-LIGHTNING PROTECTION	
issue date	2022-03-03	
sheet name	ROOF-LIGHTNING PROTECTION	

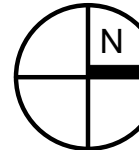
title
FT. MYERS P&D SECURITY UPGRADES
 14080 JETPORT LOOP
 FT MYERS, FL 33913

K653332



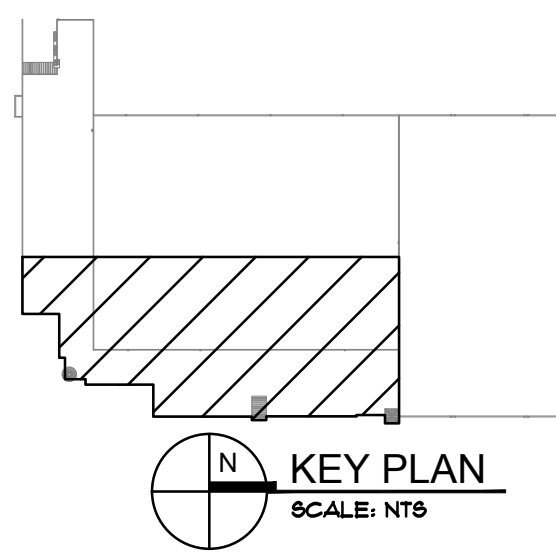


DRAWING NOTES	
①	EXPOSED CONDUCTOR ROUTED DOWN FROM ROOF LEVEL TO LOWER ROOF LEVEL. FASTEN TO WALL EVERY 3 FT.
②	UNPROTECTED ROOF TOP UNIT (RTU) FALLS WITHIN ZONE OF PROTECTION GENERATED BY HIGHER ADJACENT STRUCTURE(S).
③	UNPROTECTED EXHAUST FAN FALLS WITHIN ZONE OF PROTECTION GENERATED BY HIGHER ADJACENT STRUCTURE(S).



PARTIAL ROOF PLAN (SOUTHEAST) - LIGHTNING PROTECTION SYSTEM (ALTERNATE No.1)

SCALE: 1"=20'-0"



MATCHLINE REFER TO e6.04

MATCHLINE REFER TO e6.02

consultant

revisions

project / phase

issue date

sheet name

license

state of

profession

title

project / phase

issue date

sheet name

license

state of

profession

title

sheet

ROLLEY ENGINEERING INC
 7759 W. Weber Avenue, Tampa, Florida 33615
 TELEPHONE: (813) 889-9330 FAX: 889-0001
 ROBERT ROLLEY, P.E. #6160

no.	description	date
19013		2022-03-03

19013
 2022-03-03

ROOF-LIGHTNING PROTECTION



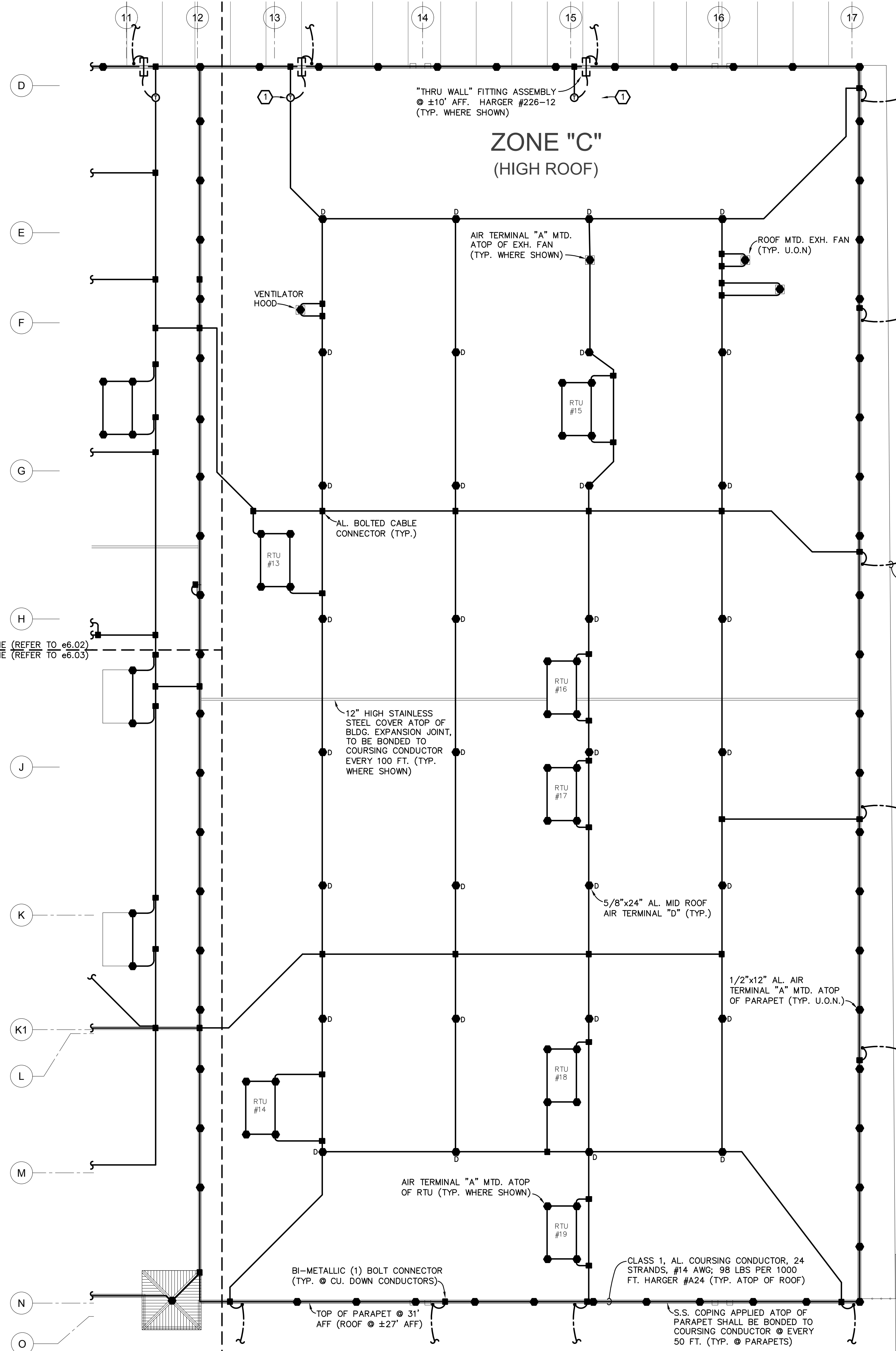
FT. MYERS P&D
 SECURITY UPGRADES
 14080 JETPORT LOOP
 FT MYERS, FL 33913

K65332

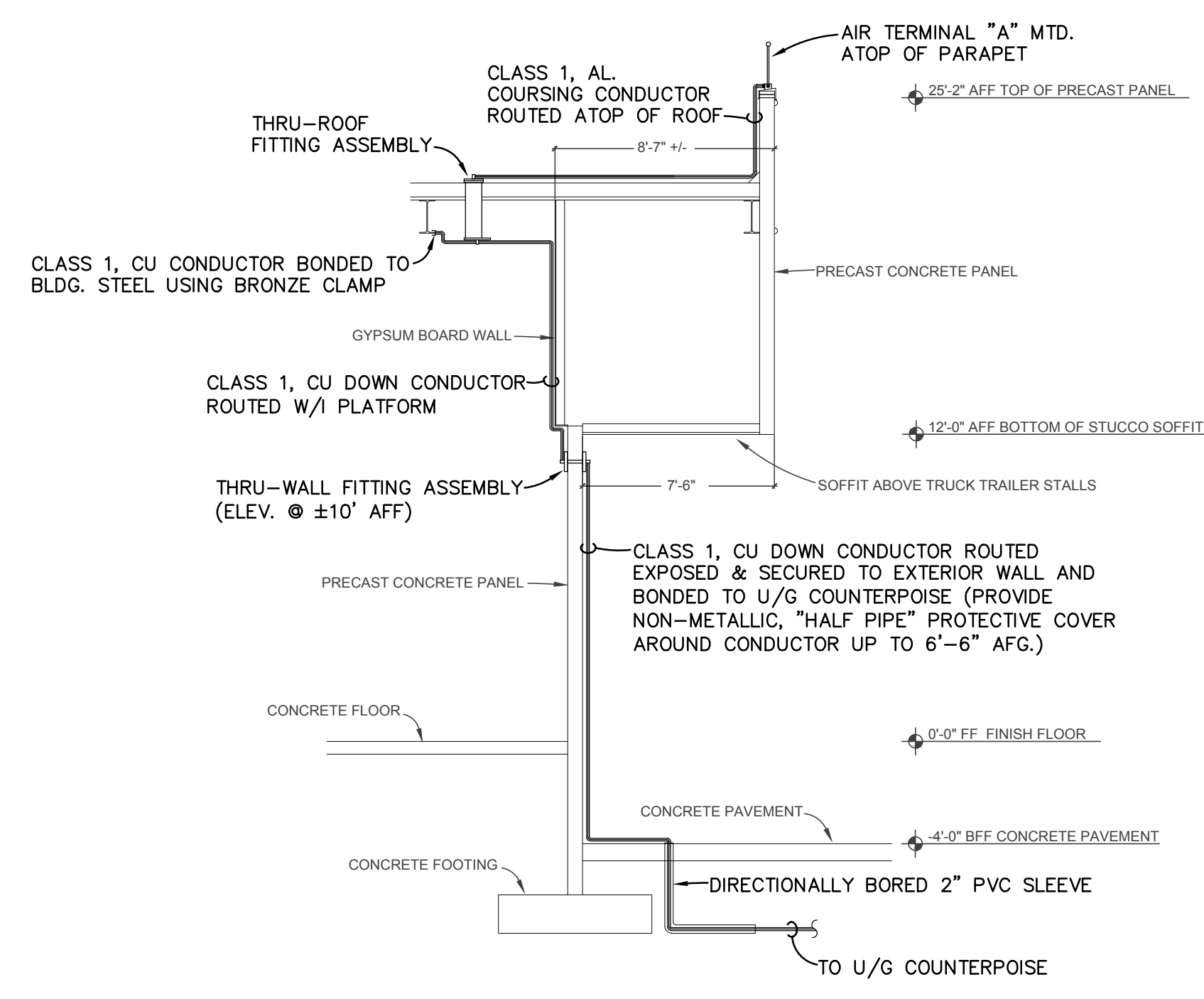


DRAWING NOTES

① CONSTRUCTION OF THE SOFFIT ASSEMBLY ABOVE THE TRUCK TRAILER STALLS WILL NOT PERMIT INSTALLATION OF A TOTALLY EXPOSED DOWN CONDUCTOR ROUTED TO THE U/G COUNTERPOISE. CLASS 1, CU DOWN CONDUCTOR SHALL THEREFORE BE ROUTED DOWN THRU ROOF, BONDED TO INTERIOR BLDG. STEEL AND ROUTED THRU WALL @ ±10' AFF. USING "THRU WALL" ASSEMBLY. DOWN CONDUCTOR SHALL THEN BE ROUTED EXPOSED & SECURED TO EXTERIOR WALL (SEE ELEVATION THIS DWG.).

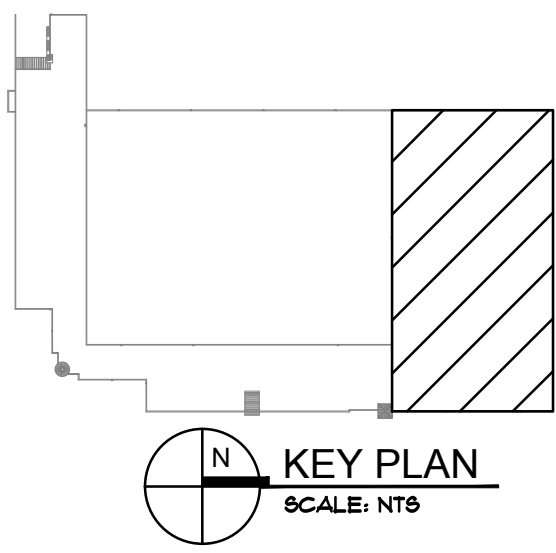


CLASS 1, CU, DOWN CONDUCTOR ROUTED DOWN TO U/G COUNTERPOISE, EXPOSED & SECURED TO EXTERIOR WALL EVERY 3 FT. HARGER #29. REFER TO DWG. e6.01 (TYP. FOR ALL DOWN CONDUCTORS)



BUILDING SECTION • TRUCK DOCKS - ELEVATION
SCALE: N.T.S.

PARTIAL ROOF PLAN (NORTH) - LIGHTNING PROTECTION SYSTEM (ALTERNATE No.1)
SCALE: 1"=20'-0"



consultant

ROLLEY ENGINEERING INC.
7759 W. Webster Avenue, Tampa, Florida, 33615
TELEPHONE: (813) 889-9333, FAX: (813) 889-0001
www.rolley-engineering.com

revisions	project / phase
19013	ROOF-LIGHTNING PROTECTION
2022-03-03	

issue date
sheet name

project / phase

title

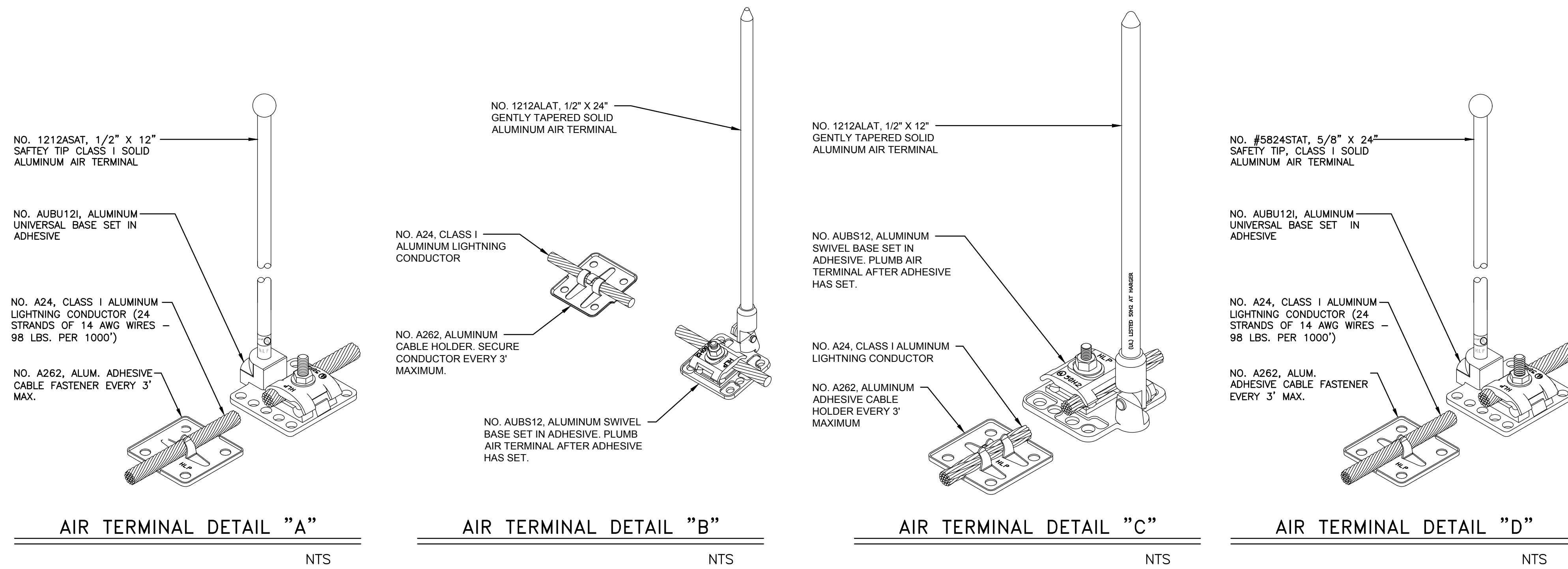
FT. MYERS P&D
SECURITY UPGRADES

14080 JETPORT LOOP
FT MYERS, FL 33913

K65332

MAG 4 INC.
5000 W. Kennedy Dr | Suite 965 | Tampa, FL 33602
813.284.4441 | info@mag4inc.com | fax:800.763.2

1909-e101.dwg March 04 2010 10:55am
FILE LOCATION:
LAST SAVED:



AIR TERMINAL DETAIL "A"

NTS

AIR TERMINAL DETAIL "B"

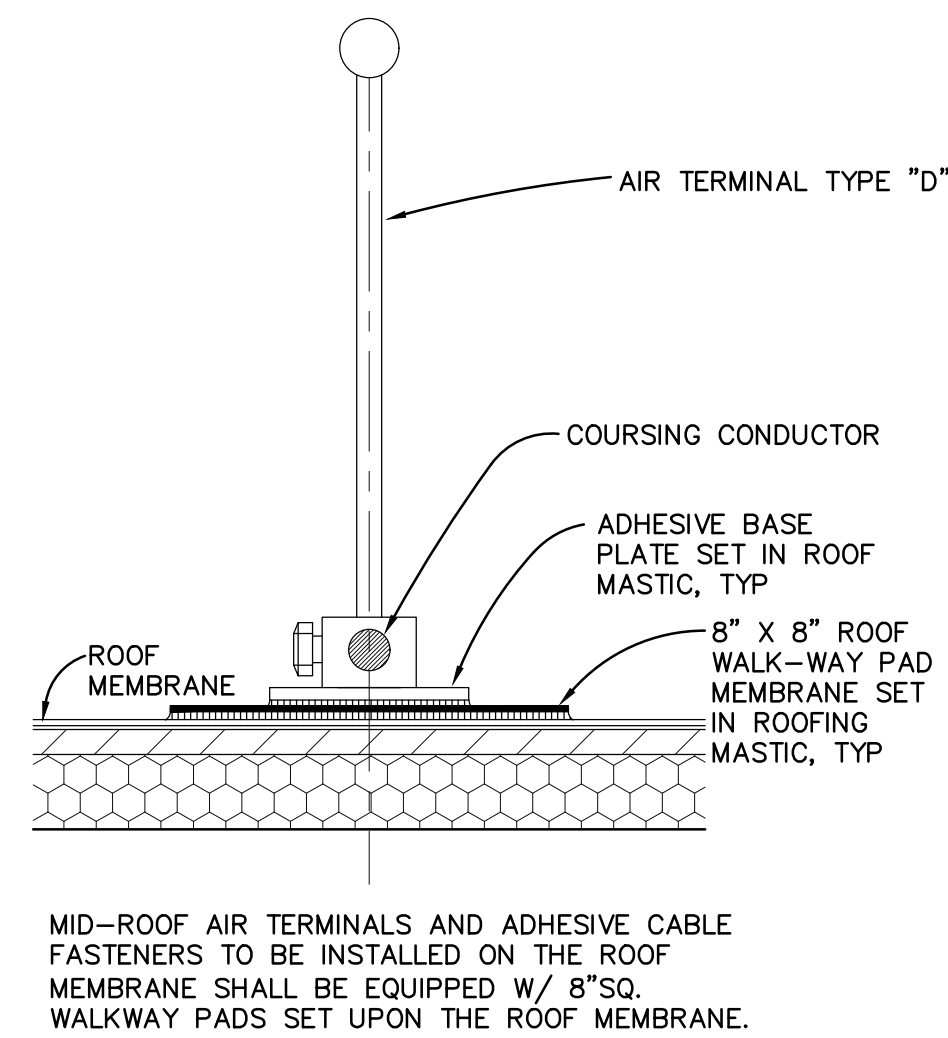
NTS

AIR TERMINAL DETAIL "C"

NTS

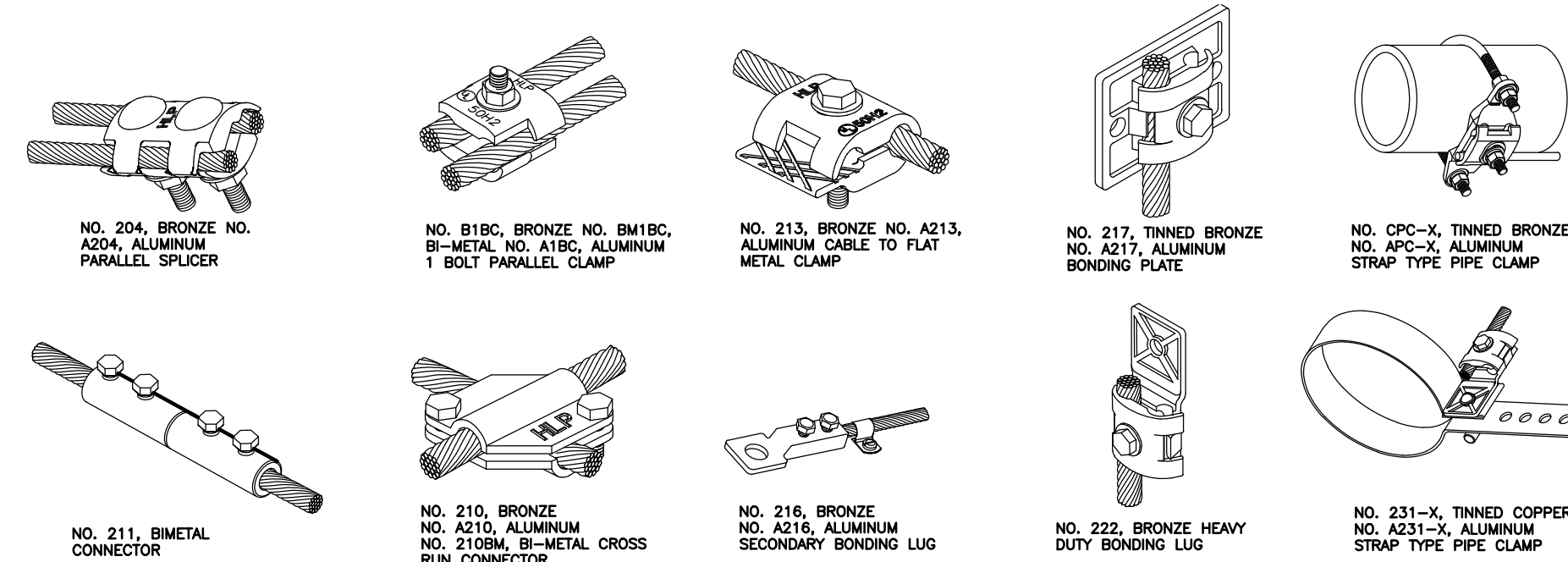
AIR TERMINAL DETAIL "D"

NTS



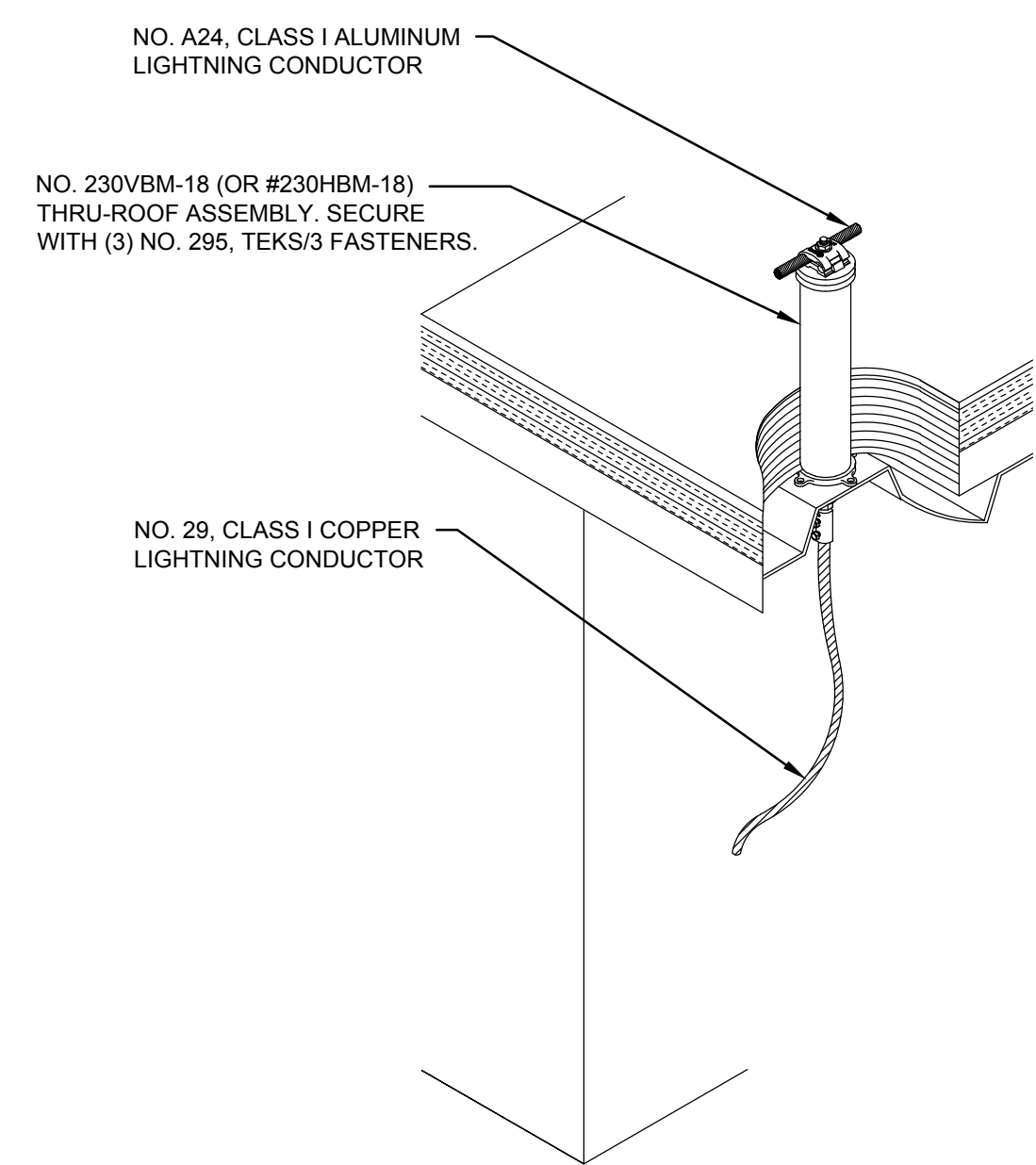
MID-ROOF AIR TERMINAL MOUNTING DETAIL

NTS



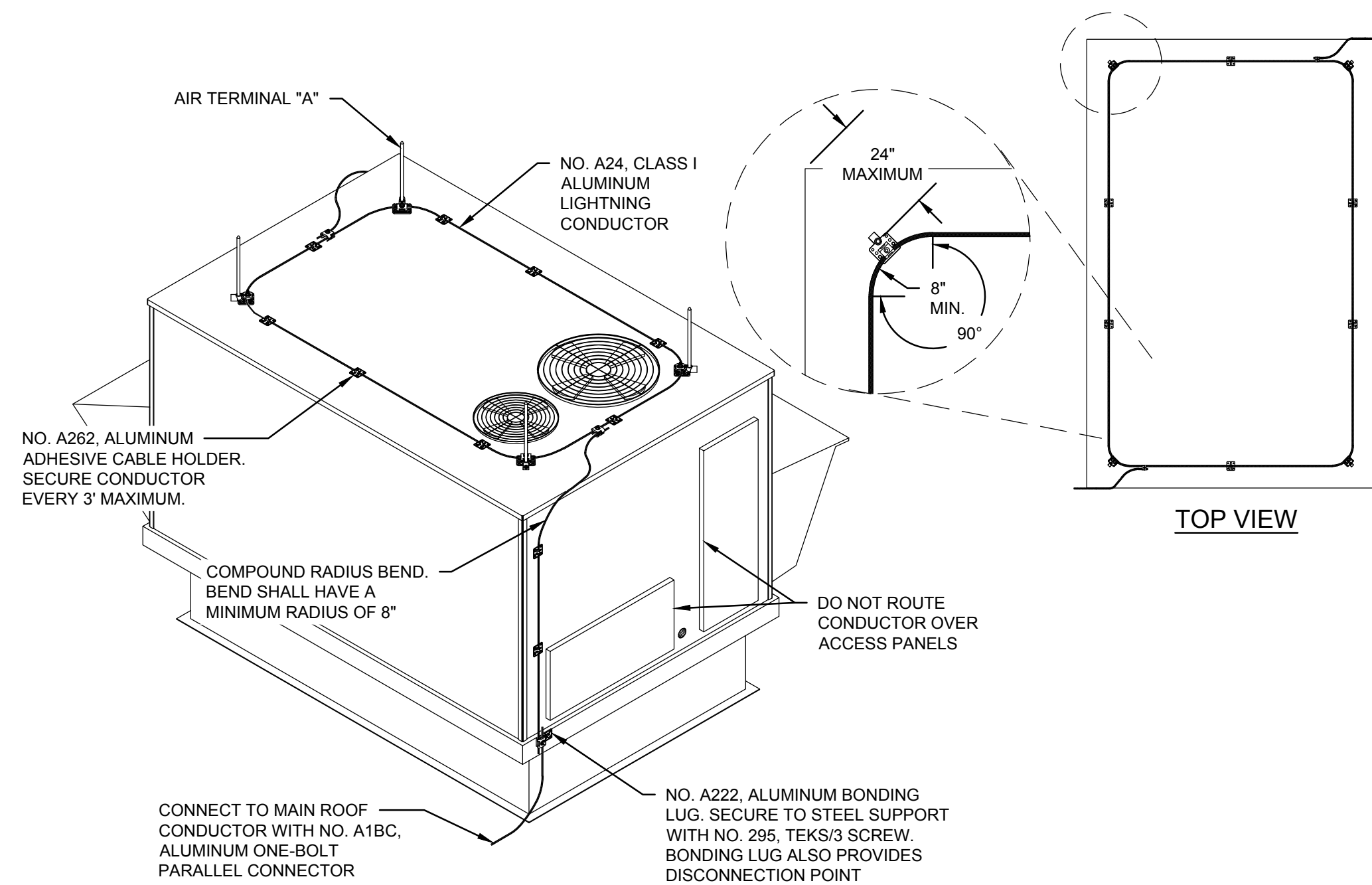
TYPICAL BONDING / SPlicing DETAILS

NTS



THRU-ROOF DETAIL

NTS



TYPICAL ROOFTOP UNIT DETAIL

NTS

SURGE PROTECTION REQUIREMENTS

- PER NFPA 780 (2020), SECTION 4.20 SURGE PROTECTION DEVICES MUST BE INSTALLED AT THE SERVICE ENTRANCE(S). THE EXIST'G. FACILITY IS EQUIPPED WITH (3) 277/480Y MAIN SWITCHBOARDS (REFER TO DWG. e4.01); NONE OF WHICH ARE EQUIPPED WITH SURGE PROTECTION. THESE SWITCHBOARDS SHALL BE EQUIPPED WITH SPD'S AS DESCRIBED BELOW:
 - EXIST'G. MAIN SWITCHBOARD "M1"
 - EXIST'G. 400A.F./200A.T. BRKR. WITHIN POSITION #6 OF SECTION "M1-1" (BRKR. IS MARKED "BAD") SHALL BE REPLACED WITH 400A.F./60A.T. BRKR. TO FEED A PROPOSED SPD. BRKR. SHALL MATCH EXIST'G. (G.E. SPECTRA RMS, CURRENT LIMITING 65 KAIC STYLE #SGLA36AT0400).
 - PROVIDE SERVICE ENTRANCE RATED, TYPE 1 277/480Y, SPD (ASCO/APT #TE04XAS-20-E1-T) EQUIPPED WITH INTEGRAL, THRU-DOOR DISCONNECT. THE "SPD" SHALL BE FED FROM THE REPLACEMENT 400A.F./60A.T. BRKR. USING 4-#2 & 1-#6/GRND, 1-1/2". AND SHALL BE WALL MOUNTED NEAR SWITCHBD. "M1".
 - EXIST'G. MAIN SWITCHBOARD "M2"
 - THE SWITCHBD. HAS NO AVAILABLE "SPARE BRKR'S." OR "SPACES". THE MAIN BUSES ON THE LOADSIDE OF THE MAIN BRKR. SHALL THEREFORE BE DRILLED & TAPPED TO ALLOW A CABLE CONNECTION THAT CAN BE USED TO FEED A PROPOSED "SPD".
 - PROVIDE SERVICE ENTRANCE RATED, TYPE 1, 277/480Y SPD (ASCO/APT #TE04XAS-20-E1-T) EQUIPPED WITH INTEGRAL, THRU-DOOR DISCONNECT. THE SPD SHALL BE FED FROM THE LOADSIDE MAIN BUS OF SWITCHBD. "M2" USING 4-#3/0 & 1-#6/GRND, 2". AND SHALL BE WALL MOUNTED NEAR SWITCHBD. "M2".
 - EXIST'G. MAIN SWITCHBOARD #3
 - PROVIDE 80A.F./60A.T. BRKR. W/ APPROPRIATE SPACES OF SECTION TO FEED A PROPOSED SPD. BRKR. SHALL MATCH EXIST'G. (G.E. SPECTRA RMS, CURRENT LIMITING, 65 KAIC STYLE #SFLA36AT0080).
 - PROVIDE SERVICE ENTRANCE RATED, TYPE 1, 277/480Y SPD (ASCO/APT #TE04XAS-20-E1-T) EQUIPPED WITH INTEGRAL, THRU-DOOR DISCONNECT. THE SPD SHALL BE FED FROM THE PROPOSED 80A.F./60A.T. BRKR. USING 4-#2 & 1-#6/GRND, 1-1/2". AND SHALL BE MOUNTED NEAR SWITCHBD. #3.
 - PLANT SHUTDOWN
 - CONNECTION OF THE SPD'S & INSTALLATION OF THE FEEDER BRKR'S. WILL REQUIRE SHUTDOWN OF EXIST'G. SWITCHBD'S. M1, M2 & #3. THE SWITCHBD'S. SHALL BE INDIVIDUALLY DE-ENERGIZED REQUIRING (3) SEPARATE SHUTDOWNS.
 - ALL USPS SERVICE INTERRUPTIONS ESSENTIAL TO THE WORK SHALL BE SCHEDULED WITH THE PLANT MANAGER (7) DAYS IN ADVANCE. COORD. ALL WORK TO ALLOW THE COMPLETION OF THE TASK(S) WITH THE MINIMUM INTERFERENCE TO USPS OPERATIONS. COMPLETE PLANT SHUTDOWNS CAN ONLY OCCUR ON SUNDAYS 0600-1200HRS.
 - THE CONTRACTOR SHALL PROVIDE AND UPDATE AS NEEDED A SHUTDOWN SCHEDULE FOR THIS PROJECT. THIS SCHEDULE SHALL BE SUBJECT TO APPROVAL BY THE ENGINEER AND THE USPS.

LIGHTNING PROTECTION SYSTEM NOTES

- THE LIGHTNING PROTECTION SYSTEM SHALL BE INSTALLED IN CONFORMANCE WITH A U.L. MASTER LABEL AND SHALL BE INSTALLED IN ACCORDANCE WITH NFPA 780 & U.L. 96A.
- ALL MATERIAL AND COMPONENTS SHALL BE LISTED AND/OR CERTIFIED TO INDICATE THAT (1) THEY HAVE BEEN MANUFACTURED FOR USE IN LIGHTNING PROTECTION SYSTEMS UNDER THE CODE PROVISIONS LPI-176 AND (2) THEY HAVE BEEN TESTED AND INSPECTED FOR COMPLIANCE WITH LPI-176 BY A RECOGNIZED INDEPENDENT TESTING AGENCY, DESIGNATED BY THE INSTITUTE.
- THE COMPLETED INSTALLATION SHALL BE CERTIFIED BY UNDERWRITERS LABORATORIES (U.L.) WITH A "MASTER LABEL CERTIFICATE" COMPLIANT WITH UL 96A (13TH EDITION).
- ROOF COURSING CONDUCTORS SHALL INTERCONNECT ALL AIR TERMINALS INCLUDING THOSE ON ROOF PROJECTIONS AND SHALL AFFORD A TWO WAY PATH TO GROUND FROM THE BASE OF EACH AIR TERMINAL. ROOF CONDUCTORS SHALL BE COURSED THROUGH OR AROUND OBSTRUCTIONS IN A HORIZONTAL PLANE WITH MAIN CONDUCTOR.
- ALL METALLIC PIPING (WATER, FIRE, SANITARY, STORM, ETC.) AND CONDUCTIVE SERVICES (COAX, ANTENNA, ETC.) WHICH ENTERS THE PROTECTED BUILDING SHALL BE BONDED TO THE LIGHTNING PROTECTION SYSTEM.
- COPPER LIGHTNING PROTECTION MATERIALS SHALL NOT BE INSTALLED ON ALUMINUM ROOFING OR SIDING MATERIAL OR OTHER ALUMINUM SURFACES; AND ALUMINUM LIGHTNING PROTECTION MATERIALS SHALL NOT BE INSTALLED ON COPPER SURFACES, ECT.
- NO BEND OF A CONDUCTOR SHALL FORM AN INCLUDED ANGLE OF LESS THAN 90 DEGREES NOR HAVE A RADIUS BEND LESS THAN 8 INCHES. THIS RADIUS REQUIREMENT IS NOT APPLICABLE WHERE APPROVED CLAMPS OR CONNECTORS ARE USED TO ACCOMPLISH CABLE BENDS.
- CONDUCTORS SHALL MAINTAIN A HORIZONTAL OR DOWNWARD COURSE, FREE FROM "U" OR "V" (DOWN AND UP) POCKETS.
- AIR TERMINALS SHALL EXTEND ABOVE THE OBJECT TO BE PROTECTED NOT LESS THAN 10 INCHES.
- AIR TERMINALS SHALL BE PLACED ON ALL ROOF PROJECTIONS, PROJECTIONS INCLUDE, BUT ARE NOT LIMITED TO THE FOLLOWING: HOSE BIBBS, EXHAUST FANS, GRAVITY VENTS, EQUIPMENT, AIR HANDLING UNITS, LADDERS, ANTENNAE AND HANDRAILS. IF THE ROOF OR PROJECTION IS OF METAL 3/16" OR MORE THICK, THE METAL MAY BE SUBSTITUTED FOR THE AIR TERMINAL AND IT NEED ONLY BE CONNECTED TO THE LIGHTNING PROTECTION SYSTEM USING MAIN SIZE CONDUCTOR AND A BONDING DEVICE HAVING A MINIMUM OF THREE SQUARE INCHES OF CONTACT.
- AIR TERMINALS SHALL BE PLACED AT OR WITHIN 2 FEET OF THE EDGE AND CORNERS OF THE ROOF AND SHALL BE SPACED AT 20' MAXIMUM ABOUT THE PERIMETER.
- ADHESIVE CABLE FASTENERS SHALL BE SPACED NOT MORE THAN THREE FEET APART ON ALL CONDUCTORS. ADHESIVE USED WITH ADHESIVE AIR TERMINAL BASES AND CONDUCTOR FASTENERS SHALL BE HARGER #M1 STRUCTURAL SEALANT TYPE, VERIFY WITH ROOFING CONTRACTOR.
- FLAT OR GENTLY SLOPING ROOFS THAT EXCEED 50 FT. (15M) IN WIDTH OR LENGTH SHALL HAVE ADDITIONAL STRIKE TERMINATION DEVICES LOCATED AT INTERVALS NOT TO EXCEED 25 FT (7.6M).
- GALVANIZED OR PLATED STEEL NAILS, SCREWS OR BOLTS ARE NOT ACCEPTABLE.
- MASONRY ANCHORS SHALL HAVE A DIAMETER OF NOT LESS THAN 1/4 INCH AND SHALL BE SET WITH CARE. HOLE TO RECEIVE THE SHANK OF THE FASTENER OR FITTING SHALL BE CORRECT SIZE, MADE WITH PROPER TOOLS AND MADE IN THE BRICK OR STONE RATHER THAN IN MORTAR JOINTS. WHEN SET, THE FIT SHALL BE TIGHT AGAINST MOISTURE AND CAPABLE OF WITHSTANDING A PULL TEST OF 100 POUNDS. PLASTIC OR FIBER ANCHORS MEETING THE ABOVE REQUIREMENTS ARE ACCEPTABLE.
- BOLTED COMPRESSION CONNECTOR FITTING SHALL BE USED ON ALL LIGHTNING CONDUCTORS AS "END-TO-END", "TEE" OR "Y" SPLICES. THEY SHOULD BE ATTACHED SO AS TO WITHSTAND A PULL TEST OF 200 POUNDS.
- FITTINGS FOR CONNECTION OF METAL TRACKS, GUTTERS, DOWNSPOUTS, VENTILATORS, OR OTHER METAL PARTS ABOUT THE STRUCTURE SHALL BE OF AN ACCEPTABLE TYPE MADE TIGHT TO THE OBJECT BY COMPRESSION UNDER BOLT HEADS OF THE APPROVED TYPE. BOLTED CLAMPS AND SPLICERS OF CAST METAL SHALL BE ONLY USED.
- ALL ROOF PENETRATIONS SHALL BE SEALED. METHOD OF SEALING SHALL BE APPROVED BY THE ROOFING SUBCONTRACTOR. THE LIGHTNING PROTECTION SUBCONTRACTOR SHALL FURNISH SILICONE RUBBER BOOTS FOR ALL ROOF PENETRATIONS. BOOTS SHALL BE INSTALLED BY ROOFING SUBCONTRACTOR. COORD. ALL USE OF ROOF ADHESIVE WITH THE ROOFING SUBCONTRACTOR.
- CONTRACTOR SHALL SUBMIT SHOP DRAWING OF LIGHTNING PROTECTION SYSTEM FOR ENGINEERS APPROVAL. SHOP DRAWINGS SHALL INCLUDE TYPES AND LOCATION OF ALL AIR TERMINALS, CONDUCTORS, CONNECTORS, GROUND RODS, METHODS AND TYPES OF BONDING. SUBMIT CATALOG CUTS OF ALL EQUIPMENT.

consultant

revisions

19013

2022-03-03

project phase

issue date

sheet name

LIGHTNING PROTECTION-DETAILS

FT. MYERS P&D SECURITY UPGRADES

14080 JETPORT LOOP FT MYERS, FL 33913

K65332

title

MAG 4 INC

1000 North Kolony Dr | Suite 957 | Tampa, FL 33602
813.284.4441 | info@mags4inc.com | fac8081032

e6.05

21 of 32

sheet

ePACS WIRING SCHEDULE			
TYPE	CABLE DESCRIPTION	MANUFACTURER	USAGE
A	6/C-#18/SHLD/CMP WHITE (0.228" O.D.; 0.040828 IN ²)	TAPPAN #SW5778802	RDR TO "RIM"
B	4/C-#18/SHLD/CMP WHITE (0.180" O.D.; 0.02545 IN ²)	TAPPAN #SW57788102	"RIM" TO CONTROLLER
C	2/C-#16/CMP WHITE (0.178" O.D.; 0.02488 IN ²)	TAPPAN #P50032	ELECTRIC STRIKE/MAG LOCK TO "RIM", "EX" TO "RIM", "RIM" TO PWR. SUPPLY
D	2/C-#22/CMP WHITE (0.111" O.D.; 0.0097 IN ²)	TAPPAN #SWP20031	DOOR CONTACT TO "RIM", DOOR RELEASE TO RIM
E	4/C-#22/CMP WHITE (0.128" O.D.; 0.0129 IN ²)	TAPPAN #SWP20035	"RX" TO "RIM"
F	6/C-#18/SHLD/WET BLACK (0.291" O.D.; 0.0665 IN ²)	TAPPAN #SW1880 AB6M/VNPVC	EXTERIOR LRCR TO "RIM"
G	4/C-#18/SHLD/WET BLACK (0.291" O.D.; 0.0665 IN ²)	TAPPAN #SW4028	EXTERIOR "RIM" TO CONTROLLER
H	2/C-#18/WET BLACK (0.266" O.D.; 0.0556 IN ²)	TAPPAN #U49995	GATE CONTROLLER TO "RIM" OR DOOR CALL STATION
I	NOT USED	-	-
J	2/C-#22/WET BLACK (0.205" O.D.; 0.0330 IN ²)	WPW #AQC291	EXTERIOR "DOOR CONTACT TO "RIM"
K	2/C-#16/WET BLACK (0.270" O.D.; 0.0573 IN ²)	TAPPAN #SW5995	EXTERIOR "ELECTRIC STRIKE" TO "RIM"
L	4/C-#22/WET BLACK (0.194" O.D.; 0.0296 IN ²)	WPW #AQC240	EXTERIOR "RX" TO "RIM"

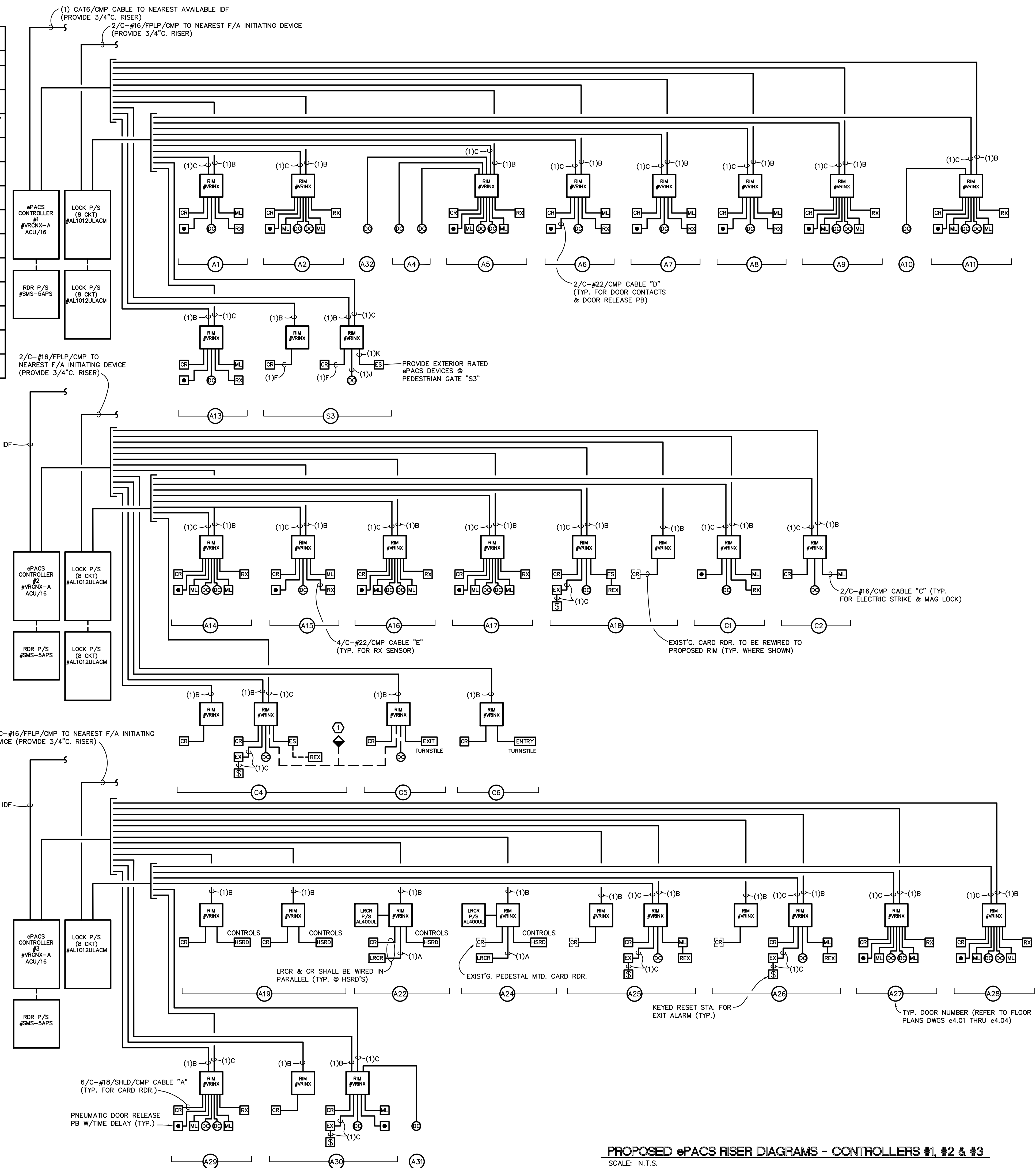
SUBSTITUTE U.S. CABLE MANUFACTURERS ARE ACCEPTABLE PENDING ePACS/INTERCOM SYSTEMS MANUFACTURER AND ENGINEER APPROVAL

GENERAL NOTE

PROVIDE 2" C. RISERS FROM EACH ePACS CONTROLLER AND PWR. SUPPLY ENCLOSURE.

DRAWING NOTES

1 EMERGENCY EVACUATION PB SHALL BE INTERFACED WITH EXIT TURNSTILE C5 AND RE-4 PERSONNEL DOOR C4. ACTIVATION SHALL CAUSE AUDIBLE ALARM AND FREE EXIT. INBOUND ENTRY DIRECTION SHALL REMAIN SECURE.



PROPOSED ePACS RISER DIAGRAMS - CONTROLLERS #1, #2 & #3
SCALE: N.T.S.

consultant
 revisions
 project phase
 issue date
 sheet name
 ePACS RISER DIAGRAMS

19013
 2022-03-03

ROBLET A. ROLLEY
 LICENSE
 No. 21600
 STATE OF
 FLORIDA
 PROFESSIONAL ENGINEER

title
FT. MYERS P&DC
SECURITY UPGRADES
 14080 JETPORT LOOP
 FT MYERS, FL 33913

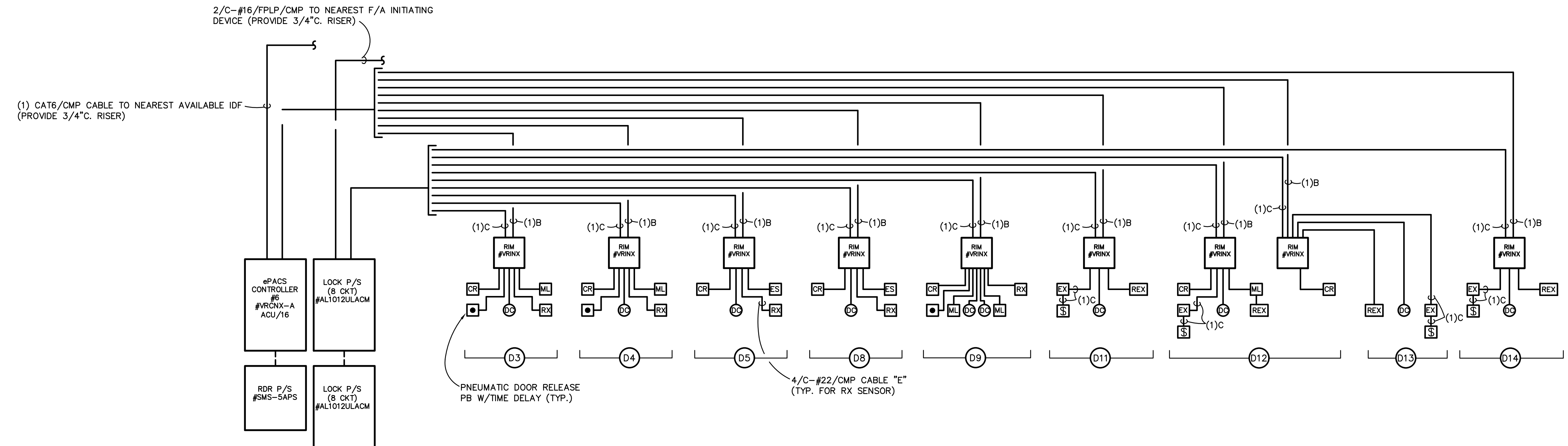
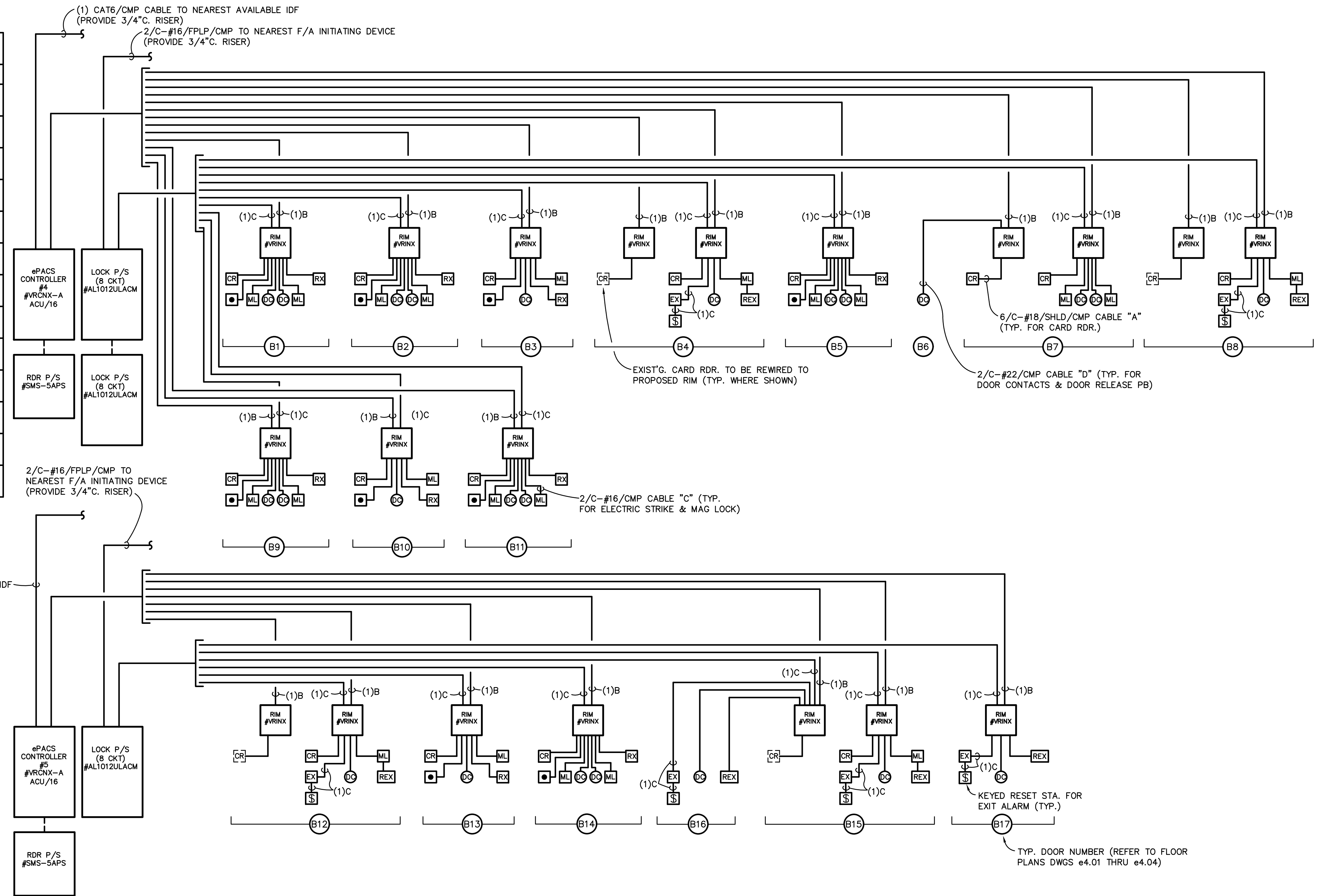
K65332

MAG 4 INC.
 1000 North Ashby Dr | Suite 905 | Tampa, FL 33602
 813.264.4411 | ADMIN@mag4inc.com | ea25001025

ePACS WIRING SCHEDULE			
TYPE	CABLE DESCRIPTION	MANUFACTURER	USAGE
A	6/C-#18/SHLD/CMP WHITE (0.228" O.D.; 0.040828 IN ²)	TAPPAN #SW57788802	RDR TO "RIM"
B	4/C-#18/SHLD/CMP WHITE (0.180" O.D.; 0.02545 IN ²)	TAPPAN #SW57788102	"RIM" TO CONTROLLER
C	2/C-#16/CMP WHITE (0.178" O.D.; 0.02488 IN ²)	TAPPAN #P50032	ELECTRIC STRIKE/MAG LOCK TO "RIM", "EX" TO "RIM", "RIM" TO PWR. SUPPLY
D	2/C-#22/CMP WHITE (0.111" O.D.; 0.0097 IN ²)	TAPPAN #SWP20031	DOOR CONTACT TO "RIM", DOOR RELEASE TO RIM
E	4/C-#22/CMP WHITE (0.128" O.D.; 0.0129 IN ²)	TAPPAN #SWP20035	"RX" TO "RIM"
F	6/C-#18/SHLD/WET BLACK (0.291" O.D.; 0.0665 IN ²)	TAPPAN #SW1880 AB6M/VNPVC	EXTERIOR LRCR TO "RIM"
G	4/C-#18/SHLD/WET BLACK (0.291" O.D.; 0.0665 IN ²)	TAPPAN #SW4028	EXTERIOR "RIM" TO CONTROLLER
H	2/C-#18/WET BLACK (0.266" O.D.; 0.0556 IN ²)	TAPPAN #U49995	GATE CONTROLLER TO "RIM" OR DOOR CALL STATION
I	NOT USED	-	-
J	2/C-#22/WET BLACK (0.205 O.D.; 0.0330 IN ²)	WPW #AQC291	EXTERIOR "DOOR CONTACT TO "RIM"
K	2/C-#16/WET BLACK (0.270" O.D.; 0.0573 IN ²)	TAPPAN #SW5995	EXTERIOR "ELECTRIC STRIKE" TO "RIM"
L	4/C-#22/WET BLACK (0.194" O.D.; 0.0296 IN ²)	WPW #AQC240	EXTERIOR "RX" TO "RIM"

SUBSTITUTE U.S. CABLE MANUFACTURERS ARE ACCEPTABLE PENDING ePACS/INTERCOM SYSTEMS MANUFACTURER AND ENGINEER APPROVAL

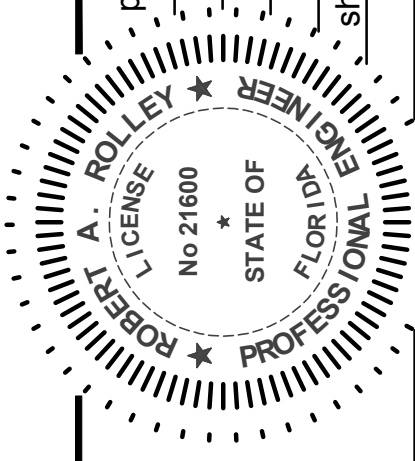
GENERAL NOTE
 PROVIDE 2"C. RISERS FROM EACH ePACS CONTROLLER AND PWR. SUPPLY ENCLOSURE.



PROPOSED ePACS RISER DIAGRAMS - CONTROLLERS #4, #5 & #6
 SCALE: N.T.S.

consultant
ROLLEY ENGINEERING INC.
 Certificate of Authorization Number #0022
 7750 W. Western Avenue, Tampa, Florida, 33615
 Robert A. Rolley, P.E. #7400

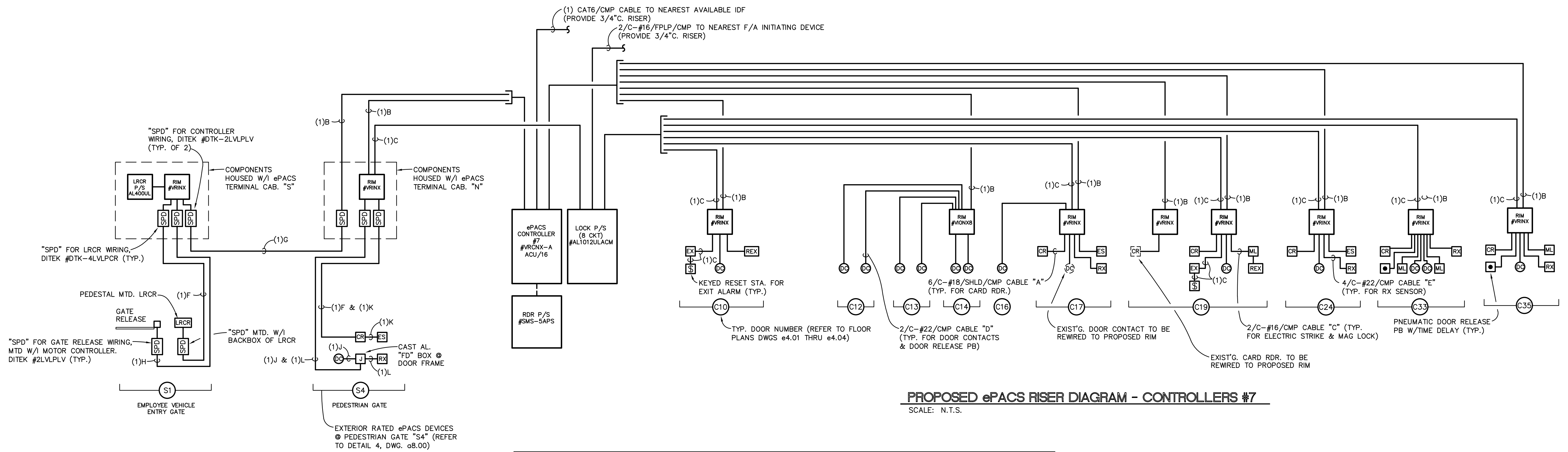
revisions	project phase	sheet name
19013	2022-03-03	ePACS RISER DIAGRAMS



FT. MYERS P&DC
 SECURITY UPGRADES
 14080 JETPORT LOOP
 FT MYERS, FL 33913

title
K65332

MAG 4 INC.
 1000 North Ashby Dr | Suite 905 | Tampa, FL 33602
 813.264.4441 | ADMIN@mag4inc.com | fax26001092

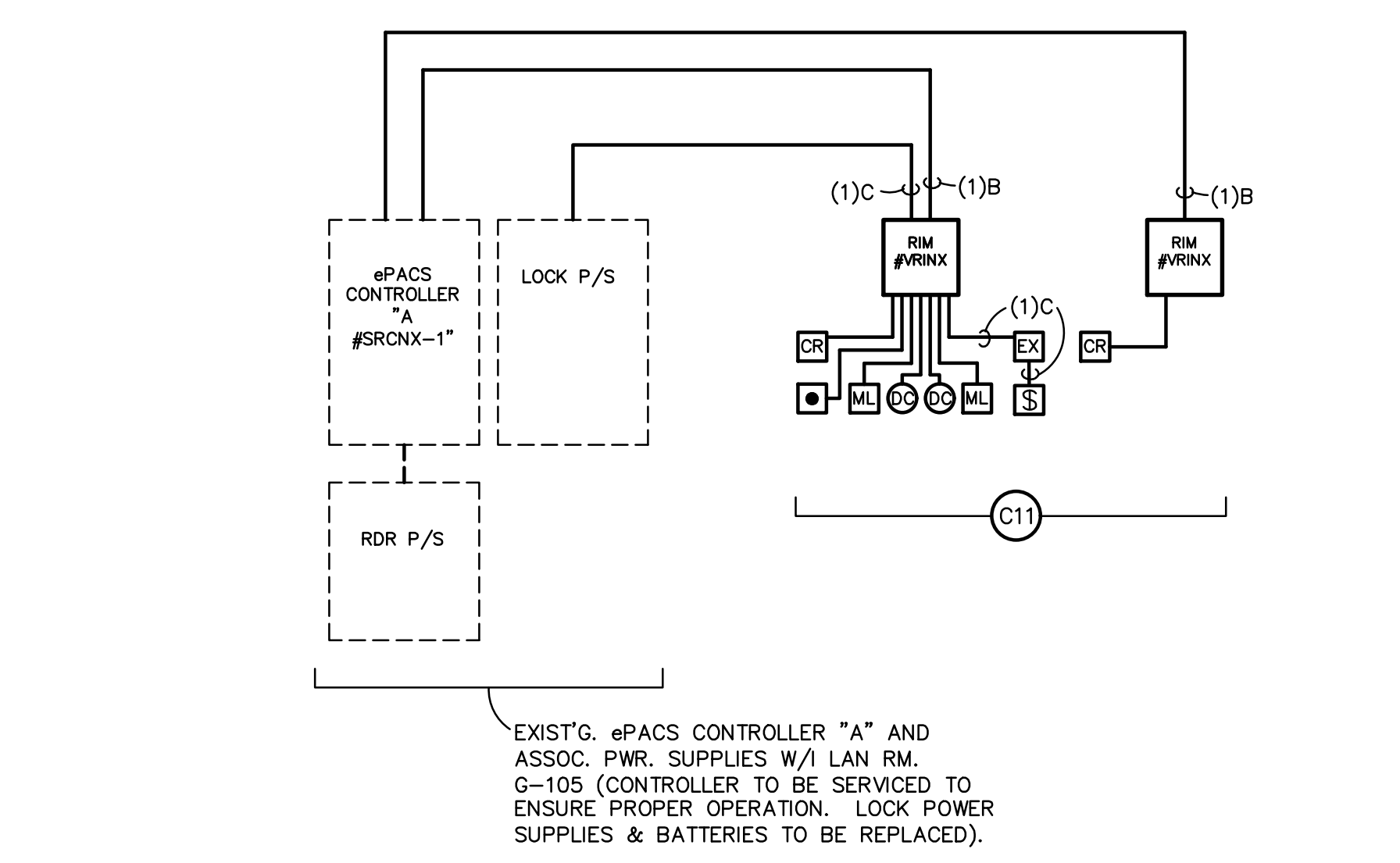


PROPOSED ePACS RISER DIAGRAM - CONTROLLERS #7
 SCALE: N.T.S.

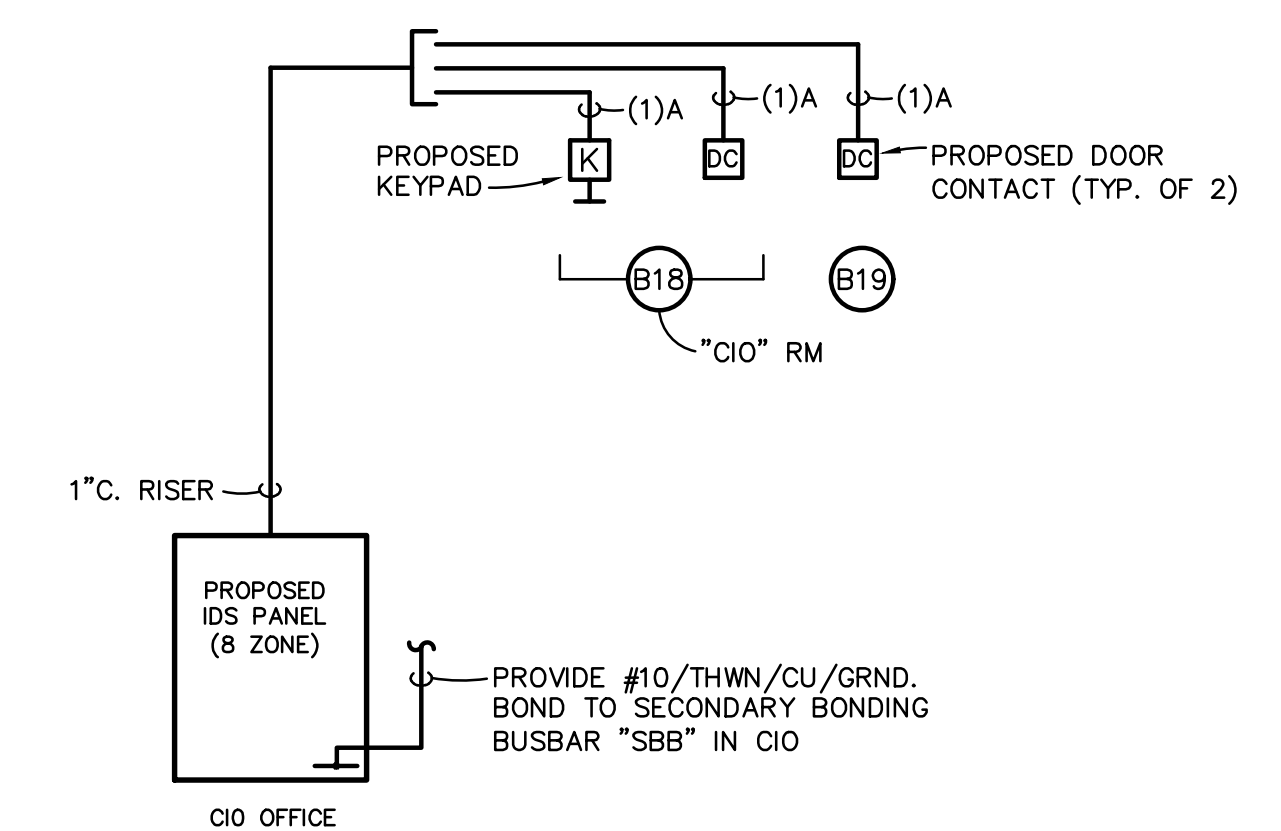
ePACS WIRING SCHEDULE			
TYPE	CABLE DESCRIPTION	MANUFACTURER	USAGE
A	6/C-#18/SHLD/CMP WHITE (0.228" O.D.; 0.040828 IN ²)	TAPPAN #SW57788802	RDR TO "RIM"
B	4/C-#18/SHLD/CMP WHITE (0.180" O.D.; 0.02545 IN ²)	TAPPAN #SW57788102	"RIM" TO CONTROLLER
C	2/C-#16/CMP WHITE (0.178" O.D.; 0.02488 IN ²)	TAPPAN #P50032	ELECTRIC STRIKE/MAG LOCK TO "RIM", "EX" TO "RIM", "RIM" TO PWR. SUPPLY
D	2/C-#22/CMP WHITE (0.111" O.D.; 0.0097 IN ²)	TAPPAN #SWP20031	DOOR CONTACT TO "RIM", DOOR RELEASE TO RIM
E	4/C-#22/CMP WHITE (0.128" O.D.; 0.0129 IN ²)	TAPPAN #SWP20035	"RX" TO "RIM"
F	6/C-#18/SHLD/WET BLACK (0.291" O.D.; 0.0665 IN ²)	TAPPAN #SW1880 AB6M/VNPVC	EXTERIOR LRRCR TO "RIM"
G	4/C-#18/SHLD/WET BLACK (0.291" O.D.; 0.0665 IN ²)	TAPPAN #SW4028	EXTERIOR "RIM" TO CONTROLLER
H	2/C-#18/WET BLACK (0.266" O.D.; 0.0556 IN ²)	TAPPAN #U49995	GATE CONTROLLER TO "RIM" OR DOOR CALL STATION
I	NOT USED	-	-
J	2/C-#22/WET BLACK (0.205 O.D.; 0.0330 IN ²)	WPW #AQC291	EXTERIOR "DOOR CONTACT TO "RIM"
K	2/C-#16/WET BLACK (0.270" O.D.; 0.0573 IN ²)	TAPPAN #SW5995	EXTERIOR "ELECTRIC STRIKE" TO "RIM"
L	4/C-#22/WET BLACK (0.194" O.D.; 0.0296 IN ²)	WPW #AQC240	EXTERIOR "RX" TO "RIM"

SUBSTITUTE U.S. CABLE MANUFACTURERS ARE ACCEPTABLE PENDING ePACS/INTERCOM SYSTEMS MANUFACTURER AND ENGINEER APPROVAL

GENERAL NOTE
 PROVIDE 2" C. RISERS FROM EACH ePACS CONTROLLER AND PWR. SUPPLY ENCLOSURE.



PROPOSED ePACS RISER DIAGRAM - EXISTING CONTROLLER 'A'
 SCALE: N.T.S.



"IDS" CABLE LEGEND
 "A" 8/C-#22/CL3P/CMP

INTRUSION DETECTION SYSTEM (IDS) RISER DIAGRAM
 SCALE: N.T.S.

consultant
ROLLEY ENGINEERING INC.
 Certificate of Authorization Number #002
 7750 W. Wekiva Avenue, Tampa, Florida, 33615
 Robert Aronow, P.E., Florida P.E. #71800

revisions
 19013
 2022-03-03

project phase
 ePACS RISER DIAGRAMS

issue date
 2022-03-03

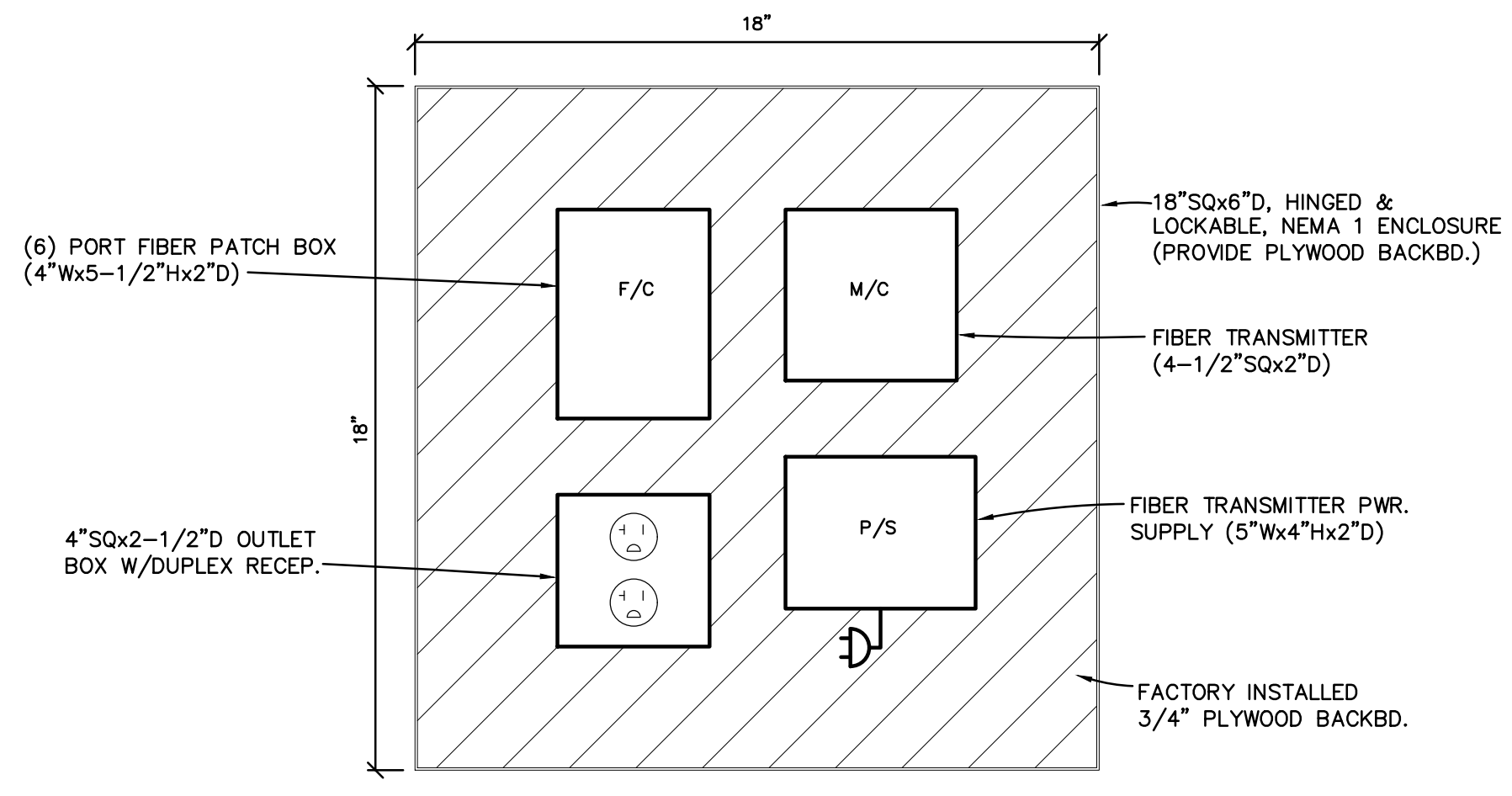
sheet name
 ePACS RISER DIAGRAMS

title
FT. MYERS P&DC
 SECURITY UPGRADES

14080 JETPORT LOOP
 FT MYERS, FL 33913

K65332

title
MAG 4 INC.
 1000 North Ashlar Dr | Suite 505 | Tampa, FL 33602
 813.264.4411 | ADMIN@mag4inc.com | fax:260.1032

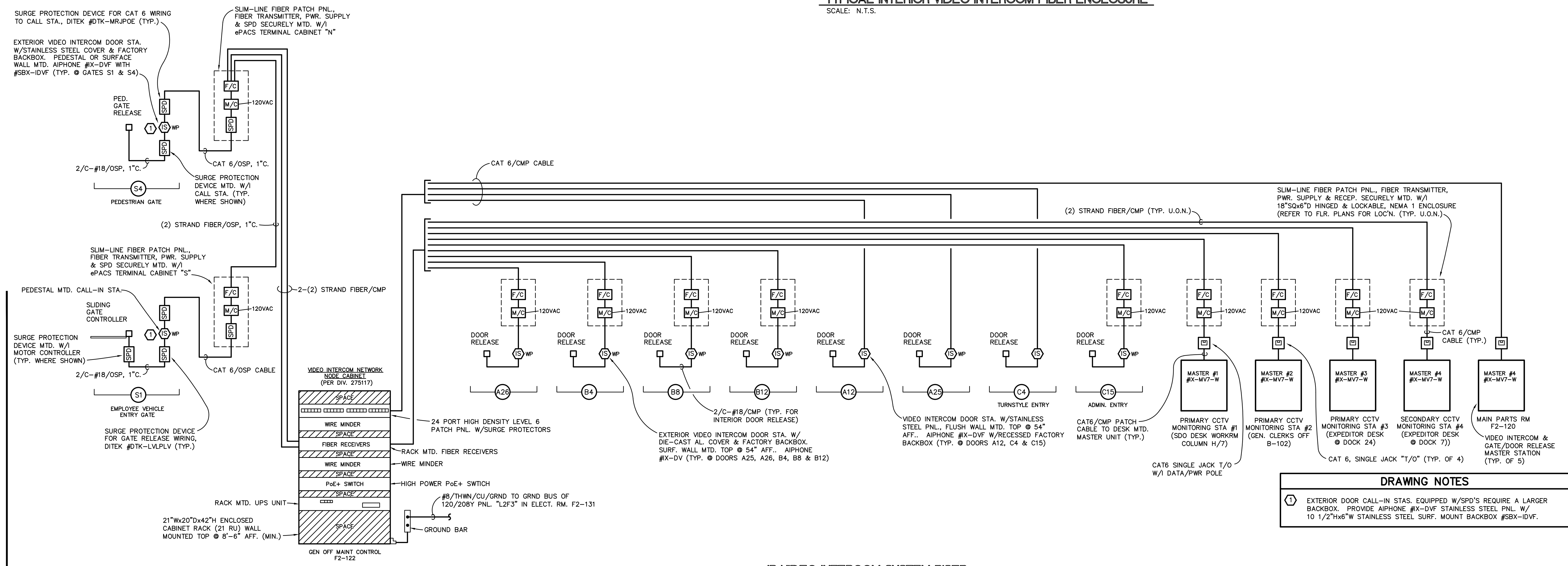


- NOTES**
1. THE BASIS OF DESIGN FOR THIS VIDEO INTERCOM SYSTEM IS THE AIPHONE "IX" SERIES. TYPICALLY, CAT 6 WIRING IS UTILIZED FOR INTERFACING OF THE DOOR CALL-IN AND MULTIPLE MASTER STATIONS TO THE NETWORK NODE CABINET. CAT 6 INTERFACE WIRING IS LIMITED TO A MAXIMUM LENGTH OF 330 FT.. MASTER AND CALL STATIONS LOCATED MORE THAN 330 FT. FROM THE NETWORK NODE CABINET SHALL UTILIZE FIBER CABLE, FIBER PATCH PANELS AND FIBER TRANSMITTERS/RECEIVERS.
 2. SURGE PROTECTION MODULES (SPD'S) SHALL BE PROVIDED ON EACH END OF ALL EXTERIOR CAT 6 & LOW VOLTAGE CABLE RUNS. SPD'S ARE ALSO REQUIRED UPON CABLES ENTERING OR EXITING THE BUILDING.
 3. ALL WALL MOUNTED COMPONENTS SHALL BE PROVIDED WITH 3/4"C. RISERS. PROVIDE 2-2"C. RISERS @ THE NETWORK NODE CABINET.
 4. PROVIDE CAT 6 PATCH CORDS (24" LONG) FOR PATCHING FROM THE PATCH PANEL TO THE PoE+ SWITCH.
 5. PROVIDE 1000VA/900W LINE INTERACTIVE, RACK MTD. UPS W/18 MINUTE BATTERY RESERVE @ 450 WATTS. TRIPP-LITE #SMART1000RMXL2U.
 6. CALL-IN DOOR STATIONS ARE EQUIPPED W/INTEGRAL PoE PASS THRU AND (2) FORM C, DRY CONTACTS FOR DOOR & GATE RELEASE.
 7. FIBER CABLE NOT ROUTED WITHIN CONDUIT SHALL BE ENCASED WITHIN APPROPRIATELY SIZED INNERDUCTS; UTILIZE PLENUM RATED WHERE REQUIRED.
 8. REFER TO SPEC. SECTION 275117 FOR APPLICABLE CABLING PRODUCT SPECIFICATIONS.

- NOTES:**
1. ALL COMPONENTS SHALL BE SECURELY FASTENED TO THE BACKBOARD USING FACTORY BRACKETS & APPROPRIATE WOOD SCREWS. USE OF DOUBLE SIDED, ADHESIVE HOOK & LOOP STRAPS IS NOT ACCEPTABLE.
 2. PROVIDE 2 FT. LONG, CONDUIT SLEEVES EQUIPPED W/BUSHINGS TO PROTECT OPEN CABLING ENTERING THE ENCLOSURE.
 3. PATCH CORDS SHALL BE AS LONG AS NECESSARY FOR THE APPLICATION BUT AS SHORT AS POSSIBLE TO AVOID LARGE CABLE BUNDLES.
 4. EXCESS CABLE LENGTHS SHALL BE PROPERLY LOOPED AND SECURED USING HOOK & LOOP STRAPS; TIE-WRAPPS ARE NOT ACCEPTABLE.
 5. THE 120 VOLT WIRING ROUTED W/I THE ENCLOSURE SHALL BE CONTAINED IN CONDUIT. OPEN 120 VOLT WIRING IS NOT ACCEPTABLE.
 6. A 20 FT. FIBER OPTIC SERVICE LOOP SHALL BE INSTALLED OUTSIDE THE ENCLOSURE. SERVICE LOOP SHALL BE INSTALLED SUCH THAT THE MINIMUM BEND RADIUS IS NOT EXCEEDED. ONCE THE FIBER REACHES THE PATCH PANEL THERE SHALL BE NO LESS THAN 3 FEET OF UNSHEATHED FIBER INSTALLED NEATLY IN STORAGE TRAY PRIOR TO TERMINATIONS BEING INSTALLED.

TYPICAL INTERIOR VIDEO INTERCOM FIBER ENCLOSURE

SCALE: N.T.S.



- DRAWING NOTES**
- 1 EXTERIOR DOOR CALL-IN STAS. EQUIPPED W/SPD'S REQUIRE A LARGER BACKBOX. PROVIDE AIPHONE #X-DVF STAINLESS STEEL PNL. W/ 10 1/2"Hx6"W STAINLESS STEEL SURF. MOUNT BACKBOX #SBX-IDVF.

IP VIDEO INTERCOM SYSTEM RISER

SCALE: N.T.S.

consultant
 revisions
 project phase
 issue date
 sheet name
 ePACS RISER DIAGRAMS

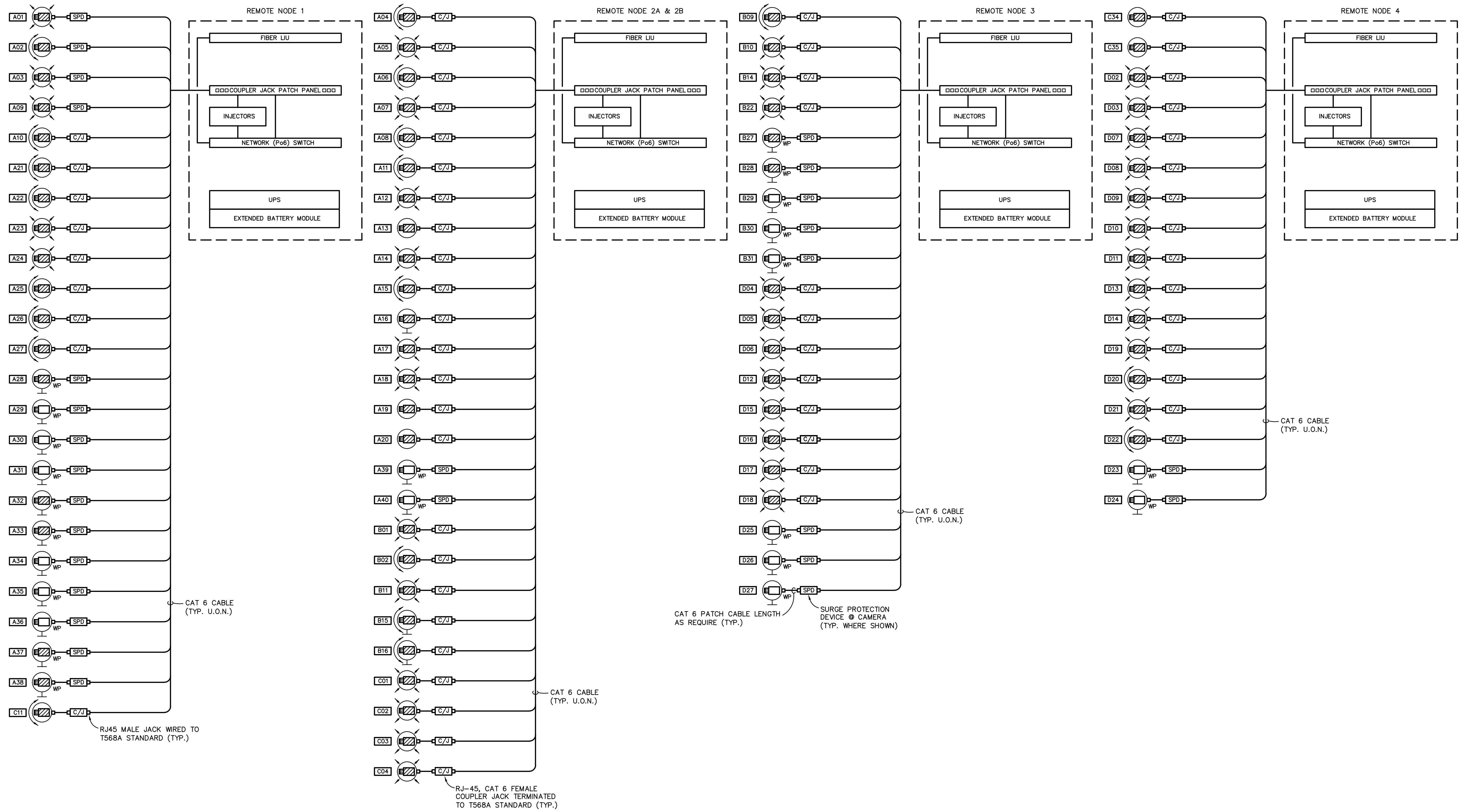
19013
 2022-03-03

ROBLET A. ROLLEY
 LICENSE
 No. 21600
 STATE OF
 FLORIDA
 PROFESSIONAL ENGINEER

ROLLY ENGINEERING INC.
 Certificate of Authorization Number #002
 7750 W. Waters Avenue, Tampa, Florida, 33615
 Robert Andrew Rolley, Florida P.E. #1600

title
 FT. MYERS P&DC
 SECURITY UPGRADES
 14080 JETPORT LOOP
 FT MYERS, FL 33913
 K65332

MAG
 1000 North Ashby Dr | Suite 505 | Tampa, FL 33602
 813.264.4441 | ADMIN@maginc.com | 813.264.0022



1908-e01.dwg April 12 2018 5:16pm
 FILE LOCATION:
 LAST SAVED

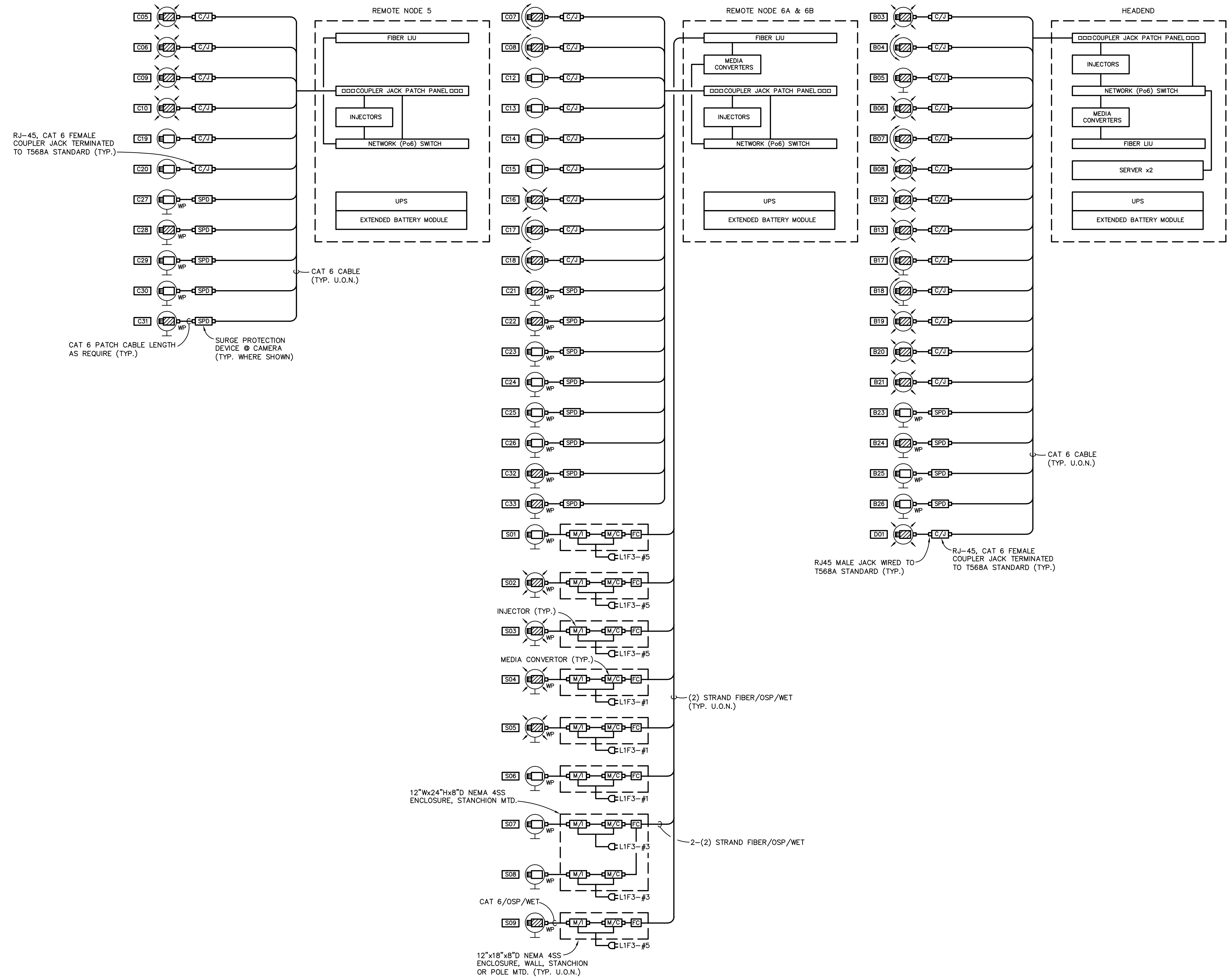
consultant
ROLLEY ENGINEERING INC
 Certificate of Authorization Number #002
 7758 W. Western Avenue, Tampa, Florida 33615
 Robert Andrew Rolley, Florida P.E. #7400

revisions	project phase	sheet name
19013	2022-03-03	CCTV BLOCK DIAGRAMS
	ISSUE DATE	



FT. MYERS P&DC
 SECURITY UPGRADES
 14080 JETPORT LOOP
 FT MYERS, FL 33913
 K65332





consultant

revisions

19013	2022-03-03
-------	------------

project | phase

ISSUE date

sheet name

CCTV BLOCK DIAGRAMS

ROBERT A. ROLLEY
LICENSE
No 21600
STATE OF
FLORIDA
PROFESSIONAL ENGINEER

title

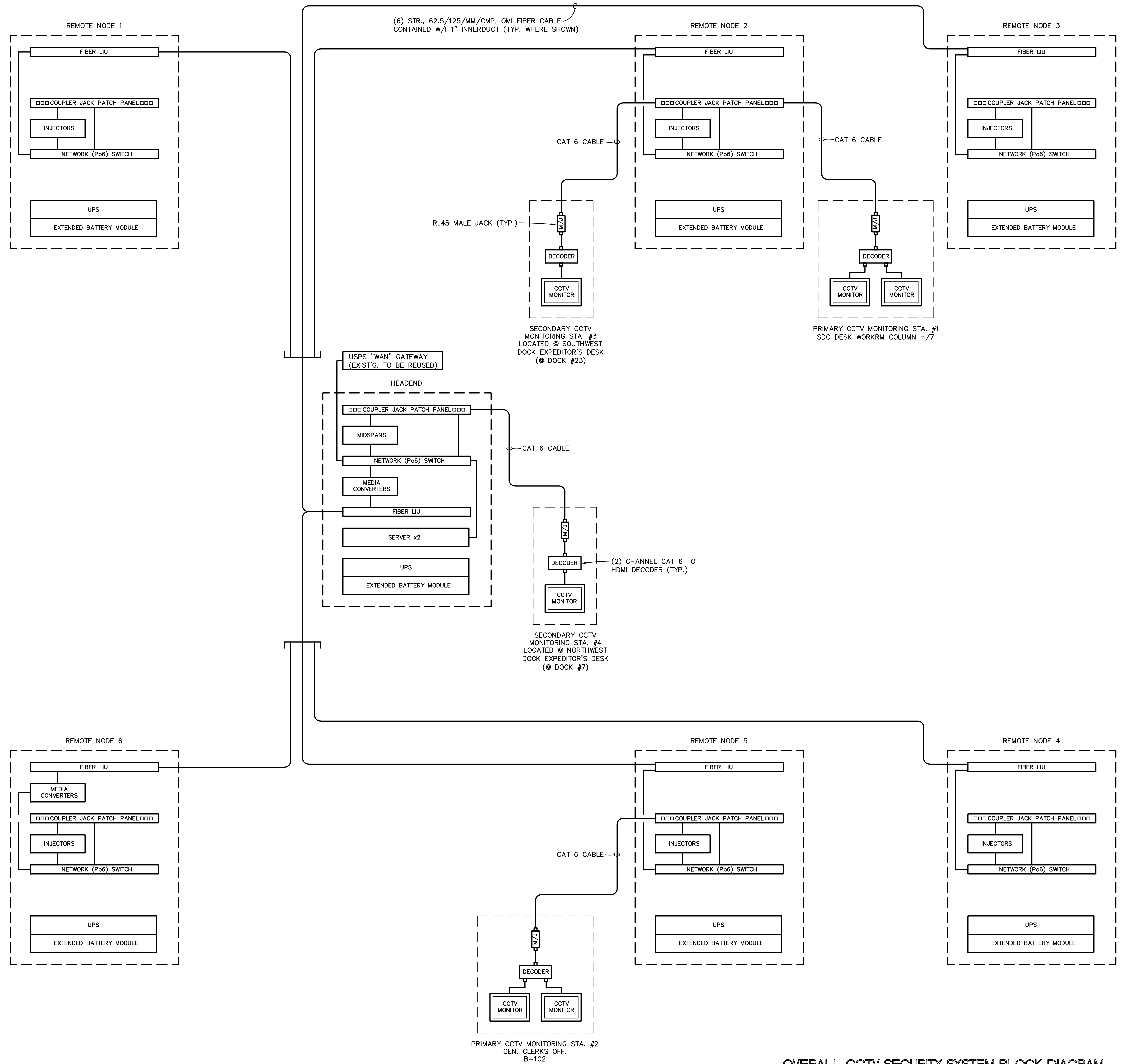
FT. MYERS P&DC
SECURITY UPGRADES

14080 JETPORT LOOP
FT MYERS, FL 33913

K65332

MAG 4 INC

1000 North Ashby Dr | Suite 505 | Tampa, FL 33602
813.264.4411 | ADMIN@mag4inc.com | 813.260.1022



OVERALL CCTV SECURITY SYSTEM BLOCK DIAGRAM
 SCALE: N.T.S.

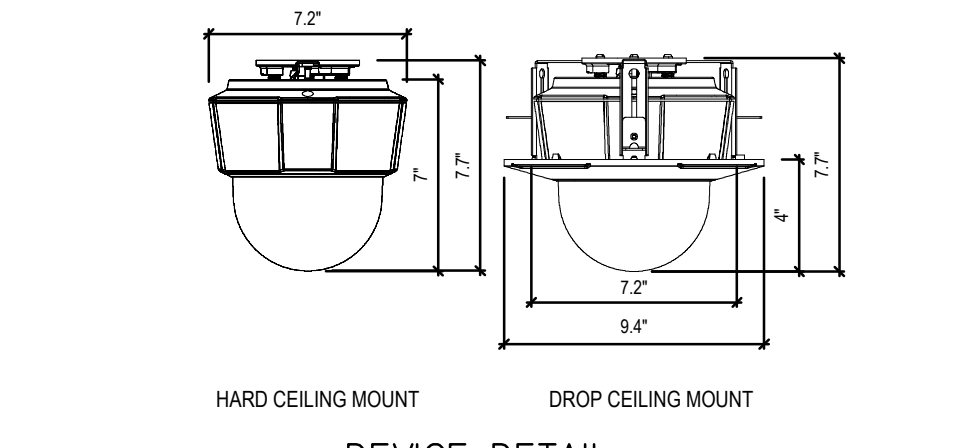
FT. MYERS P&DC
 SECURITY UPGRADES
 14080 JETPORT LOOP
 FT MYERS, FL 33913
 K65332

MAG 4 INC.
 1000 North Ashby Dr | Suite 505 | Tampa, FL 33602
 813.264.4441 | ADMIN@mag4inc.com | (813)200.1032

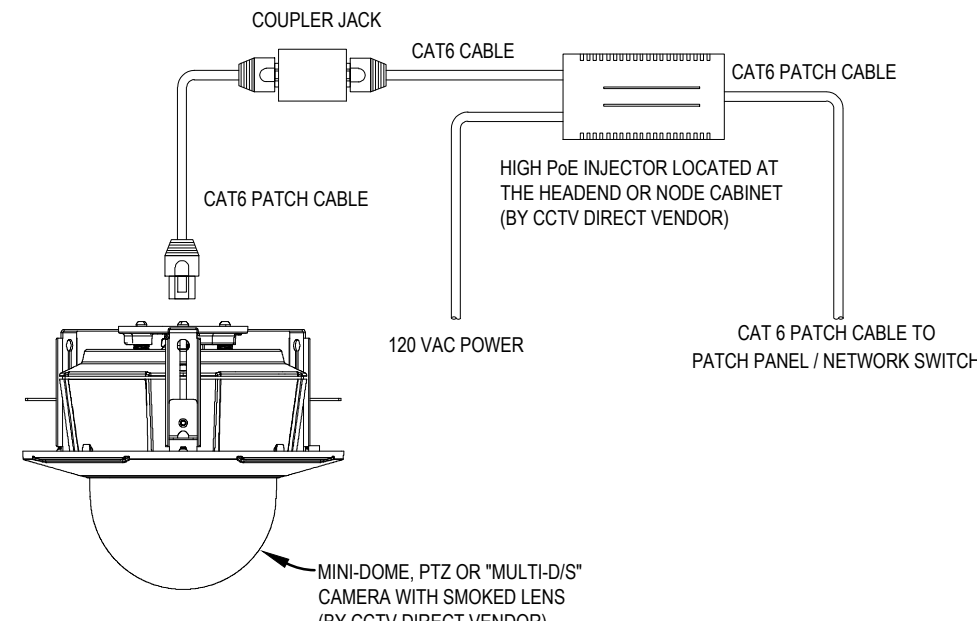
consultant
 revisions
 project phase
 19013
 2022-03-03
 issue date
 sheet name
 OVERALL CCTV BLOCK DIAGRAMS

A. ROLLEY
 LICENSE
 No 21600
 STATE OF
 FLORIDA
 PROFESSIONAL ENGINEER

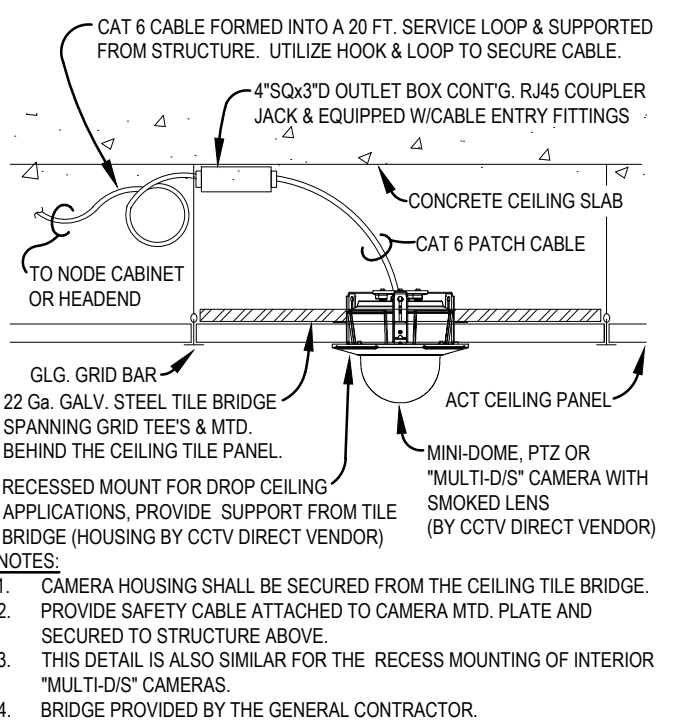
e8.03
 sheet 28 of 32



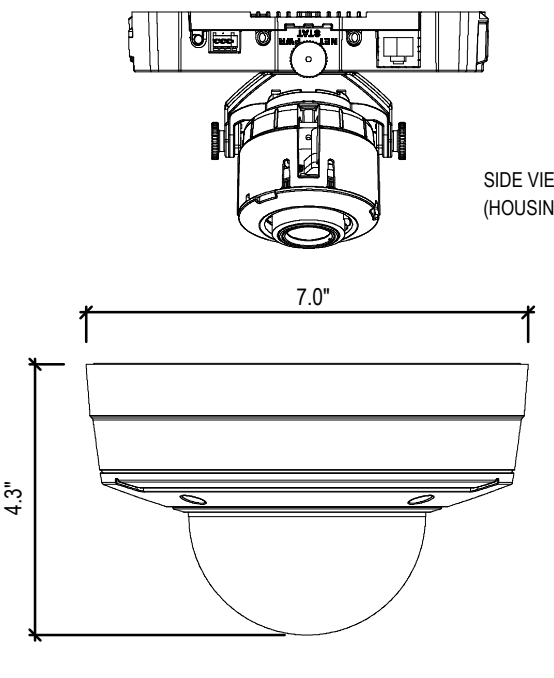
DEVICE DETAIL



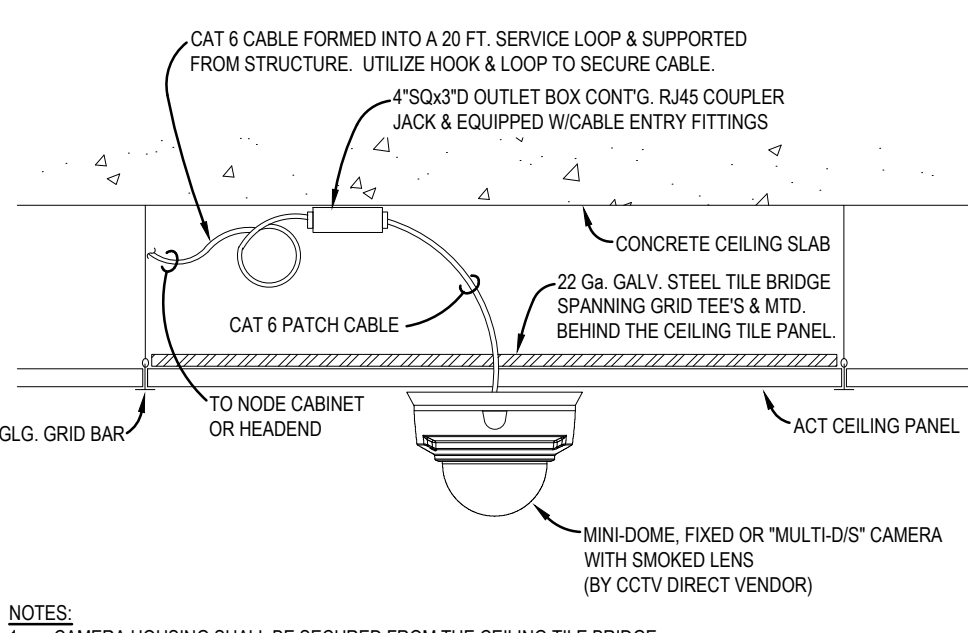
CAT6 WIRING DETAIL



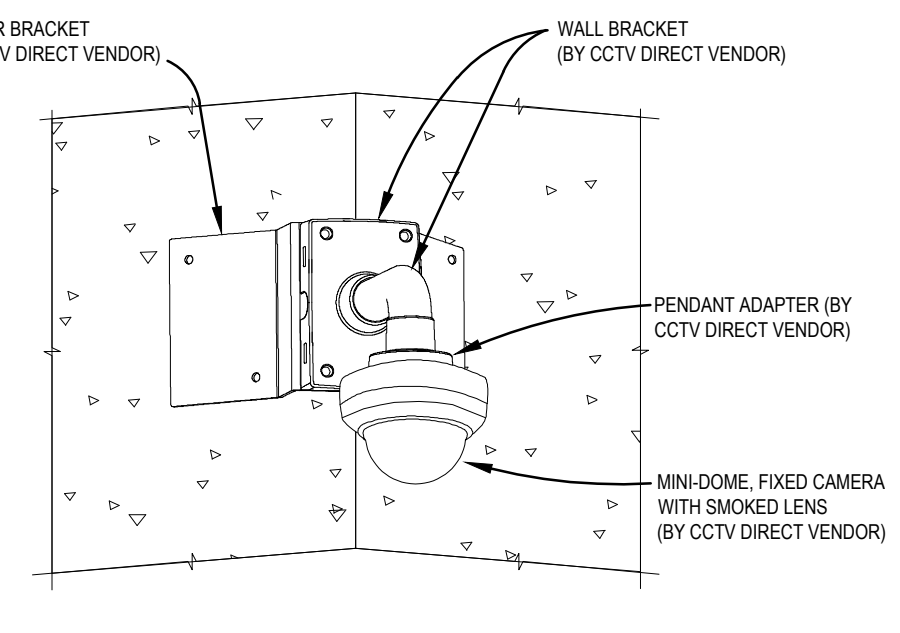
INTERIOR RECESSED MOUNT (ACT CEILING)



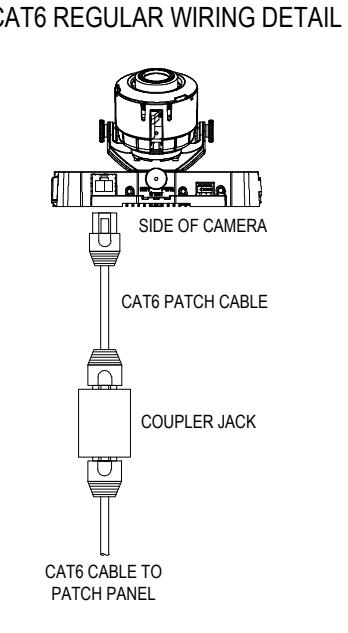
DEVICE DETAIL



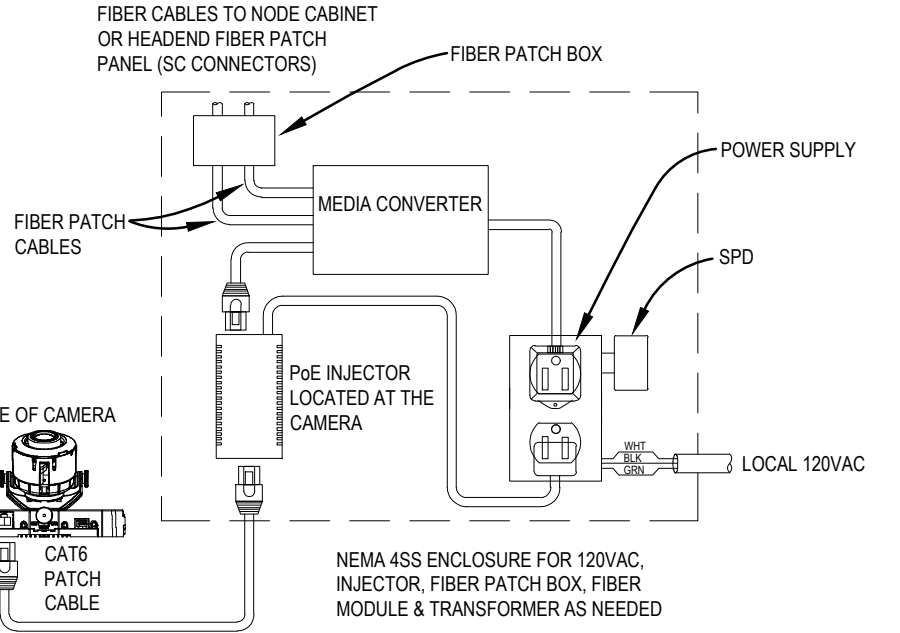
INTERIOR SURFACE MOUNT (ACT CEILING)



WALL CORNER MOUNTING DETAIL



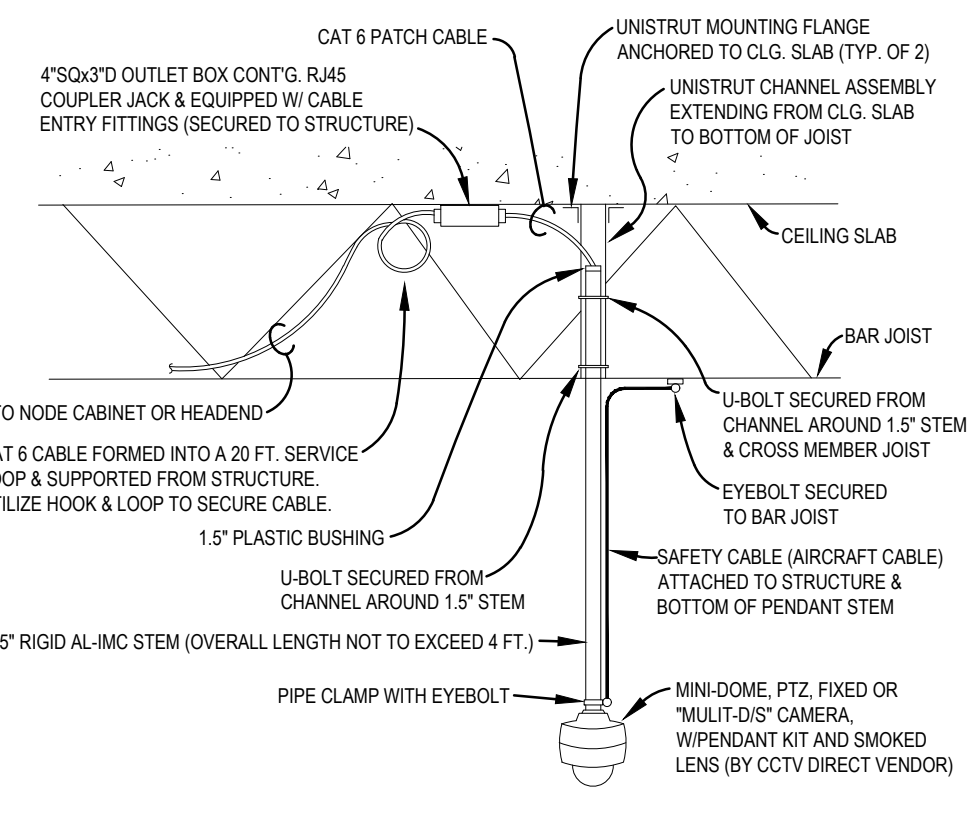
CAT6 WIRING DETAIL



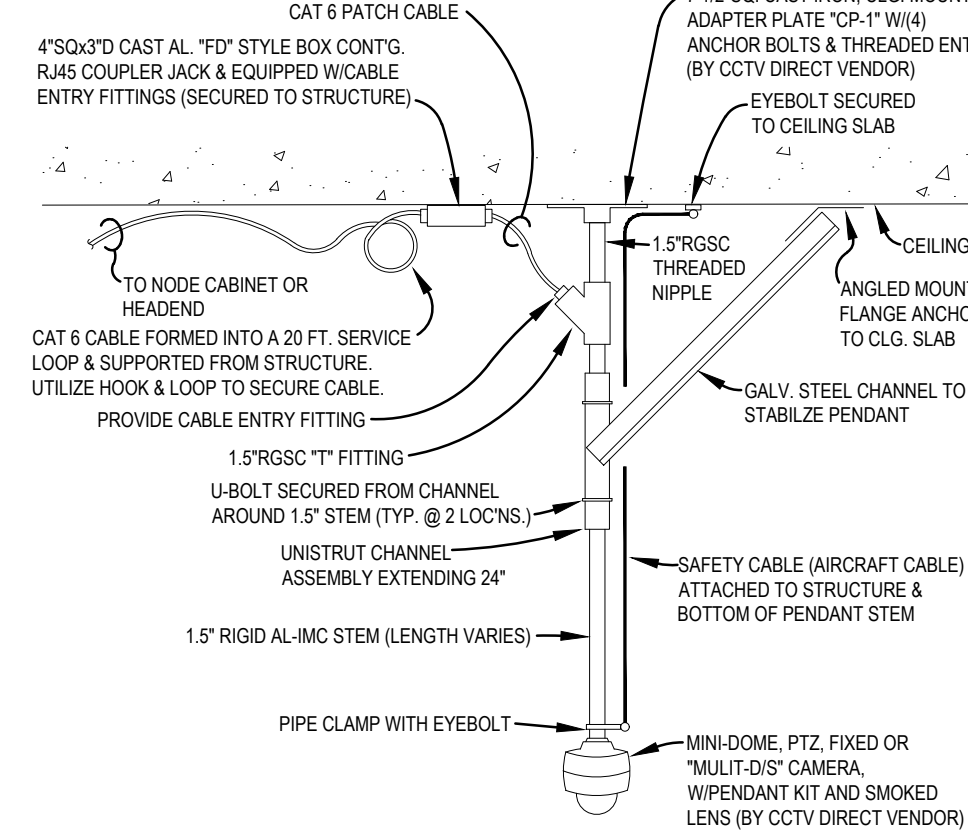
FIBER WIRING DETAIL

PTZ CAMERA MOUNTING DETAILS

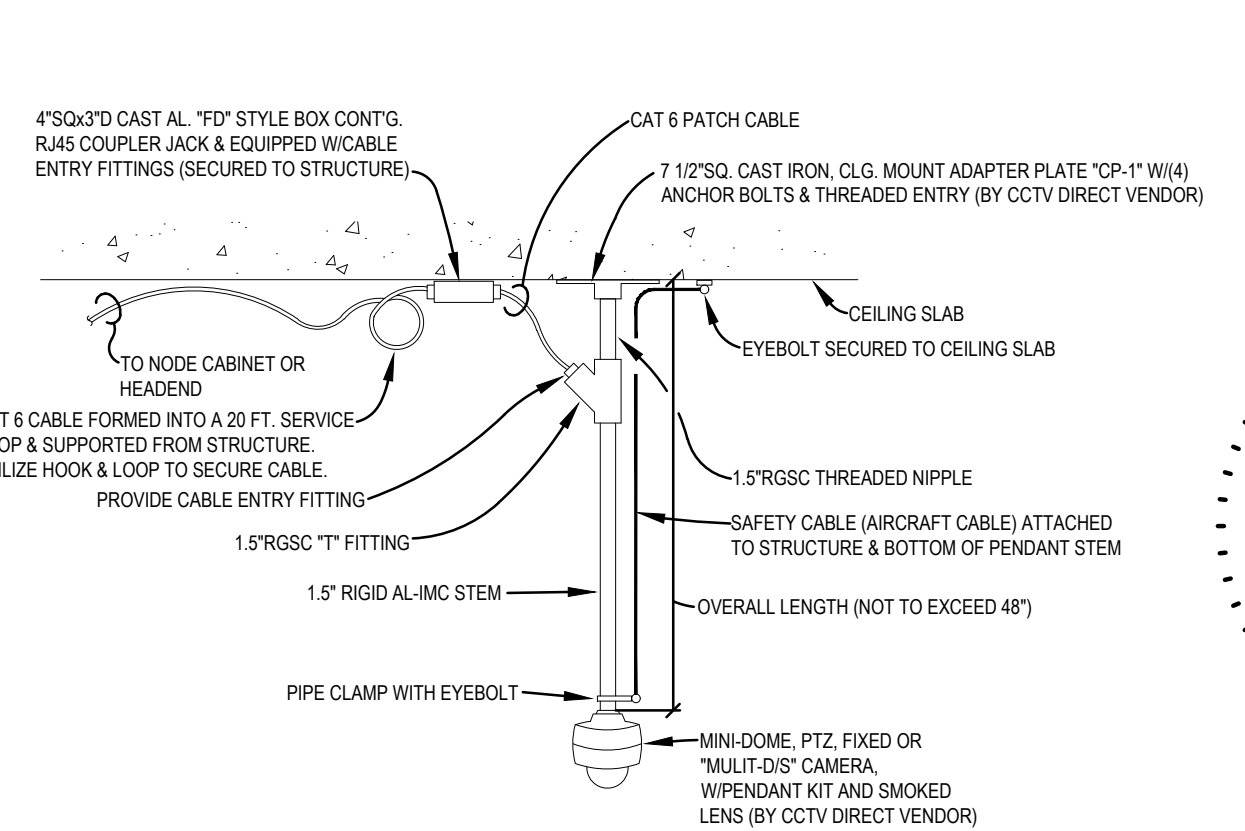
SCALE: N.T.S.



INTERIOR-WORKROOM/PLATFORM (STEM LENGTH NOT TO EXCEED 4 FT.)



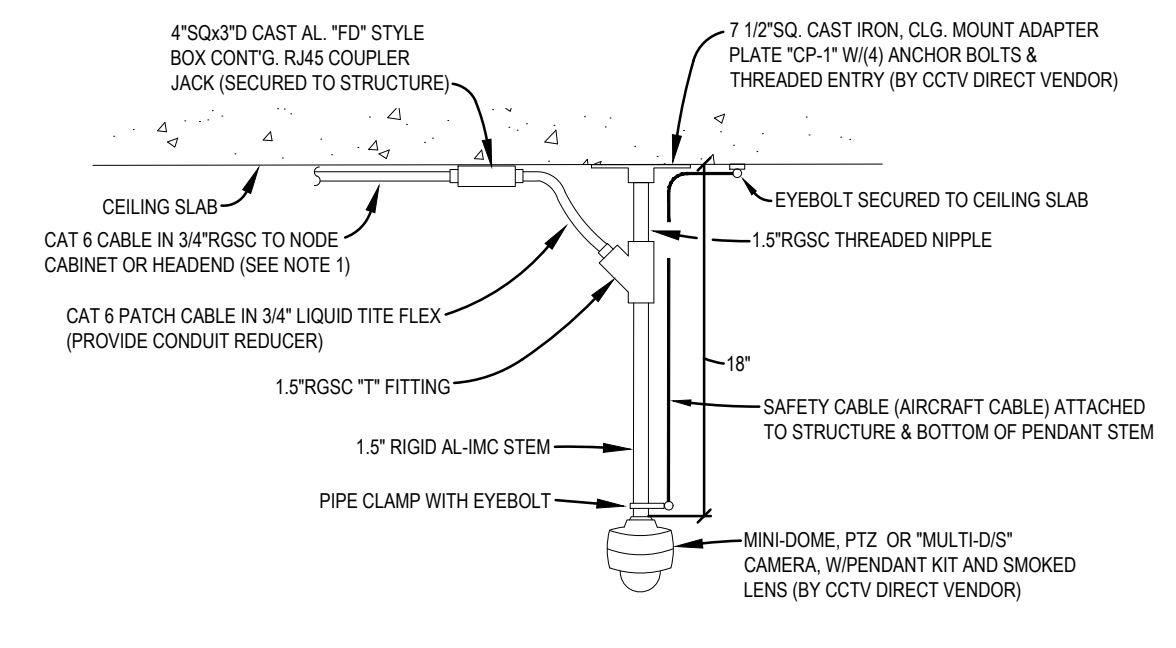
INTERIOR-WORKROOM/PLATFORM (STEM LENGTH EXCEEDS 4 FT.)



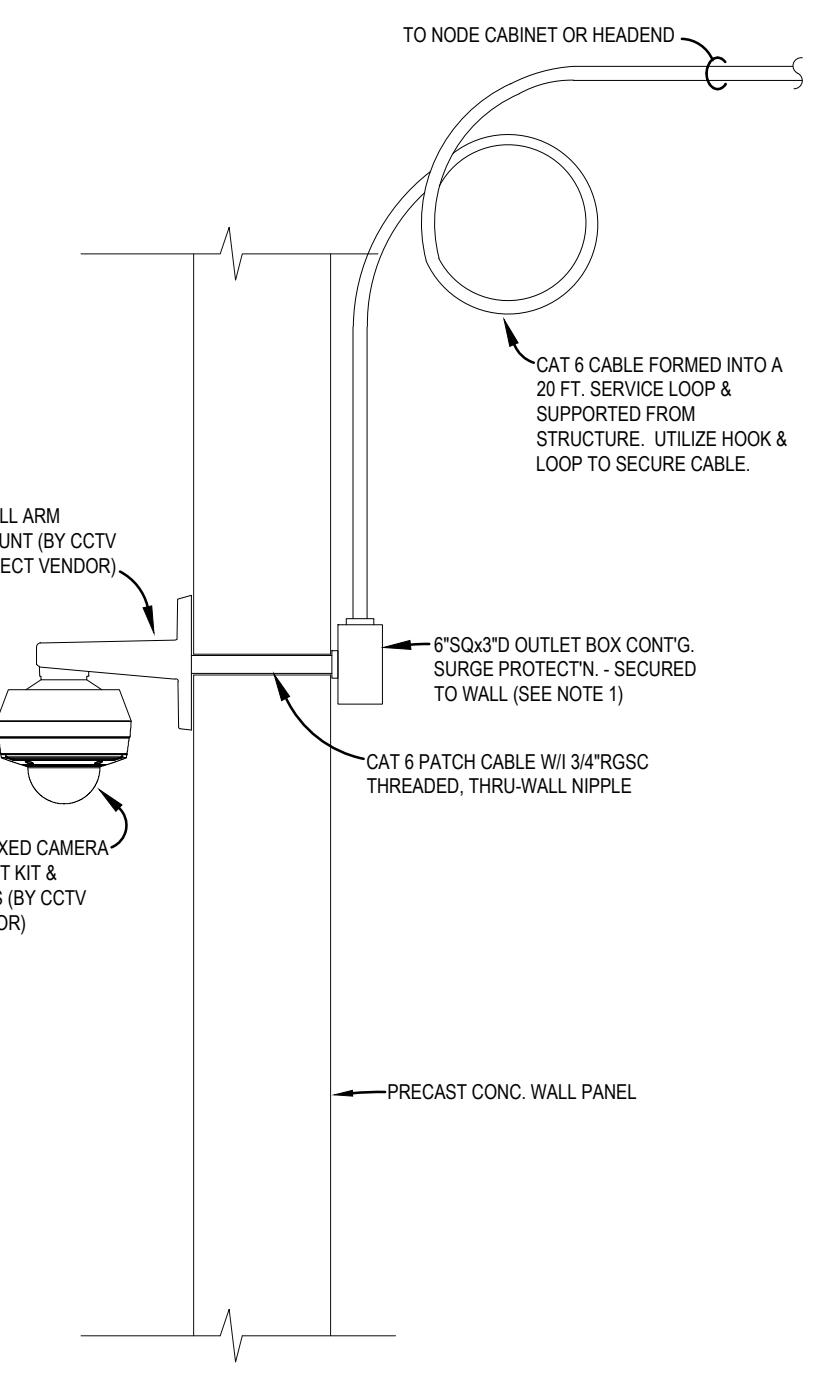
INTERIOR-WORKROOM/PLATFORM (STEM LENGTH NOT TO EXCEED 4 FT.)

CEILING PENDANT MOUNTED CAMERA DETAILS

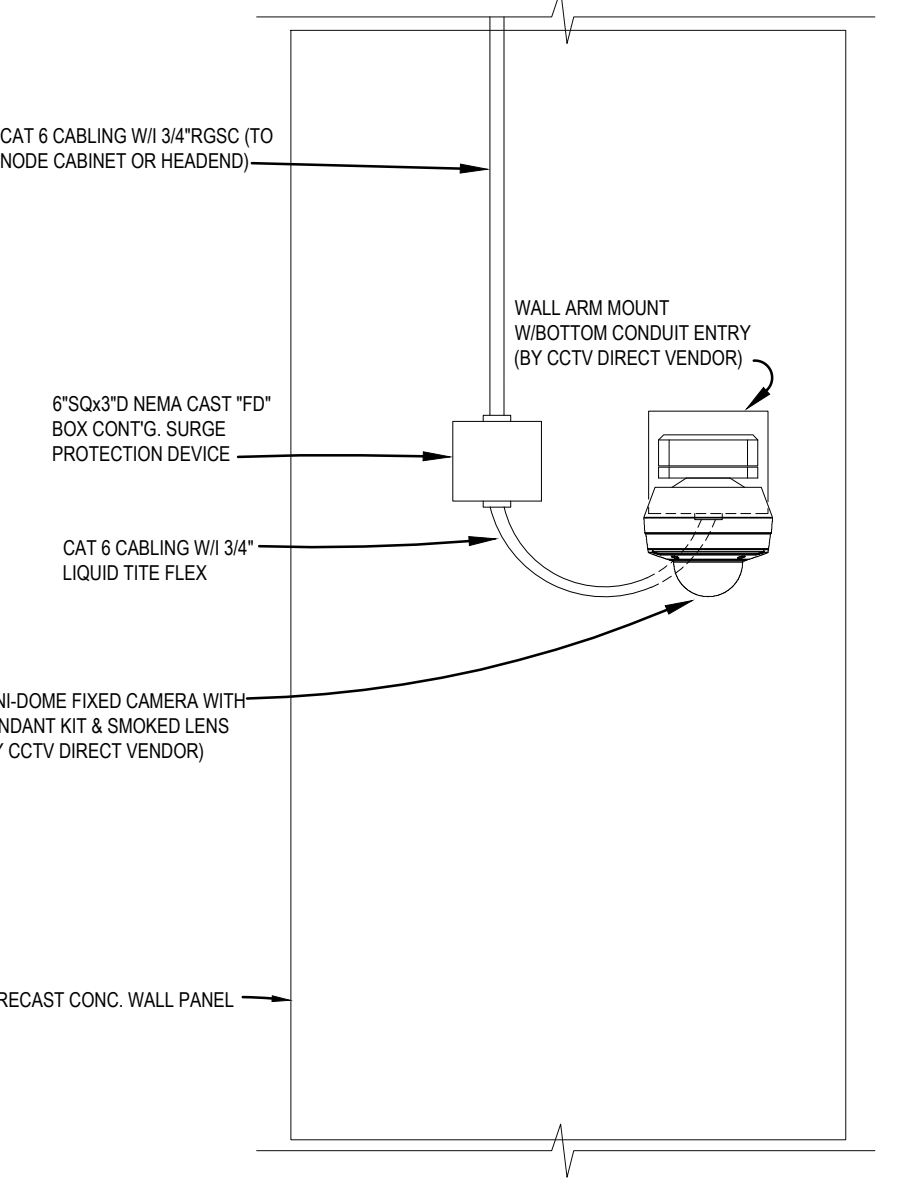
SCALE: N.T.S.



EXTERIOR-BMEU PLATFORM



EXTERIOR WALL ARM MOUNT (PREFERRED MOUNTING)



EXTERIOR WALL ARM MOUNT

- NOTES**
- COORD. FINAL LOCATION OF COMPONENTS W/USPS AND FIELD CONDITIONS.
 - PROVIDE FLUSH BOXES & CONCEALED CONDUIT.
 - MASTER INTERCOM UNIT TO BE DESK MOUNTED. REFER TO VIDEO INTERCOM RISER.
 - UPS UNIT SHALL BE 1000VA/900W LINE-INTERACTIVE TYPE W/18 MINUTE BATTERY RESERVE @ 450 WATTS. PROVIDE WALL BRACKET MOUNT. TRIPP-LITE #SMART1000RMXL2U & 2POSRMKTWM.
 - THIS ELEVATION IS TYP. FOR PRIMARY MONITORING STATION #2 W/ THE GENERAL CLERKS OFFICE B-102.

PRIMARY CCTV MONITORING STATION #2 - ELEVATION

SCALE: N.T.S.

ROLLEY ENGINEERING INC.
 Certified of Authorization Number #002
 7750 W. Weiner Avenue, Tampa, Florida, 33615
 Robert A. Rolley, P.E. #21600

consultant

revisions

19013

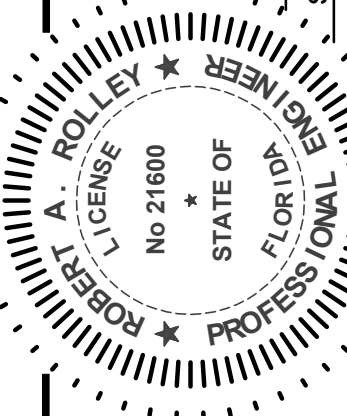
2022-03-03

project phase

issue date

sheet name

CCTV MOUNTING DETAILS



FT. MYERS P&DC
 SECURITY UPGRADES



MAG 4 INC.
 1000 North Ashby Dr. | Suite 905 | Tampa, FL 33602
 813.264.4441 | ADMIN@mag4inc.com | 813.264.0022

sheet

e8.04

29 of 32

1908-a2.01.dwg November 21, 2018 10:36am
 FILE LOCATION:
 LAST SAVED.

PROPOSED CAMERA SCHEDULE NOTES

- 1 PROVIDE SURGE PROTECTION DEVICE AT THE CAMERA AND HEADEND OR NODE CABINET.

PROPOSED CCTV CAMERA SCHEDULE (ZONES 'A' & 'B')

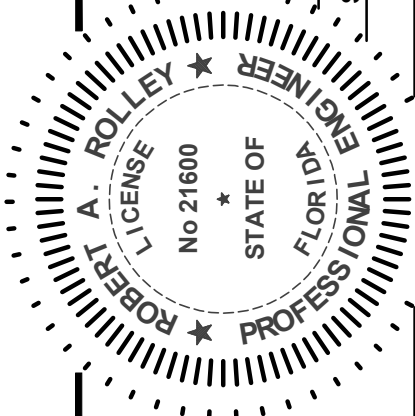
REF#	HC	CAMERA FIELD OF VIEW - HEADING	CAMERA TYPE	CAMERA ENVIRONMENT	CAMERA MOUNTING	CAMERA SYSTEM	CAMERA HOUSING	CAMERA MOUNT	MOUNTING HEIGHT	CAMERA POWER	CABLING	MEDIA CONVERTER/EXTENDER	COMMENTS
A01	NODE #1	BMEU DOCK DOOR #48	MULTI-D/S	OUTDOOR - COVERED	HARD DROPPED CEILING	AXIS #P3719-PL	MINI DOME	CEILING PENDANT	BOTTOM @ ±10'AFF	H PoE; 30W INJECTOR	CAT 6	NONE	"CIS" CAMERA
A02		BMEU DOCK DOORS #45, #46 & #47	PTZ			AXIS #P5654-E							
A03		#42, #43 & #44	MULTI-D/S			AXIS #P3719-PL							
A04	NODE #2	PLATFORM DOCK DOORS #40 & #41	PTZ	INDOOR	EXPOSED CEILING	AXIS #P5654-E							
A05		#37, #38 & #39	MULTI-D/S			AXIS #P3719-PL							
A06		#34, #35 & #36	PTZ			AXIS #P5654-E							
A07		#31, #32 & #33	MULTI-D/S			AXIS #P3719-PL							
A08		#28, #29 & #30	PTZ			AXIS #P5654-E							
A09	NODE #1	BMEU DESK	MULTI-D/S	OUTDOOR - COVERED	HARD DROPPED CEILING	AXIS #P3719-PL							
A10		COUNTER	PTZ	INDOOR	DROPPED "ACT" CEILING	AXIS #P5654-E		RECESSED HOUSING	CEILING @ 12'AFF				
A11	NODE #2	MERLIN #1											
A12		MERLIN #2	MULTI-D/S			AXIS #P3719-PL							
A13		PLATFORM - FLOOR SCALE	FIXED		EXPOSED CEILING	AXIS #P3245-VE		CEILING PENDANT	BOTTOM @ ±16'AFF	SWITCH PoE			
A14		SOUTH	MULTI-D/S			AXIS #P3719-PL				H PoE; 30W INJECTOR			
A15		VENDING E2-109	PTZ		DROPPED "ACT" CEILING	AXIS #P5654-E		RECESSED HOUSING	CEILING @ 9'AFF				
A16		HAZMAT ROOM E2-104	FIXED		WALL	AXIS #P3245-VE		WALL BRACKET ARM	BOTTOM @ ±9'AFF	SWITCH PoE			
A17		WORKROOM - G/4 & G/5	MULTI-D/S		EXPOSED CEILING	AXIS #P3719-PL		CEILING PENDANT	BOTTOM @ ±14'AFF	H PoE; 30W INJECTOR			
A18		G/9											
A19		REGISTRY CAGE	FIXED		CAGED CEILING	AXIS #P3245-VE		SURFACE CLG CONDUIT BOX	BOTTOM @ 84"AFF	SWITCH PoE			
A20													
A21	NODE #1	MAIN PARTS ROOM F2-119	PTZ		EXPOSED CEILING	AXIS #P5654-E		CEILING PENDANT	BOTTOM @ ±12'AFF	H PoE; 30W INJECTOR			
A22													
A23		MAIN PARTS ROOM F2-120	MULTI-D/S			AXIS #P3719-PL							
A24													
A25			PTZ		DROPPED "ACT" CEILING	AXIS #P5654-E		RECESSED HOUSING	CEILING @ 9'AFF				
A26		VENDING F1-102											
A27		BREAKROOM F2-102											
A28		EMPLOYEE PARKING - SOUTH	FIXED	OUTDOOR - BLDG MTD	WALL	AXIS #P3245-VE		WALL BRACKET ARM	BOTTOM @ ±16'AFF	SWITCH PoE			
A29		EXTERIOR DOOR A8							BOTTOM @ ±9'AFF				
A30		EXTERIOR DOOR A10											
A31		EXTERIOR DOOR A7											
A32		DOOR A3 & EQ. REPAIR DOCK											
A33		EMPLOYEE PARKING - SOUTHWEST							BOTTOM @ ±16'AFF				"CIS" CAMERA
A34		PEDESTRIAN GATE S3							BOTTOM @ ±12'AFF				
A35		BMEU MANUAL ENTRY/EXIT GATE											
A36		TRUCK ENTRY/EXIT GATE											
A37		BMEU PARKING											"CIS" CAMERA
A38		BMEU RAMP											"CIS" CAMERA
A39	NODE #2	EXTERIOR DOOR A25							BOTTOM @ ±9'AFF				
A40		EXTERIOR DOOR A26											
B01	NODE #2	PLATFORM DOCK DOORS #25, #26 & #27	MULTI-D/S	INDOOR	EXPOSED CEILING	AXIS #P3719-PL	MINI DOME	CEILING PENDANT	BOTTOM @ ±10'AFF	H PoE; 30W INJECTOR	CAT 6	NONE	"CIS" CAMERA
B02		#22, #23 & #24	PTZ			AXIS #P5654-E							
B03	HEADEND	#19, #20 & #21	MULTI-D/S			AXIS #P3719-PL							
B04		#16, #17 & #18	PTZ			AXIS #P5654-E							
B05		TRASH ROOM E1-117	FIXED	OUTDOOR COVERED	WALL	AXIS #P3245-VE		WALL BRACKET ARM		SWITCH PoE			
B06		PLATFORM DOCK DOORS #13, #14 & #15	MULTI-D/S	INDOOR	EXPOSED CEILING	AXIS #P3719-PL		CEILING PENDANT		H PoE; 30W INJECTOR			
B07		#10, #11 & #12	PTZ			AXIS #P5654-E							
B08		#7, #8 & #9	MULTI-D/S			AXIS #P3719-PL							
B09	NODE #3	#4, #5 & #6	PTZ			AXIS #P5654-E							
B10		#1, #2 & #3	MULTI-D/S			AXIS #P3719-PL							
B11	NODE #2	PLATFORM NORTH							BOTTOM @ ±16'AFF				
B12	HEADEND												
B13													
B14	NODE #3												
B15	NODE #2	SUPPLY ROOM E1-109	PTZ		WALL	AXIS #P5654-E		WALL BRACKET ARM					
B16		SUPPLIES E1-111											
B17	HEADEND	STOCK ROOM H-109							BOTTOM @ ±12'AFF				
B18													
B19		WORKROOM - G/11	MULTI-D/S		EXPOSED CEILING	AXIS #P3719-PL		CEILING PENDANT	BOTTOM @ ±14'AFF				
B20		G/13 & G/14											
B21		G/15											
B22	NODE #3	G/16 & G/17											
B23	HEADEND	EXTERIOR DOOR B4	FIXED	OUTDOOR - BLDG MTD	WALL	AXIS #P3245-VE		WALL BRACKET ARM	BOTTOM @ ±9'AFF	SWITCH PoE			
B24		RCYCLE AREA @ TRASH											"CIS" CAMERA
B25		EXTERIOR DOOR B8											
B26		EXTERIOR DOOR B12											
B27	NODE #3	RECYCLE AREA @ DOCK #2											"CIS" CAMERA
B28		@ DOCK #1											
B29		EXTERIOR DOOR B15											
B30		EXTERIOR DOOR B16											
B31		EXTERIOR DOOR B17											

ROlLEY ENGINEERING INC
 Certificate of Authorization Number #002
 7750 W. Wekiva Avenue, Tampa, Florida, 33615
 Robert Andrew Rolley, Florida P.E. #21600

consultant

revisions

project phase 19013
 issue date 2022-03-03
 sheet name CCTY CAMERA SCHEDULE



FT. MYERS P&DC
 SECURITY UPGRADES
 14080 JETPORT LOOP
 FT MYERS, FL 33913

K65332



PROPOSED CAMERA SCHEDULE NOTES

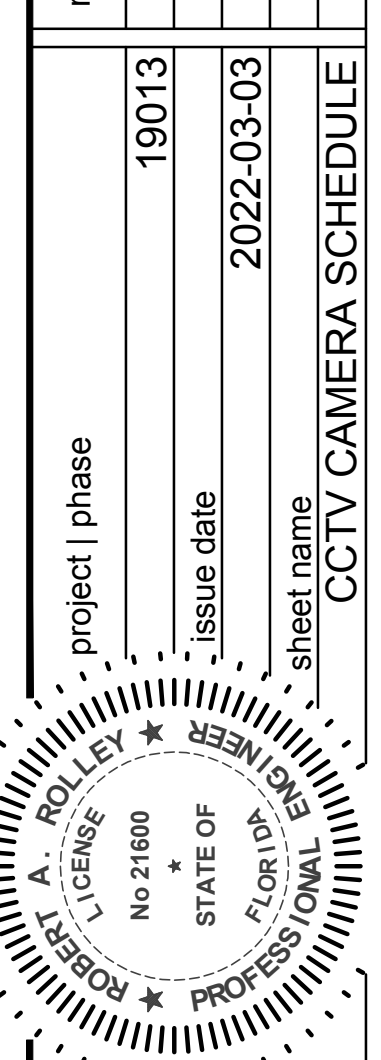
1 PROVIDE SURGE PROTECTION DEVICE AT THE CAMERA AND HEADEND OR NODE CABINET.

PROPOSED CCTV CAMERA SCHEDULE (ZONES 'C' & 'D' AND SITE)

REF#	HC	CAMERA FIELD OF VIEW - HEADING	CAMERA TYPE	CAMERA ENVIRONMENT	CAMERA MOUNTING	CAMERA SYSTEM	CAMERA HOUSING	CAMERA MOUNT	MOUNTING HEIGHT	CAMERA POWER	CABLING	MEDIA CONVERTER/EXTENDER	COMMENTS
C01	NODE #2	WORKROOM - GH/7 & GH/8	MULTI-D/S	INDOOR	EXPOSED CEILING	AXIS #P3719-PLE	MINI DOME	CEILING PENDANT	BOTTOM @ ±14'AFF	H PoE; 30W INJECTOR	CAT 6	NONE	"CIS" CAMERA
C02		HJ/4 & HJ/5											
C03		H/6 & J/6											
C04		HJ/7 & HJ/8											
C05	NODE #5	K/5											
C06		K/7											
C07	NODE #6	MANUAL LETTERS - KL/2 & KL/3	PTZ			AXIS #P5654-E			BOTTOM @ ±10'AFF				
C08		LM/2 & LM/3											
C09	NODE #5	SECURED DESTRUCTN. AREA-LM/3 & LM/4	MULTI-D/S			AXIS #P3719-PLE							
C10		LM/4 & LM/5											
C11	NODE #1	QUIET ROOM F1-121	PTZ		DROPPED "ACT" CEILING	AXIS #P5654-E		RECESSED HOUSING	CEILING @ 9'AFF				
C12	NODE #6	TURNSTILES - EXIT	FIXED			AXIS #P3245-VE		SURFACE CEILING MTD		SWITCH PoE			
C13		RE-4 EXIT DOOR C4 & EVAC PB											
C14		TURNSTILES - ENTRY											
C15		RE-4 ENTRY DOOR C4											
C16		CAFETERIA F1-103	MULTI-D/S			AXIS #P3719-PLE		RECESSED HOUSING		H PoE; 30W INJECTOR			"CIS" CAMERA
C17			PTZ		DROPPED HARD CEILING	AXIS #P5654-E							
C18		VENDING F1-124			DROPPED "ACT" CEILING								
C19	NODE #5	RECEPTION A-155 (ENTRY)	FIXED			AXIS #P3245-VE		SURFACE CEILING MTD		SWITCH PoE			
C20		(EXIT)											
C21	NODE #6	EMPLOYEE PARKING -SOUTHEAST		OUTDOOR - BLDG MTD	WALL			WALL BRACKET ARM	BOTTOM @ ±12'AFF				1 "CIS" CAMERA
C22		PICNIC TABLE AREA											
C23		PEDESTRIAN GATE "S4"											
C24		EXTERIOR DOORS C10 & C11							BOTTOM @ ±9'AFF				
C25		C12											
C26		C13											
C27	NODE #5	C14											
C28		ADMIN/OVERFLOW PARKING							BOTTOM @ ±12'AFF				1 "CIS" CAMERA
C29		EXTERIOR DOOR C15							BOTTOM @ 9'AFF				
C30		EXTERIOR DOOR C16											
C31		ADMIN/OVERFLOW PARKING			CORNER MOUNT				BOTTOM @ ±12'AFF				1 "CIS" CAMERA
C32	NODE #6	SCREENED BREAKROOM - WEST		OUTDOOR - COVERED	WALL				BOTTOM @ ±9'AFF				"CIS" CAMERA
C33		EAST											
C34	NODE #4	BREAKROOM B-104		INDOOR	DROPPED "ACT" CEILING			SURFACE CEILING MTD	CEILING @ 9'AFF				
C35		MAIL ROOM B-117											
D01	HEADEND	WORKROOM - GH/9 & GH/10	MULTI-D/S	INDOOR	EXPOSED CEILING	AXIS #P3719-PLE	MINI DOME	CEILING PENDANT	BOTTOM @ ±14'AFF	H PoE; 30W INJECTOR	CAT 6	NONE	"CIS" CAMERA
D02	NODE #4	HJ/9 & HJ/10											
D03		HJ/11											
D04	NODE #3	HJ/13 & HJ/14											
D05		HJ/15											
D06		HJ/16 & HJ/17											
D07	NODE #4	K/8 & K/9											
D08		K/9 & K/10											
D09		K/10 & K/11											
D10		K/13 & K14											
D11		K/15											
D12	NODE #3	K/16 & K/17											
D13	NODE #4	M/13 & M/14											
D14		M/15											
D15	NODE #3	M/16 & M/17											
D16		WORKROOM (LOWER LEVEL) - JK/16							BOTTOM @ 84" AFF				
D17													
D18													
D19	NODE #4	CFS - M/9 & M/10			DROPPED "ACT" CEILING			RECESSED HOUSING	CEILING HT. VARIES				
D20		M/10 & M/11	PTZ			AXIS #P5654-E							
D21		M/11	MULTI-D/S			AXIS #P3719-PLE							
D22		BREAKROOM B-136	PTZ			AXIS #P5654-E			CEILING @ 9'AFF				
D23		EXTERIOR DOOR D12	FIXED	OUTDOOR - BLDG MTD	WALL	AXIS #P3245-VE		WALL BRACKET ARM	BOTTOM @ ±9'AFF	SWITCH PoE			
D24		D13											
D25	NODE #3	NORTHEAST TRUCK GATE - EXIT							BOTTOM @ ±12'AFF				
D26		ENTRY											
D27		EXTERIOR DOOR D14							BOTTOM @ ±9'AFF				
S01	NODE #6	PEDESTRIAN GATE "S3"	FIXED	OUTDOOR - BLUE SKY	EXISTING LIGHTING POLE	AXIS #P3245-VE	MINI DOME	WALL BRACKET ARM	BOTTOM @ ±20'AFG	H PoE; 30W INJECTOR	FIBER	FIBER OPTIC	"CIS" CAMERA
S02		EMPLOYEE PARKING	MULTI-D/S			AXIS #P3719-PLE							
S03													
S04													
S05													
S06		EMPLOYEE EXIT GATE - FRONT	FIXED			AXIS #P3245-VE			BOTTOM @ ±12'AFG				
S07		EMPLOYEE ENTRY GATE - FRONT											
S08		REAR											
S09		EXTERIOR SCREEN @ BREAKROOM		OUTDOOR - COVERED	WALL				BOTTOM @ ±84" AFG				"CIS" CAMERA

consultant
 revisions
 project | phase
 issue date
 sheet name

19013
 2022-03-03
 CCTV CAMERA SCHEDULE



FT. MYERS P&DC
 SECURITY UPGRADES
 14080 JETPORT LOOP
 FT MYERS, FL 33913

title
 K65332



EXISTING
PANEL "IS"
PANELBOARD SCHEDULE

bus amps			LOAD			poles/amps			bus			LOAD			bus amps					
A	B	C	A	B	C	A	B	C	A	B	C	A	B	C	A	B	C			
3			RECEPS - STAIR LOG			1	20	1	1			2	20	1	RECEP - OFFICE			6		
3			LOG - LIT			1	1	3	3			4						6		
3			LOG - FAN			1	1	5	5			6						6		
3			APACS CONTROLLERS #4 & #5			1	1	7	7			8						6		
6			CCTV HEADEND			1	30	11	11			10			INTERCOM FIBER ENCLS			3		
10			CCTV NODE CAB. #3			1	20	13	13			12			IDS PANEL			3		
3			CCTV MONITOR STA. #3			1	1	15	15			14			CCTV MONITOR STA. #4			3		
3			INTERCOM FIBER ENCLS			1	1	17	17			16			SPARE					
			SPACE			1	1	17	17			18			SPARE					
						1	1	17	17			20			PROPOSED SPD					
						1	1	17	17											

RATED VOLTAGE: 120/208V., 3 PHASE, 4 WIRE BRANCH POLES: 24
 RATED AMPS: 100 CABINET: FLUSH 100A/3P MAIN BRKR.
 FULL NEUTRAL BUS GROUND BUS HINGED DOOR KEYED DOOR LATCH
 CIRCUIT BREAKER (BOLT-IN) BRANCH DEVICES FEED IS: BOTTOM COPPER BUS
 ALL BREAKERS ARE RATED TO INTERRUPT A SHORT CIRCUIT ISC OF 10,000 AMPS SYMMETRICAL
 MFR: G.E. "A" SERIES MAIN LUGS: 1 SET(S); SIZE: #1/THWN/CU
 TOTAL AMPS: BUS A 31 BUS B 21 BUS C 42 CONNECTED KVA 11.3 DEMAND KVA 7.9

- * PROVIDE 20A/1P BRKR. W/1 EXIST'G. SPACE SHOWN TO FEED PROPOSED LOAD INDICATED. NEW BRKR. TO MATCH EXIST'G..
- o PROVIDE 30A/1P BRKR. W/1 EXIST'G. SPACE SHOWN TO FEED PROPOSED CCTV HEADEND RACK. NEW BRKR. TO MATCH EXIST'G..
- a PROVIDE 40A/3P BRKR. W/1 SPACES NOTED TO FEED PROPOSED SPD. NEW BRKR. TO MATCH EXIST'G. PROPOSED "SPD" SHALL BE SURF. WALL MTD. ADJACENT TO PNL. "IS".

PROPOSED
PANEL "L1F3"
PANELBOARD SCHEDULE

bus amps			LOAD			poles/amps			bus			LOAD			bus amps					
A	B	C	A	B	C	A	B	C	A	B	C	A	B	C	A	B	C			
6			APACS-N S04/S05/S06			1	20	1	1			2	20	1	SPARE					
6			APACS-S S07/S08			1	1	3	3			4								
10			S01/S02/S03/S09			1	1	5	5			6								
10			NODE CAB. #6A & #6B			1	1	7	7			8			40	3		SPD		
			SPARE			1	1	9	9			10								
						1	1	11	11			12								

RATED VOLTAGE: 120/208V., 3 PHASE, 4 WIRE BRANCH POLES: 12
 RATED AMPS: 100 CABINET: SURFACE MAIN LUGS ONLY
 FULL NEUTRAL BUS GROUND BUS HINGED DOOR KEYED DOOR LATCH
 CIRCUIT BREAKER (BOLT-IN) BRANCH DEVICES FEED IS TO BE: TOP COPPER BUS
 ALL BREAKERS MUST BE RATED TO INTERRUPT A SHORT CIRCUIT ISC OF 10,000 AMPS SYMMETRICAL
 APPROVED MFRS: SQUARE "D", G.E., SIEMENS MAIN LUGS: 1 SET(S); SIZE: #1/THWN/CU
 TOTAL AMPS: BUS A 16 BUS B 16 BUS C 4 CONNECTED KVA 4.3 DEMAND KVA 3.0

PROPOSED
PANEL "L2F3"
PANELBOARD SCHEDULE

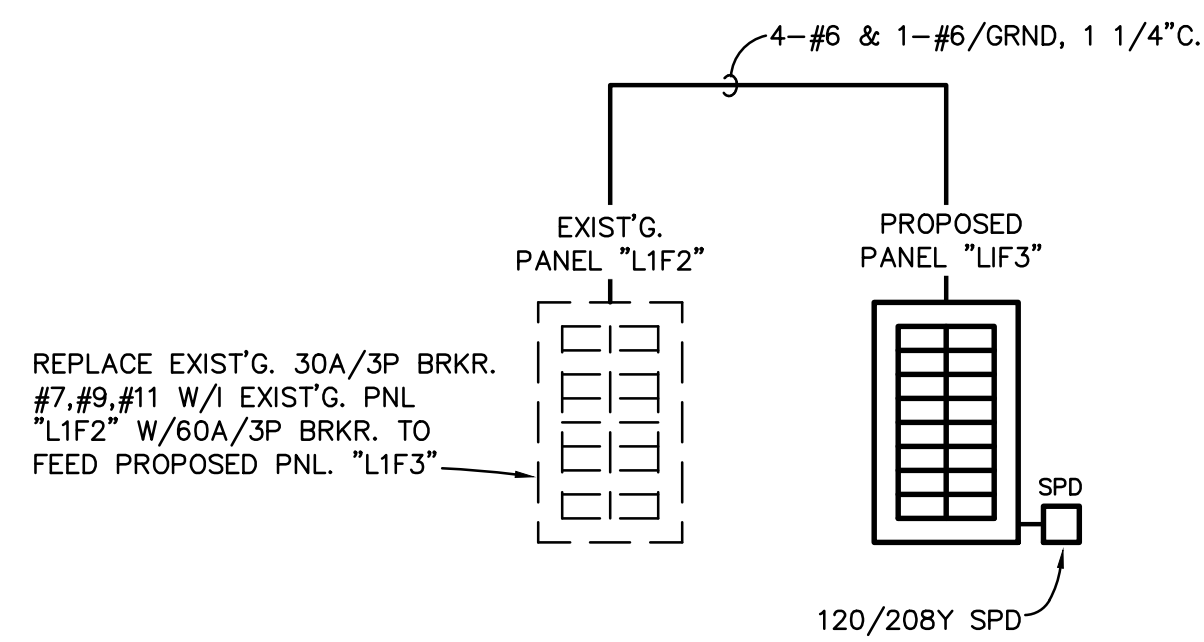
bus amps			LOAD			poles/amps			bus			LOAD			bus amps					
A	B	C	A	B	C	A	B	C	A	B	C	A	B	C	A	B	C			
			SPARE			1	20	1	1			2	20	1	APACS CONTROLLER #3			3		
6			INTERCOM NETWORK CAB.			1	1	3	3			4			CCTV NODE CAB. #2A			10		
			APACS CONTROLLER #2			1	1	5	5			6			CCTV NODE CAB. #2B					
10			CCTV NODE CAB. #1			1	1	7	7			8			SPARE					
			APACS CONTROLLER #1			1	1	9	9			10								
			LRGR P/S'S			1	1	11	11			12								
			SPACE			1	1	11	11			14								
						1	1	11	11			20			40	3		SPD		
						1	1	11	11											

RATED VOLTAGE: 120/208V., 3 PHASE, 4 WIRE BRANCH POLES: 24
 RATED AMPS: 100 CABINET: SURFACE MAIN LUGS ONLY
 FULL NEUTRAL BUS GROUND BUS HINGED DOOR KEYED DOOR LATCH
 CIRCUIT BREAKER (BOLT-IN) BRANCH DEVICES FEED IS TO BE: TOP COPPER BUS
 ALL BREAKERS MUST BE RATED TO INTERRUPT A SHORT CIRCUIT ISC OF 10,000 AMPS SYMMETRICAL
 APPROVED MFRS: SQUARE "D", G.E., SIEMENS MAIN LUGS: 1 SET(S); SIZE: #1/THWN/CU
 TOTAL AMPS: BUS A 13 BUS B 19 BUS C 15 CONNECTED KVA 5.6 DEMAND KVA 3.9

PROPOSED
PANEL "LB2A"
PANELBOARD SCHEDULE

bus amps			LOAD			poles/amps			bus			LOAD			bus amps					
A	B	C	A	B	C	A	B	C	A	B	C	A	B	C	A	B	C			
3			CCTV MONITORING STA. #2			1	20	1	1			2			SPACE					
6			APACS CONTROLLER #6 & #7			1	1	3	3			4								
3			CCTV NODE CAB. #4			1	1	5	5			6								
3			CCTV MONITORING STA. #1			1	1	7	7			8			40	3		SPD		
			SPACE			1	1	9	9			10								
						1	1	11	11			12								

RATED VOLTAGE: 120/208V., 3 PHASE, 4 WIRE BRANCH POLES: 12
 RATED AMPS: 100 CABINET: SURFACE 60A/3P MAIN BRKR.
 FULL NEUTRAL BUS GROUND BUS HINGED DOOR KEYED DOOR LATCH
 CIRCUIT BREAKER (BOLT-IN) BRANCH DEVICES FEED IS TO BE: TOP COPPER BUS
 ALL BREAKERS MUST BE RATED TO INTERRUPT A SHORT CIRCUIT ISC OF 10,000 AMPS SYMMETRICAL
 APPROVED MFRS: SQUARE "D", G.E., SIEMENS MAIN LUGS: 1 SET(S); SIZE: #1/THWN/CU
 TOTAL AMPS: BUS A 6 BUS B 6 BUS C 10 CONNECTED KVA 2.6 DEMAND KVA 1.8

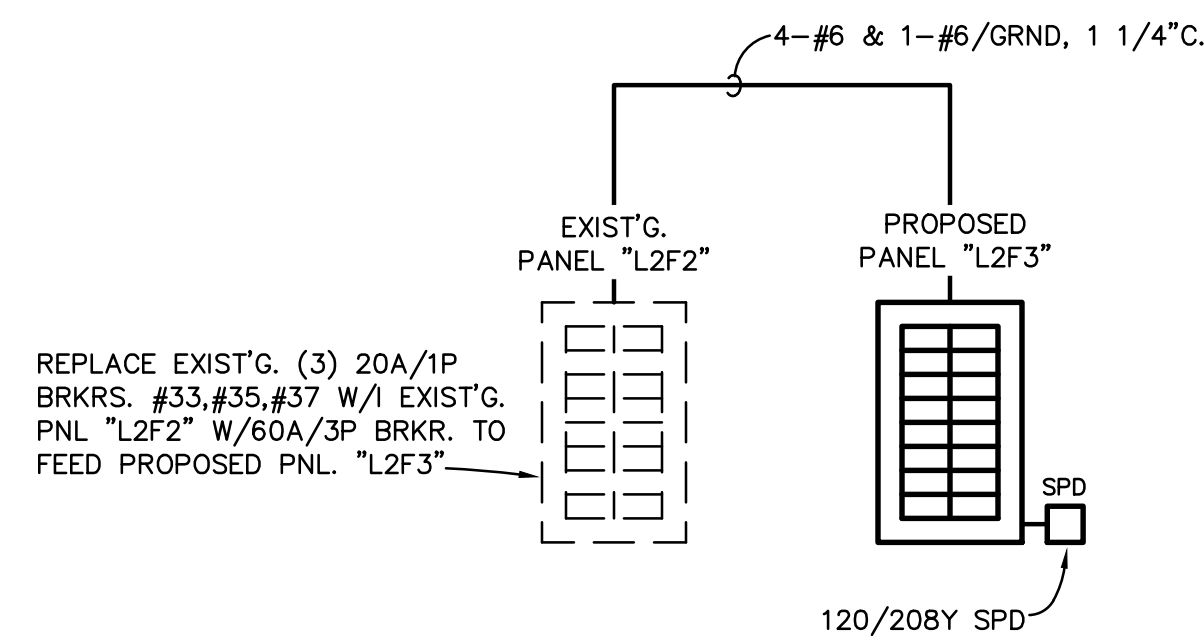


REFER TO DWG. e4.01 FIN. GRADE

NOTES

1. ALL WORK SHOWN WITH "SOLID LINES" DENOTES "PROPOSED AND SHALL BE PROVIDED."
2. ALL WORK SHOWN WITH "DASHED LINES" DENOTES "EXIST'G. TO REMAIN."

PROPOSED PARTIAL ONE LINE DIAGRAM
SCALE: N.T.S.

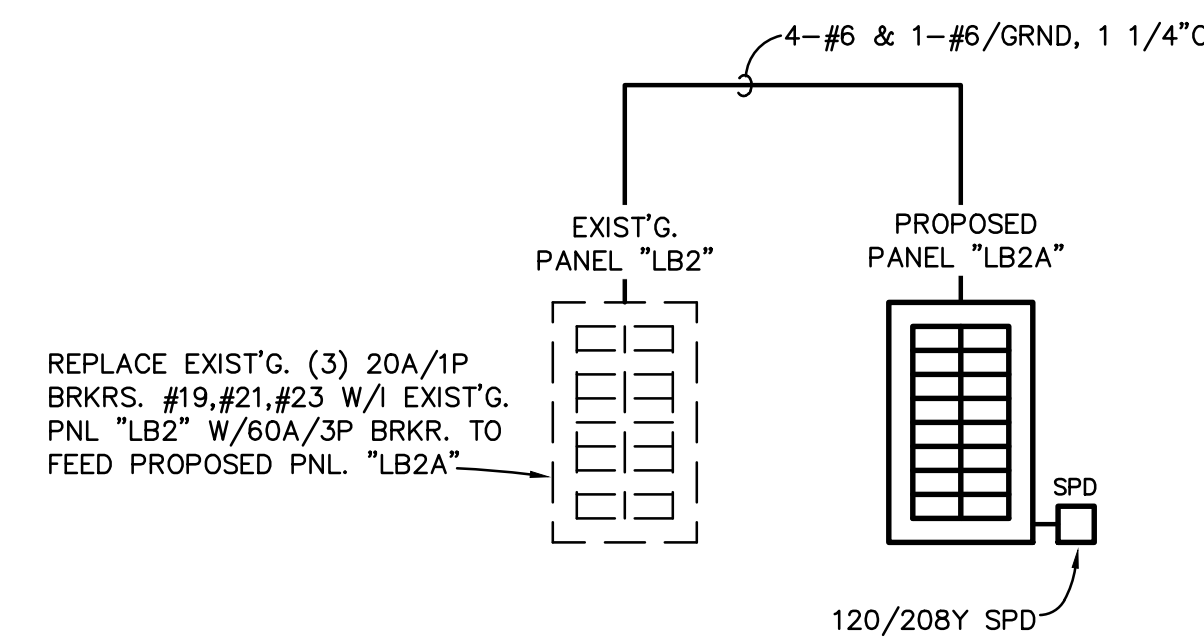


REFER TO DWG. e4.01 FIN. GRADE

NOTES

1. ALL WORK SHOWN WITH "SOLID LINES" DENOTES "PROPOSED AND SHALL BE PROVIDED."
2. ALL WORK SHOWN WITH "DASHED LINES" DENOTES "EXIST'G. TO REMAIN."

PROPOSED PARTIAL ONE LINE DIAGRAM
SCALE: N.T.S.



REFER TO DWG. e4.04 FIN. GRADE

NOTES

1. ALL WORK SHOWN WITH "SOLID LINES" DENOTES "PROPOSED AND SHALL BE PROVIDED."
2. ALL WORK SHOWN WITH "DASHED LINES" DENOTES "EXIST'G. TO REMAIN."

PROPOSED PARTIAL ONE LINE DIAGRAM
SCALE: N.T.S.

consultant

revisions

19013

2022-03-03

project phase

ISSUE date

sheet name

PANELBOARD SCHEDULES

ROBERT A. ROLLEY
 LICENSE
 No 21600
 STATE OF
 FLORIDA
 PROFESSIONAL ENGINEER

FT. MYERS P&DC
 SECURITY UPGRADES

14080 JETPORT LOOP
 FT MYERS, FL 33913

K65332

title

MAG 4 INC

1000 North Ashby Dr | Suite 505 | Tampa, FL 33602
 813.264.4441 | ADMIN@mag4inc.com | (a)2001032